

**OFFICE**  
**FURNITURE**

PRICE LIST

- EXECUTIVE DESKS**
- WORKSTATIONS**
- CONFERENCE TABLES**
- RECEPTION FURNITURE**
- STORAGE CABINETS**
- PEDESTALS**
- SIDEBOARDS & CADDY**

## TABLE OF CONTENTS

<b>Easy Space</b>	<b>1</b>
<b>eModel</b>	<b>51</b>
<b>Play&amp;Work</b>	<b>69</b>
<b>Levitate</b>	<b>143</b>
<b>SQart Workstation</b>	<b>165</b>
<b>SQart Managerial</b>	<b>235</b>
<b>CX 3200</b>	<b>261</b>
<b>Flib</b>	<b>295</b>
<b>eRange</b>	<b>303</b>
<b>Reception furniture</b>	<b>341</b>
Sand	343
Check-In	349
Velum	357
<b>Tento</b>	<b>367</b>
<b>Sileo</b>	<b>375</b>
<b>Formo</b>	<b>393</b>
<b>Electrical sockets</b>	<b>396</b>
<b>Finishes</b>	<b>397</b>
<b>General Business Conditions</b>	<b>413</b>
<b>Cleaning and maintenance</b>	<b>414</b>
<b>Important information about furniture in natural veneer</b>	<b>415</b>

Valid from: **April 2018**

# Easy Space

## TABLE OF CONTENTS

<b>Technical description</b>	<b>3</b>
Desks	4
Conference tables	4
Linking units/additional desks	4
Panels	5
Cabinets	5
Combi cabinet	6
Cabinet + upper cabinet	6
Pedestals	7
Big Orga Tower	7
Mobile sideboard	7
Auxiliary furniture	8
Tables	8
Mobile table	8
<b>Price list</b>	<b>9</b>
Desks	10-17
Conference tables	18-19
Additional desks	20-21
Linking units	22
Panels	23-25
Cabinets	26-41
Pedestals	42-43
Additional elements	44-46
Wire trunking	47-48
Electrical ports	49



# Technical

**description**

# Description

## 1. Desks

Desks come in several shapes and a wide range of dimensions. Tops are made of 25 mm fine chipboard class E1, melamine double-coated.

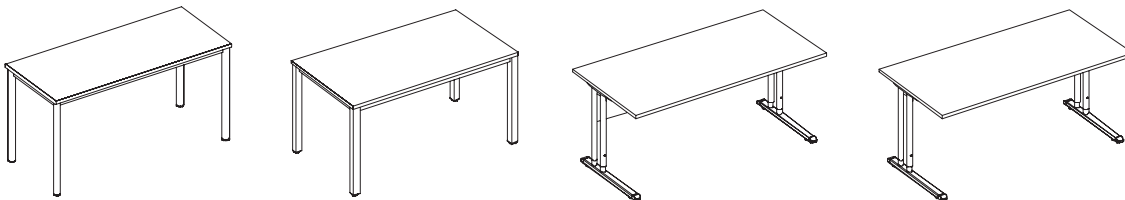
Desks come in 4 types:

- 4-leg desk - square (50 x 50 mm) steel legs. Optionally height adjustable (740-860 mm)
- 4-leg desk - round (Ø 50 mm) steel legs. Optionally height adjustable (740-860 mm)
- C leg desk with a linking panel. Cover panel in

between vertical parts of legs for cable management is optional. The levelling is possible in the range of 10 mm

- C leg desk with a metal bar simultaneously functioning as a horizontal cable conduit. Cover panel in between vertical parts of legs for cable management is optional. Optionally height adjustable version (680-820 mm)

The metal bases can be chromium plated, aluminium, white, black or grey powder coated. C leg comes only in a powder coated version. All the desks can be equipped in horizontal and vertical wire trunking.

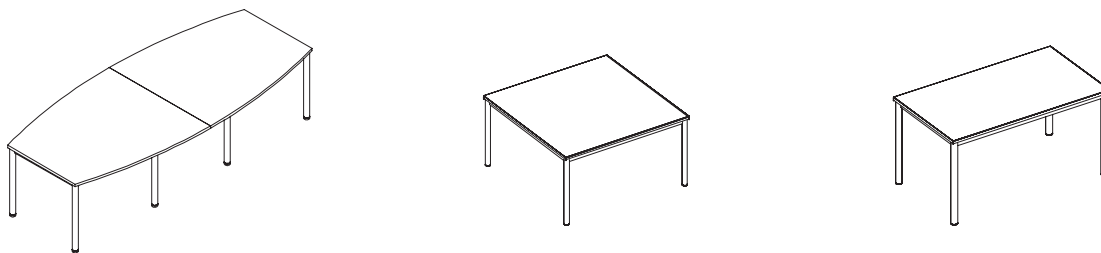


## 2. Conference tables

Shapes and dimensions of conference tables are chosen in order to create many different configurations to fulfil all demands of modern conference rooms or meetings zones.

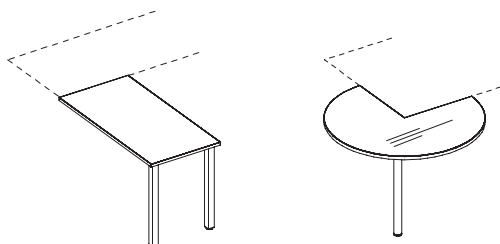
Conference table construction is identical to the desks construction. Tops are made of 25 mm fine chipboard class E1, melaminated double-coated. Rounded, squared legs can be fixed to those tops.

„Barrel” tables with rounded or squared legs optionally can be equipped with a manual height adjustment (740-860 mm). It is possible to use the electrical port as option.



## 3. Linking units/additional desks

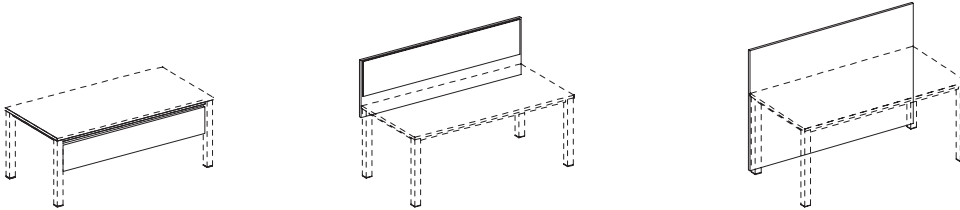
Linking units enable creating individual configurations of workstations. They are made of 25 mm fine chipboard class E1, melamine double-coated. Additional desks enlarge the workspace of a desk and facilitate communication.



## 4. Panels

Table panels are attached to the desks and come as upper, modesty and reception versions. They enlarge the working space on the desk top with an optional pinboard surface and also serve the purpose of visual and acoustic protection.

Modesty panels are made of 18 mm fine chipboard class E1, melaminated double-coated. Upper and reception panels are made of 18 mm fine chipboard class E1, melaminated double-coated. The pinboard surface is made of 8 mm upholstered soft fibreboard.



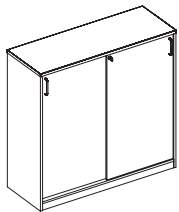
## 5. Cabinets

The carcass is made of 25 and 18 mm fine chipboard class E1, melaminated double-coated. Sliding doors are made of 18 mm fine chipboard class E1, melaminated double-coated. Shelves are made from 18 mm or 25 mm (surcharge) fine chipboard class E1. Optional available also

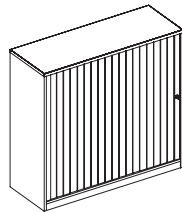
metal shelves (surcharge). Glass doors are made of 6 mm hardened, transparent glass, tambour is made of polypropylene in aluminium colour. Cabinets are available with backs made of double lacquered 2,5 mm HDF board or 12 mm double-coated board. Due to the necessity of assembling

counter-weight drawer cabinet is available with 12 mm back. Cabinets are equipped with handles in the following colours: aluminium, black, white and grey.

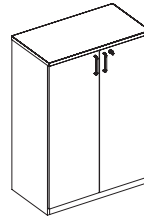
There are several types of cabinets:



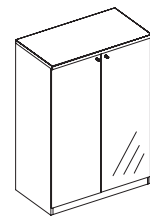
Sliding doors



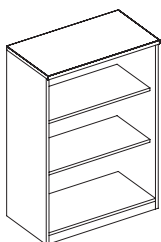
Tambour doors



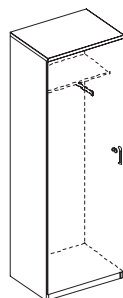
Hinged doors



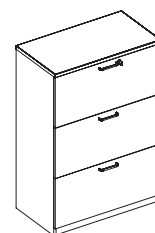
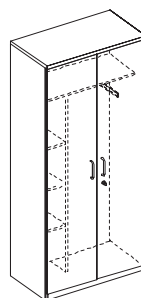
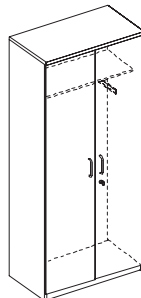
Glass hinged doors



Open cabinets



Wardrobe



Drawer cabinets

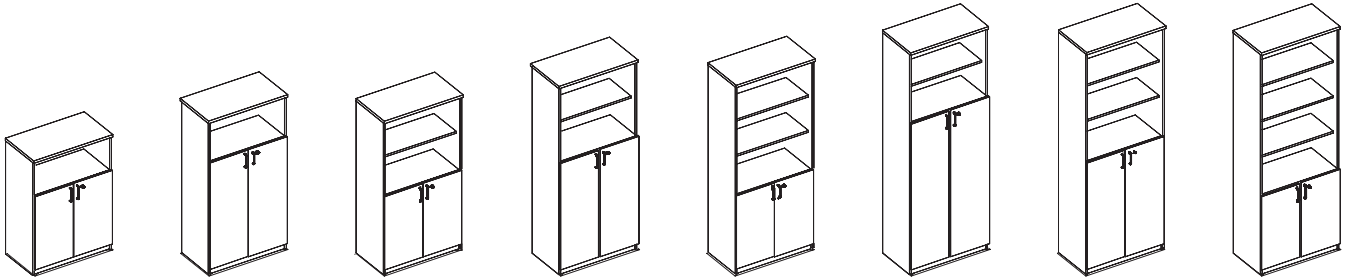
# Description

## 6. Combi cabinet

The carcass is made of 18 mm fine chipboard class E1, melaminated double-coated. The top is made of 25 mm melamine double-faced chipboard, class E1. The cabinets are available

with a back made of 2.5 mm thick HDF board varnished on both sides or 12 mm thick melamine double-faced chipboard. As standard, shelves in the cabinets are made

of 18 mm thick chipboard. The hinged door is made of 18 mm melamine faced chipboard. Handles are available in the following colours: aluminium, black, white and grey.

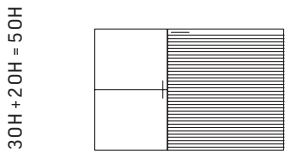
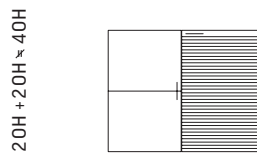
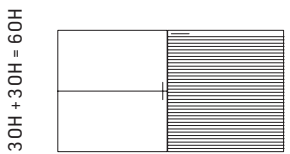
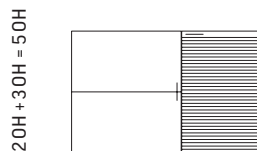
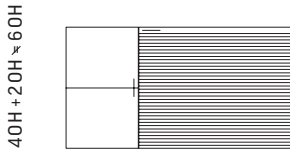


## 7. Cabinet + upper cabinet

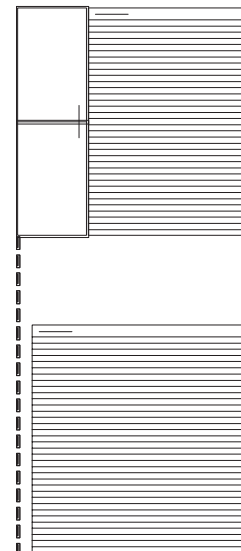
### Please note

When ordering a Easy Space system cabinet and upper cabinet there are three elementary rules to keep in mind:

1. The maximum height of a cabinet + upper cabinet set is 60H.
2. Only an upper cabinet of the same width as the base cabinet can be placed on top of the base cabinet.
3. Not every set of cabinet and upper cabinet is exactly 60H high, which is important when placing such a set next to a cabinet that is 60H high. These disparities are illustrated in the drawing below.



Example of disparity:



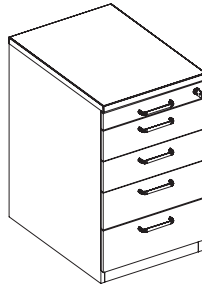
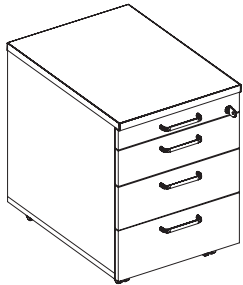
Set maximum: 60H, cabinet minimum: 20H

## 8. Pedestals

Pedestals are available in two variants: mobile pedestals, height 600 mm to be placed under the desk and fixed pedestals, height 740 mm which enlarge the workplace of the desk. All the pedestals have a lock. Pedestals are available in a few configurations of drawers. They are

made of 18 and 25 mm fine chipboard class E1, melamine double - coated. Fronts are made of 18 mm fine chipboard class E1, melamine double - coated. Drawers are available in plastic, metal and chipboard version. In mobile pedestals, two castors are equipped with brakes.

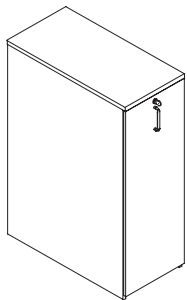
Pedestals are equipped with handles in the following colours: aluminium, black, white and grey. Drawers have an 80% pull-off. Metal drawers with filing frame have an 100% pull-off.



## 9. Big Orga Tower

Big Orga Tower is made of 18 and 25 mm fine chipboard class E1, melamine double-coated. It has 3 internal open shelves, 2 folding keys and depending on the option is available in left or right version. For safety pedestal has a counter-

weight and additional wheel. The leveling is possible in the range of 10 mm. Handles are available in the following colours: aluminium, black, white and grey.



## 10. Mobile sideboard

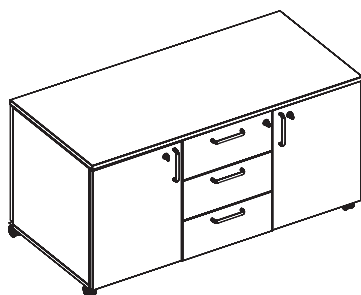
The Easy Space system offers a mobile sideboard available in the following version: 2 x hinged door + 3 x drawer, 600 mm high and 1200 mm wide. The sideboard is equipped with five Ø40 mm castors, including two front castors fitted with a brake. The top is made of 25 mm melamine double-faced chipboard, class E1.

The other structural elements are made of 18 mm thick chipboard, while the back is made of 12 mm thick chipboard.

As standard, drawers have an 80% pull-out. The sideboard is equipped with two types of lock: a square lock for the hinged door and a central lock for drawers. Each lock has a replaceable

insert, two folding keys and the master key system.

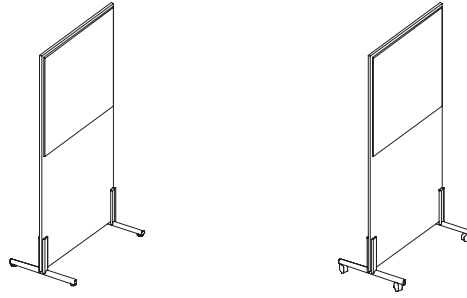
Sideboards are equipped with handles in the following colours: aluminium, black, white and grey.



# Description

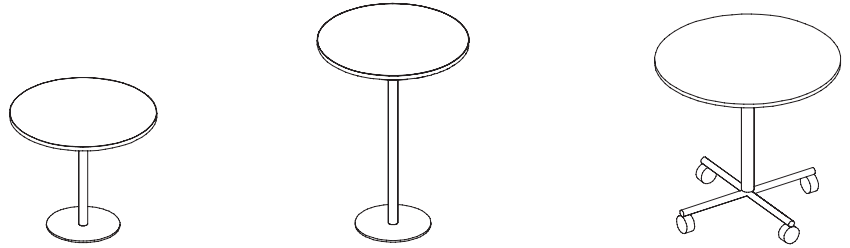
## 11. Auxiliary furniture

Free-standing screens bring visual and acoustic protection. A mobile version on castors is available. They can be non-upholstered, one-sided or double-sided upholstered. They are made of 18 mm chipboard class E1, melamine double-coated. Upholstered free-standing screens have additional 8 mm thick soft fibreboard. They rest on two aluminium powder coated or chromium plated metal feet.



## 12. Tables

Used at meetings in the workstation area or in the communication zones. The top is made of 25 mm fine chipboard class E1, melamine double-coated. The base of the table is made of a powder coated or chromium plated leg attached to a round, cast iron plate. Height: 740 or 1135 mm.



## 13. Mobile table

Used at meetings in the workstation area. The top is made of 25 mm fine chipboard class E1, melamine double-coated. The base of the table is made of a powder coated or chromium plated leg attached to a mobile base. Height: 740 mm.

**Caddy** - mobile, multifunctional furniture for easily accessible storing of documents. It has a lock and two castors with a brake. They are made of 18 mm fine chipboard class E1, double melamine-coated.

The top and base is made of 25 mm fine chipboard class E1, double melamine-coated. Two castors are equipped with a brake. Handles are available in the following colours: aluminium, black, white and grey.



# Price list

## Rectangular desks, height 740 mm

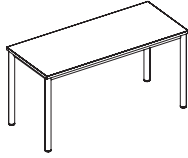
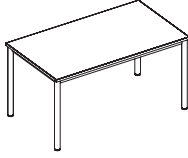
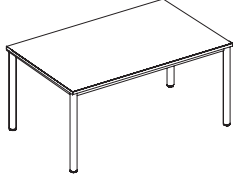
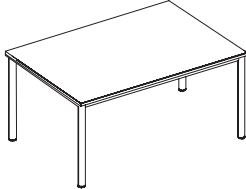
Easy Space

										Legs AL, BI, CZ, GY		Legs CR		
										top 25 mm/melamine + 1				
										<b>Edge 2 mm ABS</b>				
										width		depth 600 mm		
<b>N</b>	Without height adjustment													
<b>H</b>	With height adjustment, surcharge of 21 EUR/desk, range of adjustment 740-860mm													
<b>L</b>	Outlet for cables - left													
<b>R</b>	Outlet for cables - right													
<b>M</b>	Outlet for cables - middle													
<b>N</b>	Without outlet for cables													
<b>W</b>	<b>N</b>	<b>I</b>	<b>R</b>	<b>0</b>	<b>1</b>	<b>N</b>	<b>N</b>	<b>2</b>	<b>N</b>	<b>N</b>	800mm		139	168
<b>W</b>	<b>N</b>	<b>I</b>	<b>R</b>	<b>0</b>	<b>3</b>	<b>N</b>	<b>N</b>	<b>2</b>	<b>N</b>	<b>N</b>	1000mm		151	180
<b>W</b>	<b>N</b>	<b>I</b>	<b>R</b>	<b>0</b>	<b>5</b>	<b>N</b>	<b>N</b>	<b>2</b>	<b>N</b>	<b>N</b>	1200mm		156	186
<b>W</b>	<b>N</b>	<b>I</b>	<b>R</b>	<b>0</b>	<b>7</b>	<b>N</b>	<b>N</b>	<b>2</b>	<b>N</b>	<b>N</b>	1400mm		177	209
<b>W</b>	<b>N</b>	<b>I</b>	<b>R</b>	<b>0</b>	<b>9</b>	<b>N</b>	<b>N</b>	<b>2</b>	<b>N</b>	<b>N</b>	1600mm		181	214
<b>W</b>	<b>N</b>	<b>I</b>	<b>R</b>	<b>1</b>	<b>1</b>	<b>N</b>	<b>N</b>	<b>2</b>	<b>N</b>	<b>N</b>	1800mm		190	222
<b>W</b>	<b>N</b>	<b>I</b>	<b>R</b>	<b>1</b>	<b>3</b>	<b>N</b>	<b>N</b>	<b>2</b>	<b>N</b>	<b>N</b>	2000mm		194	229
										width		depth 800 mm		
<b>W</b>	<b>N</b>	<b>I</b>	<b>R</b>	<b>0</b>	<b>2</b>	<b>N</b>	<b>N</b>	<b>2</b>	<b>N</b>	<b>N</b>	800mm		148	176
<b>W</b>	<b>N</b>	<b>I</b>	<b>R</b>	<b>0</b>	<b>4</b>	<b>N</b>	<b>N</b>	<b>2</b>	<b>N</b>	<b>N</b>	1000mm		163	193
<b>W</b>	<b>N</b>	<b>I</b>	<b>R</b>	<b>0</b>	<b>6</b>	<b>N</b>	<b>N</b>	<b>2</b>	<b>N</b>	<b>N</b>	1200mm		167	198
<b>W</b>	<b>N</b>	<b>I</b>	<b>R</b>	<b>0</b>	<b>8</b>	<b>N</b>	<b>N</b>	<b>2</b>	<b>N</b>	<b>N</b>	1400mm		181	214
<b>W</b>	<b>N</b>	<b>I</b>	<b>R</b>	<b>1</b>	<b>0</b>	<b>N</b>	<b>N</b>	<b>2</b>	<b>N</b>	<b>N</b>	1600mm		186	219
<b>W</b>	<b>N</b>	<b>I</b>	<b>R</b>	<b>1</b>	<b>2</b>	<b>N</b>	<b>N</b>	<b>2</b>	<b>N</b>	<b>N</b>	1800mm		201	236
<b>W</b>	<b>N</b>	<b>I</b>	<b>R</b>	<b>1</b>	<b>4</b>	<b>N</b>	<b>N</b>	<b>2</b>	<b>N</b>	<b>N</b>	2000mm		207	242
										width		depth 900 mm		
<b>W</b>	<b>N</b>	<b>I</b>	<b>R</b>	<b>2</b>	<b>2</b>	<b>N</b>	<b>N</b>	<b>2</b>	<b>N</b>	<b>N</b>	1600mm		201	232
<b>W</b>	<b>N</b>	<b>I</b>	<b>R</b>	<b>2</b>	<b>3</b>	<b>N</b>	<b>N</b>	<b>2</b>	<b>N</b>	<b>N</b>	1800mm		206	240
<b>W</b>	<b>N</b>	<b>I</b>	<b>R</b>	<b>2</b>	<b>4</b>	<b>N</b>	<b>N</b>	<b>2</b>	<b>N</b>	<b>N</b>	2000mm		211	248
										width		depth 1000 mm		
<b>W</b>	<b>N</b>	<b>I</b>	<b>R</b>	<b>2</b>	<b>6</b>	<b>N</b>	<b>N</b>	<b>2</b>	<b>N</b>	<b>N</b>	1600mm		206	240
<b>W</b>	<b>N</b>	<b>I</b>	<b>R</b>	<b>2</b>	<b>7</b>	<b>N</b>	<b>N</b>	<b>2</b>	<b>N</b>	<b>N</b>	1800mm		211	248
<b>W</b>	<b>N</b>	<b>I</b>	<b>R</b>	<b>2</b>	<b>8</b>	<b>N</b>	<b>N</b>	<b>2</b>	<b>N</b>	<b>N</b>	2000mm		216	253

**L** 2 mm laser edge for selected melamine decors:  
NB, NJ, NH, BI, MP, MB – surcharge 25 EUR



## Rectangular desks, height 740 mm

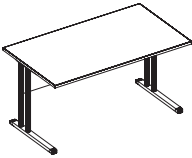
										<b>Legs AL, BI, CZ, GY</b>		<b>Legs CR</b>		
										Top 25 mm/melamine + 1				
										<b>Edge 2 mm ABS</b>				
										width		depth 600 mm		
W	N	I	R	O	1	N	N	1	N	N	800 mm		121	144
W	N	I	R	O	3	N	N	1	N	N	1000 mm		131	157
W	N	I	R	O	5	N	N	1	N	N	1200 mm		135	163
W	N	I	R	O	7	N	N	1	N	N	1400 mm		156	184
W	N	I	R	O	9	N	N	1	N	N	1600 mm		160	190
W	N	I	R	1	1	N	N	1	N	N	1800 mm		168	197
W	N	I	R	1	3	N	N	1	N	N	2000 mm		172	202
										width		depth 800 mm		
W	N	I	R	O	2	N	N	1	N	N	800 mm		128	152
W	N	I	R	O	4	N	N	1	N	N	1000 mm		142	168
W	N	I	R	O	6	N	N	1	N	N	1200 mm		146	173
W	N	I	R	O	8	N	N	1	N	N	1400 mm		161	190
W	N	I	R	1	0	N	N	1	N	N	1600 mm		165	195
W	N	I	R	1	2	N	N	1	N	N	1800 mm		179	210
W	N	I	R	1	4	N	N	1	N	N	2000 mm		184	216
										width		depth 900 mm		
W	N	I	R	2	2	N	N	1	N	N	1600 mm		180	211
W	N	I	R	2	3	N	N	1	N	N	1800 mm		185	219
W	N	I	R	2	4	N	N	1	N	N	2000 mm		191	228
										width		depth 1000 mm		
W	N	I	R	2	6	N	N	1	N	N	1600 mm		185	219
W	N	I	R	2	7	N	N	1	N	N	1800 mm		191	228
W	N	I	R	2	8	N	N	1	N	N	2000 mm		196	236

**L** 2 mm laser edge for selected melamine decors:  
NB, NJ, NH, BI, MP, MB - surcharge 25 EUR

# Desks

Rectangular desks, height 740 mm,  
C leg with linking panel without height adjustment

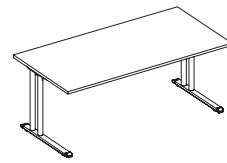
Easy Space

										<b>Legs AL, BI</b>			
										Top 25 mm/melamine + 1			
										<b>Edge 2 mm ABS</b>			
										<b>width</b>		<b>depth 800 mm</b>	
<b>W</b>	<b>N</b>	<b>I</b>	<b>R</b>	<b>0</b>	<b>2</b>	<b>N</b>	<b>N</b>	<b>3</b>	<b>N</b>	<b>N</b>	800 mm	 <p><b>C legs</b></p>	137
<b>W</b>	<b>N</b>	<b>I</b>	<b>R</b>	<b>0</b>	<b>4</b>	<b>N</b>	<b>N</b>	<b>3</b>	<b>N</b>	<b>N</b>	1000 mm		149
<b>W</b>	<b>N</b>	<b>I</b>	<b>R</b>	<b>0</b>	<b>6</b>	<b>N</b>	<b>N</b>	<b>3</b>	<b>N</b>	<b>N</b>	1200 mm		151
<b>W</b>	<b>N</b>	<b>I</b>	<b>R</b>	<b>0</b>	<b>8</b>	<b>N</b>	<b>N</b>	<b>3</b>	<b>N</b>	<b>N</b>	1400 mm		165
<b>W</b>	<b>N</b>	<b>I</b>	<b>R</b>	<b>1</b>	<b>0</b>	<b>N</b>	<b>N</b>	<b>3</b>	<b>N</b>	<b>N</b>	1600 mm		168
<b>W</b>	<b>N</b>	<b>I</b>	<b>R</b>	<b>1</b>	<b>2</b>	<b>N</b>	<b>N</b>	<b>3</b>	<b>N</b>	<b>N</b>	1800 mm		179
<b>W</b>	<b>N</b>	<b>I</b>	<b>R</b>	<b>1</b>	<b>4</b>	<b>N</b>	<b>N</b>	<b>3</b>	<b>N</b>	<b>N</b>	2000 mm		182

**L** 2 mm laser edge for selected melamine decors:  
NB, NJ, NH, BI, MP, MB – surcharge 25 EUR

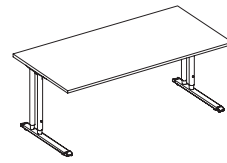
Rectangular desks, height 740 mm,  
C leg with metal beam without height adjustment

										<b>Legs AL, BI</b>		
										Top 25 mm/melamine + 1		
										<b>Edge 2 mm ABS</b>		
										<b>width</b>	<b>depth 600 mm</b>	
<b>L</b>	Outlet for cables - left											
<b>R</b>	Outlet for cables - right											
<b>M</b>	Outlet for cables - middle											
<b>N</b>	Without outlet for cables											
<b>W</b>	<b>N</b>	<b>I</b>	<b>R</b>	<b>0</b>	<b>1</b>	<b>N</b>	<b>N</b>	<b>5</b>	<b>N</b>	<b>N</b>	800 mm	139
<b>W</b>	<b>N</b>	<b>I</b>	<b>R</b>	<b>0</b>	<b>3</b>	<b>N</b>	<b>N</b>	<b>5</b>	<b>N</b>	<b>N</b>	1000 mm	148
<b>W</b>	<b>N</b>	<b>I</b>	<b>R</b>	<b>0</b>	<b>5</b>	<b>N</b>	<b>N</b>	<b>5</b>	<b>N</b>	<b>N</b>	1200 mm	154
<b>W</b>	<b>N</b>	<b>I</b>	<b>R</b>	<b>0</b>	<b>7</b>	<b>N</b>	<b>N</b>	<b>5</b>	<b>N</b>	<b>N</b>	1400 mm	173
<b>W</b>	<b>N</b>	<b>I</b>	<b>R</b>	<b>0</b>	<b>9</b>	<b>N</b>	<b>N</b>	<b>5</b>	<b>N</b>	<b>N</b>	1600 mm	179
<b>W</b>	<b>N</b>	<b>I</b>	<b>R</b>	<b>1</b>	<b>1</b>	<b>N</b>	<b>N</b>	<b>5</b>	<b>N</b>	<b>N</b>	1800 mm	187
<b>W</b>	<b>N</b>	<b>I</b>	<b>R</b>	<b>1</b>	<b>3</b>	<b>N</b>	<b>N</b>	<b>5</b>	<b>N</b>	<b>N</b>	2000 mm	193



**C legs**

										<b>width</b>	<b>depth 800 mm</b>	
<b>W</b>	<b>N</b>	<b>I</b>	<b>R</b>	<b>0</b>	<b>2</b>	<b>N</b>	<b>N</b>	<b>5</b>	<b>N</b>	<b>N</b>	800 mm	148
<b>W</b>	<b>N</b>	<b>I</b>	<b>R</b>	<b>0</b>	<b>4</b>	<b>N</b>	<b>N</b>	<b>5</b>	<b>N</b>	<b>N</b>	1000 mm	159
<b>W</b>	<b>N</b>	<b>I</b>	<b>R</b>	<b>0</b>	<b>6</b>	<b>N</b>	<b>N</b>	<b>5</b>	<b>N</b>	<b>N</b>	1200 mm	166
<b>W</b>	<b>N</b>	<b>I</b>	<b>R</b>	<b>0</b>	<b>8</b>	<b>N</b>	<b>N</b>	<b>5</b>	<b>N</b>	<b>N</b>	1400 mm	178
<b>W</b>	<b>N</b>	<b>I</b>	<b>R</b>	<b>1</b>	<b>0</b>	<b>N</b>	<b>N</b>	<b>5</b>	<b>N</b>	<b>N</b>	1600 mm	185
<b>W</b>	<b>N</b>	<b>I</b>	<b>R</b>	<b>1</b>	<b>2</b>	<b>N</b>	<b>N</b>	<b>5</b>	<b>N</b>	<b>N</b>	1800 mm	201
<b>W</b>	<b>N</b>	<b>I</b>	<b>R</b>	<b>1</b>	<b>4</b>	<b>N</b>	<b>N</b>	<b>5</b>	<b>N</b>	<b>N</b>	2000 mm	207

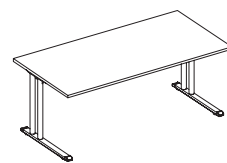


**C legs**

**L** 2 mm laser edge for selected melamine decors:  
NB, NJ, NH, BI, MP, MB - surcharge 25 EUR

C leg with metal beam with height adjustment,  
range of adjustment 680-820 mm

										<b>width</b>	<b>depth 800 mm</b>	
<b>L</b>	Outlet for cables - left											
<b>R</b>	Outlet for cables - right											
<b>M</b>	Outlet for cables - middle											
<b>N</b>	Without outlet for cables											
<b>W</b>	<b>N</b>	<b>I</b>	<b>R</b>	<b>0</b>	<b>2</b>	<b>H</b>	<b>N</b>	<b>5</b>	<b>N</b>	<b>N</b>	800 mm	193
<b>W</b>	<b>N</b>	<b>I</b>	<b>R</b>	<b>0</b>	<b>4</b>	<b>H</b>	<b>N</b>	<b>5</b>	<b>N</b>	<b>N</b>	1000 mm	203
<b>W</b>	<b>N</b>	<b>I</b>	<b>R</b>	<b>0</b>	<b>6</b>	<b>H</b>	<b>N</b>	<b>5</b>	<b>N</b>	<b>N</b>	1200 mm	210
<b>W</b>	<b>N</b>	<b>I</b>	<b>R</b>	<b>0</b>	<b>8</b>	<b>H</b>	<b>N</b>	<b>5</b>	<b>N</b>	<b>N</b>	1400 mm	222
<b>W</b>	<b>N</b>	<b>I</b>	<b>R</b>	<b>1</b>	<b>0</b>	<b>H</b>	<b>N</b>	<b>5</b>	<b>N</b>	<b>N</b>	1600 mm	230
<b>W</b>	<b>N</b>	<b>I</b>	<b>R</b>	<b>1</b>	<b>2</b>	<b>H</b>	<b>N</b>	<b>5</b>	<b>N</b>	<b>N</b>	1800 mm	245
<b>W</b>	<b>N</b>	<b>I</b>	<b>R</b>	<b>1</b>	<b>4</b>	<b>H</b>	<b>N</b>	<b>5</b>	<b>N</b>	<b>N</b>	2000 mm	251



**C leg**

**L** 2 mm laser edge for selected melamine decors:  
NB, NJ, NH, BI, MP, MB - surcharge 25 EUR

## L-shape desks 600/600 mm, height 740 mm

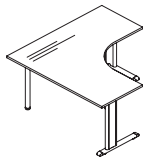
										width		600/600 mm																	
												<table border="1"> <thead> <tr> <th>Legs AL, BI, CZ, GY</th> <th>Legs CR</th> </tr> </thead> <tbody> <tr> <td colspan="2">Top 25 mm/melamine + 1</td> </tr> <tr> <td colspan="2">Edge 2 mm ABS</td> </tr> <tr> <td>202</td> <td>237</td> </tr> <tr> <td>263</td> <td>298</td> </tr> <tr> <td>262</td> <td>298</td> </tr> <tr> <td>266</td> <td>303</td> </tr> <tr> <td>271</td> <td>307</td> </tr> </tbody> </table>		Legs AL, BI, CZ, GY	Legs CR	Top 25 mm/melamine + 1		Edge 2 mm ABS		202	237	263	298	262	298	266	303	271	307
Legs AL, BI, CZ, GY	Legs CR																												
Top 25 mm/melamine + 1																													
Edge 2 mm ABS																													
202	237																												
263	298																												
262	298																												
266	303																												
271	307																												
<b>N</b>	Without height adjustment																												
<b>H</b>	With height adjustment, surcharge of 26 EUR / desk, range of adjustment 740-860 mm																												
<b>L</b>	Outlet for cables - left																												
<b>R</b>	Outlet for cables - right																												
<b>M</b>	Outlet for cables - middle																												
<b>N</b>	Without outlet for cables																												
<b>L</b>	<b>W</b>	<b>N</b>	<b>I</b>	<b>L</b>	<b>O</b>	<b>1</b>	<b>N</b>	<b>N</b>	<b>1</b>	<b>N</b>	<b>L</b>	1200 × 1200 mm	<p><b>round legs</b></p>																
	<b>W</b>	<b>N</b>	<b>I</b>	<b>L</b>	<b>O</b>	<b>2</b>	<b>N</b>	<b>N</b>	<b>1</b>	<b>N</b>	<b>L</b>	1400 × 1400 mm																	
	<b>W</b>	<b>N</b>	<b>I</b>	<b>L</b>	<b>O</b>	<b>3</b>	<b>N</b>	<b>N</b>	<b>1</b>	<b>N</b>	<b>L</b>	1600 × 1200 mm																	
	<b>W</b>	<b>N</b>	<b>I</b>	<b>L</b>	<b>O</b>	<b>4</b>	<b>N</b>	<b>N</b>	<b>1</b>	<b>N</b>	<b>L</b>	1600 × 1400 mm																	
	<b>W</b>	<b>N</b>	<b>I</b>	<b>L</b>	<b>O</b>	<b>5</b>	<b>N</b>	<b>N</b>	<b>1</b>	<b>N</b>	<b>L</b>	1600 × 1600 mm																	
<b>L</b>	2 mm laser edge for selected melamine decors: NB, NJ, NH, BI, MP, MB - surcharge 25 EUR											<b>L</b>	Left version																
												<b>R</b>	Right version																

Left version on the drawing

										width		600/600 mm																	
												<table border="1"> <thead> <tr> <th>Legs AL, BI, CZ, GY</th> <th>Legs CR</th> </tr> </thead> <tbody> <tr> <td colspan="2">Top 25 mm/melamine + 1</td> </tr> <tr> <td colspan="2">Edge 2 mm ABS</td> </tr> <tr> <td>220</td> <td>259</td> </tr> <tr> <td>281</td> <td>320</td> </tr> <tr> <td>280</td> <td>319</td> </tr> <tr> <td>285</td> <td>324</td> </tr> <tr> <td>289</td> <td>330</td> </tr> </tbody> </table>		Legs AL, BI, CZ, GY	Legs CR	Top 25 mm/melamine + 1		Edge 2 mm ABS		220	259	281	320	280	319	285	324	289	330
Legs AL, BI, CZ, GY	Legs CR																												
Top 25 mm/melamine + 1																													
Edge 2 mm ABS																													
220	259																												
281	320																												
280	319																												
285	324																												
289	330																												
<b>N</b>	Without height adjustment																												
<b>H</b>	With height adjustment, surcharge of 26 EUR / desk, range of adjustment 740-860 mm																												
<b>L</b>	Outlet for cables - left																												
<b>R</b>	Outlet for cables - right																												
<b>M</b>	Outlet for cables - middle																												
<b>N</b>	Without outlet for cables																												
<b>L</b>	<b>W</b>	<b>N</b>	<b>I</b>	<b>L</b>	<b>O</b>	<b>1</b>	<b>N</b>	<b>N</b>	<b>2</b>	<b>N</b>	<b>L</b>	1200 × 1200 mm	<p><b>square legs</b></p>																
	<b>W</b>	<b>N</b>	<b>I</b>	<b>L</b>	<b>O</b>	<b>2</b>	<b>N</b>	<b>N</b>	<b>2</b>	<b>N</b>	<b>L</b>	1400 × 1400 mm																	
	<b>W</b>	<b>N</b>	<b>I</b>	<b>L</b>	<b>O</b>	<b>3</b>	<b>N</b>	<b>N</b>	<b>2</b>	<b>N</b>	<b>L</b>	1600 × 1200 mm																	
	<b>W</b>	<b>N</b>	<b>I</b>	<b>L</b>	<b>O</b>	<b>4</b>	<b>N</b>	<b>N</b>	<b>2</b>	<b>N</b>	<b>L</b>	1600 × 1400 mm																	
	<b>W</b>	<b>N</b>	<b>I</b>	<b>L</b>	<b>O</b>	<b>5</b>	<b>N</b>	<b>N</b>	<b>2</b>	<b>N</b>	<b>L</b>	1600 × 1600 mm																	
<b>L</b>	2 mm laser edge for selected melamine decors: NB, NJ, NH, BI, MP, MB - surcharge 25 EUR											<b>L</b>	Left version																
												<b>R</b>	Right version																

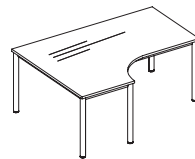
Left version on the drawing

L-shape desks 600/600 mm, height 740 mm  
C leg with metal beam without height adjustment

										<b>Legs AL, BI</b>		
										Top 25 mm/melamine + 1		
										<b>Edge 2 mm ABS</b>		
			<b>L</b>	Outlet for cables - left								
			<b>R</b>	Outlet for cables - right								
			<b>M</b>	Outlet for cables - middle								
			<b>N</b>	Without outlet for cables								
										<b>width</b>		
										<b>600/600 mm</b>		
<b>W</b>	<b>N</b>	<b>I</b>	<b>L</b>	<b>O</b>	<b>1</b>	<b>N</b>	<b>N</b>	<b>5</b>	<b>N</b>	<b>L</b>	1200 x 1200 mm	
<b>W</b>	<b>N</b>	<b>I</b>	<b>L</b>	<b>O</b>	<b>2</b>	<b>N</b>	<b>N</b>	<b>5</b>	<b>N</b>	<b>L</b>	1400 x 1400 mm	
<b>W</b>	<b>N</b>	<b>I</b>	<b>L</b>	<b>O</b>	<b>3</b>	<b>N</b>	<b>N</b>	<b>5</b>	<b>N</b>	<b>L</b>	1600 x 1200 mm	
<b>W</b>	<b>N</b>	<b>I</b>	<b>L</b>	<b>O</b>	<b>4</b>	<b>N</b>	<b>N</b>	<b>5</b>	<b>N</b>	<b>L</b>	1600 x 1400 mm	
<b>W</b>	<b>N</b>	<b>I</b>	<b>L</b>	<b>O</b>	<b>5</b>	<b>N</b>	<b>N</b>	<b>5</b>	<b>N</b>	<b>L</b>	1600 x 1600 mm	
												
										<b>C legs</b>		
										221		
										286		
										283		
										290		
										297		
										Left version on the drawing		
<b>L</b>	2 mm laser edge for selected melamine decors: NB, NJ, NH, BI, MP, MB - surcharge 25 EUR									<b>L</b>	Left version	
										<b>R</b>	Right version	

## L-shape desks 800/600 mm, height 740 mm

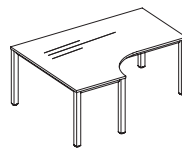
										Legs AL, BI, CZ, GY		Legs CR	
										Top 25 mm/melamine + 1			
										<b>Edge 2 mm ABS</b>			
										<b>width 800/600 mm</b>			
<b>N</b>	Without height adjustment												
<b>H</b>	With height adjustment, surcharge of 26 EUR / desk, range of adjustment 740-860 mm												
<b>L</b>	Outlet for cables - left												
<b>R</b>	Outlet for cables - right												
<b>M</b>	Outlet for cables - middle												
<b>N</b>	Without outlet for cables												
<b>W</b>	<b>N</b>	<b>I</b>	<b>L</b>	<b>1</b>	<b>2</b>	<b>N</b>	<b>N</b>	<b>1</b>	<b>N</b>	<b>L</b>	1600 × 1200 mm	263	299
<b>W</b>	<b>N</b>	<b>I</b>	<b>L</b>	<b>1</b>	<b>3</b>	<b>N</b>	<b>N</b>	<b>1</b>	<b>N</b>	<b>L</b>	1600 × 1400 mm	268	304
<b>W</b>	<b>N</b>	<b>I</b>	<b>L</b>	<b>1</b>	<b>4</b>	<b>N</b>	<b>N</b>	<b>1</b>	<b>N</b>	<b>L</b>	1600 × 1600 mm	272	308
<b>W</b>	<b>N</b>	<b>I</b>	<b>L</b>	<b>1</b>	<b>5</b>	<b>N</b>	<b>N</b>	<b>1</b>	<b>N</b>	<b>L</b>	1800 × 1200 mm	268	305
<b>W</b>	<b>N</b>	<b>I</b>	<b>L</b>	<b>1</b>	<b>6</b>	<b>N</b>	<b>N</b>	<b>1</b>	<b>N</b>	<b>L</b>	1800 × 1400 mm	281	315
<b>W</b>	<b>N</b>	<b>I</b>	<b>L</b>	<b>1</b>	<b>7</b>	<b>N</b>	<b>N</b>	<b>1</b>	<b>N</b>	<b>L</b>	1800 × 1600 mm	285	323
<b>L</b>	2 mm laser edge for selected melamine decors: NB, NJ, NH, BI, MP, MB - surcharge 25 EUR									<b>L</b>	Left version		
										<b>R</b>	Right version		



round legs

Left version on the drawing

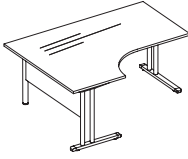
										Legs AL, BI, CZ, GY		Legs CR	
										Top 25 mm/melamine + 1			
										<b>Edge 2 mm ABS</b>			
										<b>width 800/600 mm</b>			
<b>N</b>	Without height adjustment												
<b>H</b>	With height adjustment, surcharge of 26 EUR / desk, range of adjustment 740-860 mm												
<b>L</b>	Outlet for cables - left												
<b>R</b>	Outlet for cables - right												
<b>M</b>	Outlet for cables - middle												
<b>N</b>	Without outlet for cables												
<b>W</b>	<b>N</b>	<b>I</b>	<b>L</b>	<b>1</b>	<b>2</b>	<b>N</b>	<b>N</b>	<b>2</b>	<b>N</b>	<b>L</b>	1600 × 1200 mm	281	320
<b>W</b>	<b>N</b>	<b>I</b>	<b>L</b>	<b>1</b>	<b>3</b>	<b>N</b>	<b>N</b>	<b>2</b>	<b>N</b>	<b>L</b>	1600 × 1400 mm	286	327
<b>W</b>	<b>N</b>	<b>I</b>	<b>L</b>	<b>1</b>	<b>4</b>	<b>N</b>	<b>N</b>	<b>2</b>	<b>N</b>	<b>L</b>	1600 × 1600 mm	289	331
<b>W</b>	<b>N</b>	<b>I</b>	<b>L</b>	<b>1</b>	<b>5</b>	<b>N</b>	<b>N</b>	<b>2</b>	<b>N</b>	<b>L</b>	1800 × 1200 mm	287	328
<b>W</b>	<b>N</b>	<b>I</b>	<b>L</b>	<b>1</b>	<b>6</b>	<b>N</b>	<b>N</b>	<b>2</b>	<b>N</b>	<b>L</b>	1800 × 1400 mm	300	338
<b>W</b>	<b>N</b>	<b>I</b>	<b>L</b>	<b>1</b>	<b>7</b>	<b>N</b>	<b>N</b>	<b>2</b>	<b>N</b>	<b>L</b>	1800 × 1600 mm	304	345
<b>L</b>	2 mm laser edge for selected melamine decors: NB, NJ, NH, BI, MP, MB - surcharge 25 EUR									<b>L</b>	Left version		
										<b>R</b>	Right version		



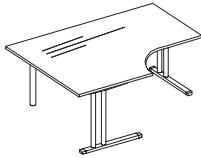
square legs

Left version on the drawing

L-shape desks 800/600 mm, height 740 mm,  
C leg with linking panel without height adjustment

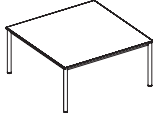
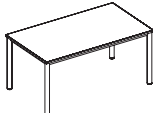
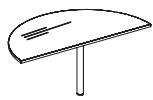
										<b>width</b>		<b>800/600 mm</b>		<b>Legs AL, BI</b>	
														Top 25 mm/melamine + 1	
														<b>Edge 2 mm ABS</b>	
<b>L</b>	Outlet for cables - left														
<b>R</b>	Outlet for cables - right														
<b>M</b>	Outlet for cables - middle														
<b>N</b>	Without outlet for cables														
<b>W</b>	<b>N</b>	<b>I</b>	<b>L</b>	<b>1</b>	<b>2</b>	<b>N</b>	<b>N</b>	<b>3</b>	<b>N</b>	<b>L</b>	1600 × 1200 mm	 <p><b>C legs</b></p>	268		
<b>W</b>	<b>N</b>	<b>I</b>	<b>L</b>	<b>1</b>	<b>3</b>	<b>N</b>	<b>N</b>	<b>3</b>	<b>N</b>	<b>L</b>	1600 × 1400 mm		274		
<b>W</b>	<b>N</b>	<b>I</b>	<b>L</b>	<b>1</b>	<b>4</b>	<b>N</b>	<b>N</b>	<b>3</b>	<b>N</b>	<b>L</b>	1600 × 1600 mm		278		
<b>W</b>	<b>N</b>	<b>I</b>	<b>L</b>	<b>1</b>	<b>5</b>	<b>N</b>	<b>N</b>	<b>3</b>	<b>N</b>	<b>L</b>	1800 × 1200 mm		277		
<b>W</b>	<b>N</b>	<b>I</b>	<b>L</b>	<b>1</b>	<b>6</b>	<b>N</b>	<b>N</b>	<b>3</b>	<b>N</b>	<b>L</b>	1800 × 1400 mm		288		
<b>W</b>	<b>N</b>	<b>I</b>	<b>L</b>	<b>1</b>	<b>7</b>	<b>N</b>	<b>N</b>	<b>3</b>	<b>N</b>	<b>L</b>	1800 × 1600 mm		294		
<b>L</b>	2 mm laser edge for selected melamine decors: NB, NJ, NH, BI, MP, MB - surcharge 25 EUR									<b>L</b>	Left version			Left version on the drawing	
										<b>R</b>	Right version				

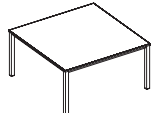
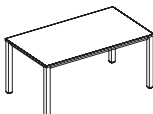
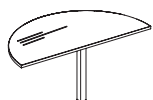
L-shape desks 800/600 mm, height 740 mm,  
C leg with metal beam without height adjustment




										<b>width</b>		<b>800/600 mm</b>		<b>Legs AL, BI</b>	
														Top 25 mm/melamine + 1	
														<b>Edge 2 mm ABS</b>	
<b>L</b>	Outlet for cables - left														
<b>R</b>	Outlet for cables - right														
<b>M</b>	Outlet for cables - middle														
<b>N</b>	Without outlet for cables														
<b>W</b>	<b>N</b>	<b>I</b>	<b>L</b>	<b>1</b>	<b>2</b>	<b>N</b>	<b>N</b>	<b>5</b>	<b>N</b>	<b>L</b>	1600 × 1200 mm	 <p><b>C legs</b></p>	284		
<b>W</b>	<b>N</b>	<b>I</b>	<b>L</b>	<b>1</b>	<b>3</b>	<b>N</b>	<b>N</b>	<b>5</b>	<b>N</b>	<b>L</b>	1600 × 1400 mm		294		
<b>W</b>	<b>N</b>	<b>I</b>	<b>L</b>	<b>1</b>	<b>4</b>	<b>N</b>	<b>N</b>	<b>5</b>	<b>N</b>	<b>L</b>	1600 × 1600 mm		298		
<b>W</b>	<b>N</b>	<b>I</b>	<b>L</b>	<b>1</b>	<b>5</b>	<b>N</b>	<b>N</b>	<b>5</b>	<b>N</b>	<b>L</b>	1800 × 1200 mm		290		
<b>W</b>	<b>N</b>	<b>I</b>	<b>L</b>	<b>1</b>	<b>6</b>	<b>N</b>	<b>N</b>	<b>5</b>	<b>N</b>	<b>L</b>	1800 × 1400 mm		307		
<b>W</b>	<b>N</b>	<b>I</b>	<b>L</b>	<b>1</b>	<b>7</b>	<b>N</b>	<b>N</b>	<b>5</b>	<b>N</b>	<b>L</b>	1800 × 1600 mm		311		
<b>L</b>	2 mm laser edge for selected melamine decors: NB, NJ, NH, BI, MP, MB - surcharge 25 EUR									<b>L</b>	Left version			Left version on the drawing	
										<b>R</b>	Right version				

# Conference tables

Conference tables, height 740 mm

						Legs AL, BI, CZ, GY	Legs CR
						Top 25 mm/melamine + 1	
						Edge 2 mm ABS	
				dimensions	round leg		
W	N	I	K A 1	1400 × 1400 mm		236	271
W	N	I	K B 1	1400 × 700 mm		166	195
W	N	I	K D 1	Ø 1400 mm additional table		88	89

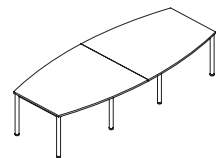
				dimensions	square leg		
W	N	I	K A 2	1400 × 1400 mm		250	286
W	N	I	K B 2	1400 × 700 mm		179	212
W	N	I	K D 2	Ø 1400 mm additional table		93	95

						Base AL/leg AL	Base AL/Leg CR
						Top 25 mm/melamine + 1	
				dimensions			
W	N	I	M T O 8 L	Ø 800 mm h 740 mm		145	147
W	N	I	M T O 8 H	Ø 800 mm h 1135 mm		152	157
						Base AL/leg AL	base CR/Leg CR
W	N	I	T M O 8 L	Ø 800 mm h 740 mm		99	106

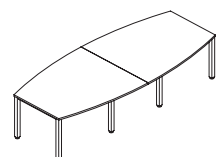
**L** 2 mm laser edge for selected melamine decors:  
NB, NJ, NH, BI, MP, MB – surcharge 25 EUR



## Conference tables – top “barrel”, height 740 mm, round leg

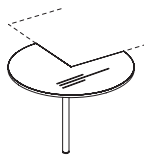
										Legs AL, BI, CZ, GY		Legs CR		
										Top 25 mm/melamine + 1				
														
<b>N</b>	Without outlet for cables/electrical port													
<b>P</b>	Outlet for cables													
<b>E</b>	Outlet for electrical port													
<b>N</b>	Without outlet for electrical port													
<b>A</b>	Outlet for <b>IB CONNECT</b> electrical port*													
<b>dimensions</b>														
<b>W</b>	<b>N</b>	<b>I</b>	<b>K</b>	<b>E</b>	<b>1</b>	<b>N</b>	<b>N</b>	<b>N</b>	<b>N</b>	2000 × 1200/800 mm	4 legs	263	313	
<b>W</b>	<b>N</b>	<b>I</b>	<b>K</b>	<b>F</b>	<b>1</b>	<b>N</b>	<b>N</b>	<b>N</b>	<b>N</b>	2400 × 1200/800 mm	8 legs	384	470	
<b>W</b>	<b>N</b>	<b>I</b>	<b>K</b>	<b>G</b>	<b>1</b>	<b>N</b>	<b>N</b>	<b>N</b>	<b>N</b>	2800 × 1200/800 mm	8 legs	495	581	
<b>W</b>	<b>N</b>	<b>I</b>	<b>K</b>	<b>H</b>	<b>1</b>	<b>N</b>	<b>N</b>	<b>N</b>	<b>N</b>	3200 × 1400/1000 mm	8 legs	519	609	
<b>W</b>	<b>N</b>	<b>I</b>	<b>K</b>	<b>I</b>	<b>1</b>	<b>N</b>	<b>N</b>	<b>N</b>	<b>N</b>	3600 × 1400/1000 mm	8 legs	534	623	
<b>W</b>	<b>N</b>	<b>I</b>	<b>K</b>	<b>J</b>	<b>1</b>	<b>N</b>	<b>N</b>	<b>N</b>	<b>N</b>	4000 × 1400/1000 mm	8 legs	555	645	
<b>L</b>	2 mm laser edge for selected melamine decors: NB, NJ, NH, BI, MP, MB – surcharge 25 EUR									<b>N</b>	Without height adjustment			*Electrical port and the price available on page 49
										<b>H</b>	With range of adjustment 740–860 mm height adjustment, surcharge 21 EUR/table with 4 legs, 42 EUR/table with 8 legs			
										<b>N</b>	Without outlet for cables/electrical port			
										<b>M</b>	Outlet for cables/electrical port – middle			
										<b>D</b>	Outlet for cables/electrical port – left + right			

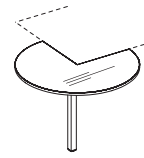
## Conference tables – top “barrel”, height 740 mm, square leg

										Legs AL, BI, CZ, GY		Legs CR		
										Top 25 mm/melamine + 1				
														
<b>N</b>	Without outlet for cables/electrical port													
<b>P</b>	Outlet for cables													
<b>E</b>	Outlet for electrical port													
<b>N</b>	Without outlet for electrical port													
<b>A</b>	Outlet for <b>IB CONNECT</b> electrical port*													
<b>dimensions</b>														
<b>W</b>	<b>N</b>	<b>I</b>	<b>K</b>	<b>E</b>	<b>2</b>	<b>N</b>	<b>N</b>	<b>N</b>	<b>N</b>	2000 × 1200/800 mm	4 legs	275	319	
<b>W</b>	<b>N</b>	<b>I</b>	<b>K</b>	<b>F</b>	<b>2</b>	<b>N</b>	<b>N</b>	<b>N</b>	<b>N</b>	2400 × 1200/800 mm	8 legs	410	481	
<b>W</b>	<b>N</b>	<b>I</b>	<b>K</b>	<b>G</b>	<b>2</b>	<b>N</b>	<b>N</b>	<b>N</b>	<b>N</b>	2800 × 1200/800 mm	8 legs	521	592	
<b>W</b>	<b>N</b>	<b>I</b>	<b>K</b>	<b>H</b>	<b>2</b>	<b>N</b>	<b>N</b>	<b>N</b>	<b>N</b>	3200 × 1400/1000 mm	8 legs	545	621	
<b>W</b>	<b>N</b>	<b>I</b>	<b>K</b>	<b>I</b>	<b>2</b>	<b>N</b>	<b>N</b>	<b>N</b>	<b>N</b>	3600 × 1400/1000 mm	8 legs	558	634	
<b>W</b>	<b>N</b>	<b>I</b>	<b>K</b>	<b>J</b>	<b>2</b>	<b>N</b>	<b>N</b>	<b>N</b>	<b>N</b>	4000 × 1400/1000 mm	8 legs	580	656	
<b>L</b>	2 mm laser edge for selected melamine decors: NB, NJ, NH, BI, MP, MB – surcharge 25 EUR									<b>N</b>	Without height adjustment			*Electrical port and the price available on page 49
										<b>H</b>	With range of adjustment 740–860 mm height adjustment, surcharge 21 EUR/table with 4 legs, 42 EUR/table with 8 legs			
										<b>N</b>	Without outlet for cables/electrical port			
										<b>M</b>	Outlet for cables/electrical port – middle			
										<b>D</b>	Outlet for cables/electrical port – left + right			

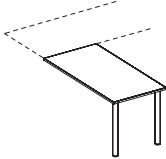
# Additional desks

## Additional desk – 3/4 circle, height 740 mm

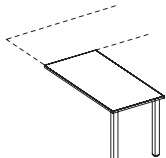
										<b>N</b>	Without height adjustment			<b>Leg AL, BI, CZ, GY</b>	<b>Leg CR</b>
										<b>H</b>	With height adjustment, surcharge of 6 EUR range of adjustment 740–860 mm			Top 25 mm/melamine + 1	
										<b>dimensions</b>		<b>round leg</b>	<b>Edge 2 mm ABS</b>		
<b>W</b>	<b>N</b>	<b>I</b>	<b>A A 1 0</b>			<b>N</b>	<b>1</b>	<b>1</b>	<b>L</b>	Ø 1000 mm		93	95		
										<b>L</b>	2 mm laser edge for selected melamine decors: NB, NJ, NH, BI, MP, MB – surcharge 25 EUR	<b>L</b>	Left version	Left version on the drawing	
										<b>R</b>	Right version				

										<b>N</b>	Without height adjustment			<b>Leg AL, BI, CZ, GY</b>	<b>Leg CR</b>
										<b>H</b>	With height adjustment, surcharge of 6 EUR range of adjustment 740–860 mm			Top 25 mm/melamine + 1	
										<b>dimensions</b>		<b>square leg</b>	<b>Edge 2 mm ABS</b>		
<b>W</b>	<b>N</b>	<b>I</b>	<b>A A 1 0</b>			<b>N</b>	<b>2</b>	<b>1</b>	<b>L</b>	Ø 1000 mm		96	98		
										<b>L</b>	2 mm laser edge for selected melamine decors: NB, NJ, NH, BI, MP, MB – surcharge 25 EUR	<b>L</b>	Left version	Left version on the drawing	
										<b>R</b>	Right version				

## Additional desk – rectangular desks, height 740 mm

										Without height adjustment		Legs AL, BI, CZ, GY		Legs CR	
										With height adjustment, surcharge of 12 EUR range of adjustment 740-860 mm		Top 25 mm/melamine + 1		Edge 2 mm ABS	
										dimensions		depth 600 mm			
W	N	I	A	0	6	6	N	1	1	N	600×600 mm	 round leg	63	68	
W	N	I	A	0	8	6	N	1	1	N	800×600 mm		67	72	
W	N	I	A	1	0	6	N	1	1	N	1000×600 mm		73	78	

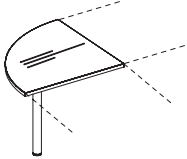
**L** 2 mm laser edge for selected melamine decors:  
NB, NJ, NH, BI, MP, MB – surcharge 25 EUR

										Without height adjustment		Legs AL, BI, CZ, GY		Legs CR	
										With height adjustment, surcharge of 12 EUR range of adjustment 740-860 mm		Top 25 mm/melamine + 1		Edge 2 mm ABS	
										dimensions		depth 600 mm			
W	N	I	A	0	6	6	N	2	1	N	600×600 mm	 square leg	71	74	
W	N	I	A	0	8	6	N	2	1	N	800×600 mm		76	79	
W	N	I	A	1	0	6	N	2	1	N	1000×600 mm		83	87	

**L** 2 mm laser edge for selected melamine decors:  
NB, NJ, NH, BI, MP, MB – surcharge 25 EUR

# Linking units

## Linking unit, height 740 mm

										Without height adjustment		Leg AL, BI, CZ, GY		Leg CR	
										With height adjustment, surcharge of 6 EUR range of adjustment 740-860 mm		Top 25mm/melamine + 1		Edge 2 mm ABS	
										dimensions		round leg			
W	N	I	N	B	6	6	N	1	1	L	600 × 600 mm		57	59	
W	N	I	N	B	8	8	N	1	1	L	800 × 800 mm		66	68	
<b>L</b> 2 mm laser edge for selected melamine decors: NB, NJ, NH, BI, MP, MB – surcharge 25 EUR										<b>L</b> Left version <b>R</b> Right version		Left version on the drawing			

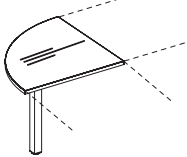
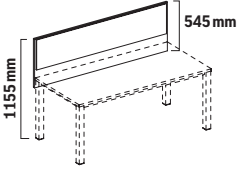
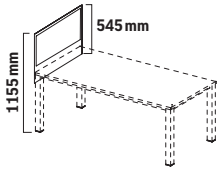
										Without height adjustment		Leg AL, BI, CZ, GY		Leg CR	
										With height adjustment, surcharge of 6 EUR range of adjustment 740-860 mm		Top 25mm/melamine + 1		Edge 2 mm ABS	
										dimensions		square leg			
W	N	I	N	B	6	6	N	2	1	L	600 × 600 mm		59	62	
W	N	I	N	B	8	8	N	2	1	L	800 × 800 mm		68	71	
<b>L</b> 2 mm laser edge for selected melamine decors: NB, NJ, NH, BI, MP, MB – surcharge 25 EUR										<b>L</b> Left version <b>R</b> Right version		Left version on the drawing			

Table panels

						Front fabric +3		Front/back fabric +3							
						Melamine +1		Melamine +1							
						Group 1	Group 4	Group 1	Group 4						
						B		C							
						Front side upholstered		Front and back side upholstered							
						width		front							
						A		Full melaminated element							
						B		Front side upholstered							
						C		Front and back side upholstered							
W	N	I	P	G	T	0	6	A	2	600mm	31	44	55	58	75
W	N	I	P	G	T	0	8	A	2	800mm	34	50	60	66	85
W	N	I	P	G	T	1	0	A	2	1000mm	37	58	75	79	110
W	N	I	P	G	T	1	2	A	2	1200mm	48	76	90	104	125
W	N	I	P	G	T	1	4	A	2	1400mm	52	79	105	106	145
W	N	I	P	G	T	1	6	A	2	1600mm	56	84	110	113	160
W	N	I	P	G	T	1	8	A	2	1800mm	60	93	120	128	175
W	N	I	P	G	T	2	0	A	2	2000mm	63	103	130	141	185

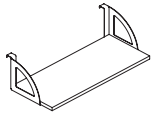

  

						width		side							
						A		Full melaminated element							
W	N	I	P	G	B	0	6	A	1	600mm	31	44	55	58	75
W	N	I	P	G	B	0	8	A	1	800mm	34	50	60	68	85



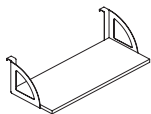
Shelf for panel without fabric

				Fittings AL, BI					
				Melamine + 1					
W	N	I	P	S	0	6	A		35



Shelf for panel with fabric

W	N	I	P	S	0	6	B		35
---	---	---	---	---	---	---	---	--	----



## Reception panels, height 1155 mm

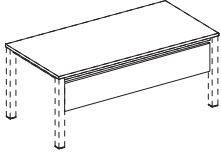
						Front side fabric + 3		
						Melamine + 1		
						Group 1	Group 4	
						B Front side upholstered		
						A Full melaminated element		
						Melamine + 1		
						A Full melaminated element		
				<b>A</b>	Full melaminated element			
				<b>B</b>	Front side upholstered			
					<b>width</b>	<b>front</b>		
<b>W N I</b>	<b>P R T 1 0</b>	<b>A 2</b>		1000mm		55	74	95
<b>W N I</b>	<b>P R T 1 2</b>	<b>A 2</b>		1200mm		68	95	115
<b>W N I</b>	<b>P R T 1 4</b>	<b>A 2</b>		1400mm		72	100	130
<b>W N I</b>	<b>P R T 1 6</b>	<b>A 2</b>		1600mm		79	108	140
					<b>width</b>	<b>side</b>		
<b>W N I</b>	<b>P R B 0 4</b>	<b>A 1 L</b>		400mm		36	46	55
<b>W N I</b>	<b>P R B 0 6</b>	<b>A 1 L</b>		600mm		41	53	65
<b>W N I</b>	<b>P R B 0 8</b>	<b>A 1 L</b>		800mm		46	63	75
				<b>L</b>	Left version			
				<b>R</b>	Right version			

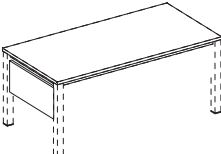
Left version on the drawing

## Counter shelf, depth 240 mm

						Melamine + 1
				<b>width</b>		
<b>W N I</b>	<b>P R S 1 0</b>			1000mm		69
<b>W N I</b>	<b>P R S 1 2</b>			1200mm		70
<b>W N I</b>	<b>P R S 1 4</b>			1400mm		72
<b>W N I</b>	<b>P R S 1 6</b>			1600mm		99

Modesty panels, height 340 mm

		for desk width	front	Melamine + 1
<b>W N I</b>	<b>P D T 0 8</b>	800mm		24
<b>W N I</b>	<b>P D T 1 0</b>	1000mm		26
<b>W N I</b>	<b>P D T 1 2</b>	1200mm		28
<b>W N I</b>	<b>P D T 1 4</b>	1400mm		30
<b>W N I</b>	<b>P D T 1 6</b>	1600mm		35
<b>W N I</b>	<b>P D T 1 8</b>	1800mm		41
<b>W N I</b>	<b>P D T 2 0</b>	2000mm		45

		for desk depth	side	
<b>W N I</b>	<b>P D B 0 6</b>	600mm		22
<b>W N I</b>	<b>P D B 0 8</b>	800mm		24

# Cabinets

Sliding door cabinets, width 1000 mm, depth 445 mm

						-	Back - HDF 2,5 mm			Melamine + 1		
						M	Back - chipboard 12 mm			Handles: AL, CZ, BI, GY		
							height					
W	N	I	S	S	-	1	0	1	N		1,50H (740 mm)	200
W	N	I	S	S	-	1	0	1	N		M	210
W	N	I	S	S	-	1	0	2	N			210
W	N	I	S	S	-	1	0	2	N		M	225
W	N	I	S	S	-	1	0	3	N			235
W	N	I	S	S	-	1	0	3	N		M	255
W	N	I	S	S	-	1	0	4	N			290
W	N	I	S	S	-	1	0	4	N		M	310
						-	18 mm melamine chipboard shelf (standard)					
						G	25 mm melamine chipboard shelf, surcharge of 5 EUR/ 1 level (2 shelves)					

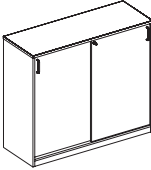
Upper – sliding door cabinets, width 1000 mm, depth 445 mm

						-	Back - HDF 2,5 mm						
						M	Back - chipboard 12 mm						
							height						
W	N	I	S	A	S	-	1	0	2	N		190	
W	N	I	S	A	S	-	1	0	2	N		M	200
W	N	I	S	A	S	-	1	0	3	N			230
W	N	I	S	A	S	-	1	0	3	N		M	235
						-	18 mm melamine chipboard shelf (standard)						
						G	25 mm melamine chipboard shelf, surcharge of 5 EUR/ 1 level (2 shelves)						



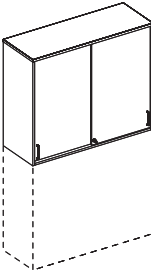
Sliding door cabinets, width 1200 mm, depth 445 mm

										Back - HDF 2,5mm		<b>Melamine + 1</b>		
										Back - chipboard 12mm		<b>Handles: AL, CZ, BI, GY</b>		
										<b>height</b>				
<b>W</b>	<b>N</b>	<b>I</b>	<b>S</b>	<b>S</b>	<b>-</b>	<b>1</b>	<b>2</b>	<b>1</b>	<b>N</b>		1,50H (740mm)		213	
<b>W</b>	<b>N</b>	<b>I</b>	<b>S</b>	<b>S</b>	<b>-</b>	<b>1</b>	<b>2</b>	<b>1</b>	<b>N</b>	<b>M</b>			224	
<b>W</b>	<b>N</b>	<b>I</b>	<b>S</b>	<b>S</b>	<b>-</b>	<b>1</b>	<b>2</b>	<b>2</b>	<b>N</b>		20H (825mm)		220	
<b>W</b>	<b>N</b>	<b>I</b>	<b>S</b>	<b>S</b>	<b>-</b>	<b>1</b>	<b>2</b>	<b>2</b>	<b>N</b>	<b>M</b>			236	
<b>W</b>	<b>N</b>	<b>I</b>	<b>S</b>	<b>S</b>	<b>-</b>	<b>1</b>	<b>2</b>	<b>3</b>	<b>N</b>		30H (1155mm)		265	
<b>W</b>	<b>N</b>	<b>I</b>	<b>S</b>	<b>S</b>	<b>-</b>	<b>1</b>	<b>2</b>	<b>3</b>	<b>N</b>	<b>M</b>			287	
<b>W</b>	<b>N</b>	<b>I</b>	<b>S</b>	<b>S</b>	<b>-</b>	<b>1</b>	<b>2</b>	<b>4</b>	<b>N</b>		40H (1545mm)		314	
<b>W</b>	<b>N</b>	<b>I</b>	<b>S</b>	<b>S</b>	<b>-</b>	<b>1</b>	<b>2</b>	<b>4</b>	<b>N</b>	<b>M</b>			356	
					<b>-</b>	18mm melamine chipboard shelf (standard)								
					<b>G</b>	25mm melamine chipboard shelf, surcharge of 6 EUR/ 1 level (2 shelves)								



Upper - sliding door cabinets, width 1200 mm, depth 445 mm

										Back - HDF 2,5mm					
										Back - chipboard 12mm					
										<b>height</b>					
<b>W</b>	<b>N</b>	<b>I</b>	<b>S</b>	<b>A</b>	<b>S</b>	<b>-</b>	<b>1</b>	<b>2</b>	<b>2</b>	<b>N</b>		20H (740mm)		196	
<b>W</b>	<b>N</b>	<b>I</b>	<b>S</b>	<b>A</b>	<b>S</b>	<b>-</b>	<b>1</b>	<b>2</b>	<b>2</b>	<b>N</b>	<b>M</b>			211	
<b>W</b>	<b>N</b>	<b>I</b>	<b>S</b>	<b>A</b>	<b>S</b>	<b>-</b>	<b>1</b>	<b>2</b>	<b>3</b>	<b>N</b>		30H (1070mm)		240	
<b>W</b>	<b>N</b>	<b>I</b>	<b>S</b>	<b>A</b>	<b>S</b>	<b>-</b>	<b>1</b>	<b>2</b>	<b>3</b>	<b>N</b>	<b>M</b>			262	
					<b>-</b>	18mm melamine chipboard shelf (standard)									
					<b>G</b>	25mm melamine chipboard shelf, surcharge of 6 EUR/ 1 level (2 shelves)									



# Cabinets

Sliding door cabinets, width 1600 mm, depth 445 mm

							-	Back - HDF 2,5 mm			Melamine + 1
							M	Back - chipboard 12 mm			Handles: AL, CZ, BI, GY
								height			
W	N	I	S	S	-	1 6 1 N		1,50H (740 mm)		240	
W	N	I	S	S	-	1 6 1 N	M			250	
W	N	I	S	S	-	1 6 2 N		20H (825 mm)		250	
W	N	I	S	S	-	1 6 2 N	M			270	
W	N	I	S	S	-	1 6 3 N		30H (1155 mm)		290	
W	N	I	S	S	-	1 6 3 N	M			320	
W	N	I	S	S	-	1 6 4 N		40H (1545 mm)		350	
W	N	I	S	S	-	1 6 4 N	M			380	
							-	18 mm melamine chipboard shelf (standard)			
							G	25 mm melamine chipboard shelf, surcharge of 10 EUR/ 1 level (2 shelves)			

Upper – sliding door cabinets, width 1600 mm, depth 445 mm

							-	Back - HDF 2,5 mm			
							M	Back - chipboard 12 mm			
								height			
W	N	I	S	A	S	-	1 6 2 N			230	
W	N	I	S	A	S	-	1 6 2 N	M		20H (740 mm)	240
W	N	I	S	A	S	-	1 6 3 N				280
W	N	I	S	A	S	-	1 6 3 N	M		30H (1070 mm)	300
							-	18 mm melamine chipboard shelf (standard)			
							G	25 mm melamine chipboard shelf, surcharge of 10 EUR/ 1 level (2 shelves)			



# Cabinets

Tambour cabinets, width 1200 mm, depth 445 mm

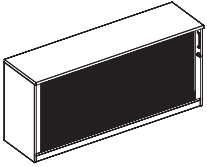
Easy Space

										Back - HDF 2,5 mm			
										Back - chipboard 12 mm			
										<b>height</b>		<b>Melamine + 1</b>	
												<b>Handles: AL, CZ, BI, GY</b>	
W	N	I	S	T	-	1	2	1	N		1,50H (740 mm)		271
W	N	I	S	T	-	1	2	1	N M				288
W	N	I	S	T	-	1	2	2	N		20H (825 mm)		283
W	N	I	S	T	-	1	2	2	N M				305
W	N	I	S	T	-	1	2	3	N		30H (1155 mm)		357
W	N	I	S	T	-	1	2	3	N M				390
W	N	I	S	T	-	1	2	4	N		40H (1545 mm)		457
W	N	I	S	T	-	1	2	4	N M				517
										N	Left version		Left version on the drawing
										R	Right version		
										-	18 mm melamine chipboard shelf (standard)		
										G	25 mm melamine chipboard shelf, surcharge of 6 EUR/ 1 level (2 shelves)		

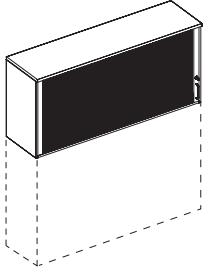
Upper - tambour cabinets, width 1200 mm, depth 445 mm

										Back - HDF 2,5 mm				
										Back - chipboard 12 mm				
										<b>height</b>				
W	N	I	S	A	T	-	1	2	2	N		20H (740 mm)		258
W	N	I	S	A	T	-	1	2	2	N M				280
W	N	I	S	A	T	-	1	2	3	N		30H (1070 mm)		332
W	N	I	S	A	T	-	1	2	3	N M				364
										N	Left version	Left version on the drawing		
										R	Right version			
										-	18 mm melamine chipboard shelf (standard)			
										G	25 mm melamine chipboard shelf, surcharge of 6 EUR/ 1 level (2 shelves)			

Tambour cabinets, width 1600 mm, depth 445 mm

								Back - HDF 2,5mm		height	Melamine + 1		
								Back - chipboard 12mm			Handles: AL, CZ, BI, GY		
W	N	I	S	T	-	1	6	1	N		1,50H (740mm)	310	
W	N	I	S	T	-	1	6	1	N		M	330	
W	N	I	S	T	-	1	6	2	N			20H (825mm)	330
W	N	I	S	T	-	1	6	2	N		M	350	
W	N	I	S	T	-	1	6	3	N			30H (1155mm)	410
W	N	I	S	T	-	1	6	3	N		M	450	
W	N	I	S	T	-	1	6	4	N			40H (1545mm)	520
W	N	I	S	T	-	1	6	4	N		M	570	
								N	Left version	Left version on the drawing			
								R	Right version				
								-	18mm melamine chipboard shelf (standard)				
								G	25mm melamine chipboard shelf, surcharge of 10 EUR/ 1 level (2 shelves)				

Upper - tambour cabinets, width 1600 mm, depth 445 mm

								Back - HDF 2,5mm		height				
								Back - chipboard 12mm						
W	N	I	S	A	T	-	1	6	2	N		20H (740mm)	300	
W	N	I	S	A	T	-	1	6	2	N		M	320	
W	N	I	S	A	T	-	1	6	3	N			30H (1070mm)	360
W	N	I	S	A	T	-	1	6	3	N		M	420	
								N	Left version	Left version on the drawing				
								R	Right version					
								-	18mm melamine chipboard shelf (standard)					
								G	25mm melamine chipboard shelf, surcharge of 10 EUR/ 1 level (2 shelves)					

# Cabinets

Hinged door cabinets, width 400 mm, depth 445 mm

Easy Space

										Back - HDF 2,5 mm			
										Back - chipboard 12 mm			
										<b>height</b>		<b>Melamine + 1</b>	
												<b>Handles: AL, CZ, BI, GY</b>	
W	N	I	S	W	-	0	4	1	L		1,50H (740 mm)		102
W	N	I	S	W	-	0	4	1	L	M			106
W	N	I	S	W	-	0	4	2	L		20H (825 mm)		105
W	N	I	S	W	-	0	4	2	L	M			111
W	N	I	S	W	-	0	4	3	L		30H (1155 mm)		128
W	N	I	S	W	-	0	4	3	L	M			136
W	N	I	S	W	-	0	4	4	L		40H (1545 mm)		150
W	N	I	S	W	-	0	4	4	L	M			165
W	N	I	S	W	-	0	4	5	L		50H (1895 mm)		183
W	N	I	S	W	-	0	4	5	L	M			198
W	N	I	S	W	-	0	4	6	L		60H (2225 mm)		212
W	N	I	S	W	-	0	4	6	L	M			226

L

 Left version
 

R

 Right version

Left version on the drawing

- 18mm melamine chipboard shelf (standard)

**G** 25mm melamine chipboard shelf, surcharge of 3 EUR/ 1 level (2 shelves)

Upper - hinged door cabinets, width 400 mm, depth 445 mm

										Back - HDF 2,5 mm				
										Back - chipboard 12 mm				
										<b>height</b>				
W	N	I	S	A	W	-	0	4	2	L		20H (740 mm)		96
W	N	I	S	A	W	-	0	4	2	L	M			101
W	N	I	S	A	W	-	0	4	3	L		30H (1070 mm)		117
W	N	I	S	A	W	-	0	4	3	L	M			126

L

 Left version
 

R

 Right version

Left version on the drawing

- 18mm melamine chipboard shelf (standard)

**G** 25mm melamine chipboard shelf, surcharge of 3 EUR/ 1 level (2 shelves)

Hinged door cabinets, width 600 mm, depth 445 mm

										-	Back - HDF 2,5mm		Melamine + 1
										M	Back - chipboard 12mm		Handles: AL, CZ, BI, GY
											height		
W	N	I	S	W	-	0	6	1	L		1,50H (740mm)		115
W	N	I	S	W	-	0	6	1	L	M			122
W	N	I	S	W	-	0	6	2	L		20H (825mm)		119
W	N	I	S	W	-	0	6	2	L	M			126
W	N	I	S	W	-	0	6	3	L		30H (1155mm)		143
W	N	I	S	W	-	0	6	3	L	M			154
W	N	I	S	W	-	0	6	4	L		40H (1545mm)		171
W	N	I	S	W	-	0	6	4	L	M			193
W	N	I	S	W	-	0	6	5	L		50H (1895mm)		216
W	N	I	S	W	-	0	6	5	L	M			238
W	N	I	S	W	-	0	6	6	L		60H (2225mm)		250
W	N	I	S	W	-	0	6	6	L	M			270

L

 Left version
 

R

 Right version
 

Left version on the drawing

-

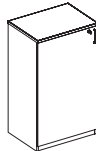
 18mm melamine chipboard shelf (standard)
 

G

 25mm melamine chipboard shelf, surcharge of 3 EUR/ 1 shelf
 

M

 Metal shelf, surcharge of 6 EUR/1 shelf



Upper - hinged door cabinets, width 600 mm, depth 445 mm

										-	Back - HDF 2,5mm			
										M	Back - chipboard 12mm			
											height			
W	N	I	S	A	W	-	0	6	2	L		20H (740mm)		106
W	N	I	S	A	W	-	0	6	2	L	M			114
W	N	I	S	A	W	-	0	6	3	L		30H (1070mm)		131
W	N	I	S	A	W	-	0	6	3	L	M			142

L

 Left version
 

R

 Right version
 

Left version on the drawing

-

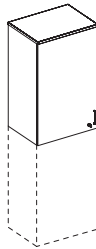
 18mm melamine chipboard shelf (standard)
 

G

 25mm melamine chipboard shelf, surcharge of 3 EUR/ 1 shelf
 

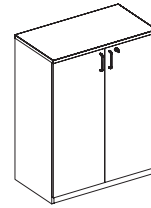
M

 Metal shelf, surcharge of 6 EUR/1 shelf



## Hinged door cabinets, width 800 mm, depth 445 mm

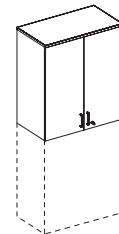
										Melamine + 1		
										Handles: AL, CZ, BI, GY		
										height		
										-	Back - HDF 2,5 mm	
										M	Back - chipboard 12 mm	
W	N	I	S	W	-	0	8	1	N		1,50H (740mm)	138
W	N	I	S	W	-	0	8	1	N	M		144
W	N	I	S	W	-	0	8	2	N		20H (825mm)	143
W	N	I	S	W	-	0	8	2	N	M		150
W	N	I	S	W	-	0	8	3	N		30H (1155mm)	173
W	N	I	S	W	-	0	8	3	N	M		190
W	N	I	S	W	-	0	8	4	N		40H (1545mm)	211
W	N	I	S	W	-	0	8	4	N	M		242
W	N	I	S	W	-	0	8	5	N		50H (1895mm)	256
W	N	I	S	W	-	0	8	5	N	M		285
W	N	I	S	W	-	0	8	6	N		60H (2225mm)	296
W	N	I	S	W	-	0	8	6	N	M		324



- 18 mm melamine chipboard shelf (standard)
- G** 25 mm melamine chipboard shelf, surcharge of 4 EUR/ 1 shelf
- M** Metal shelf, surcharge of 6 EUR/1 shelf

## Upper - hinged door cabinets, width 800 mm, depth 445 mm

										height		
										-	Back - HDF 2,5 mm	
										M	Back - chipboard 12 mm	
W	N	I	S	A	W	-	0	8	2	N	20H (740mm)	130
W	N	I	S	A	W	-	0	8	2	N		141
W	N	I	S	A	W	-	0	8	3	N	30H (1070mm)	160
W	N	I	S	A	W	-	0	8	3	N		175

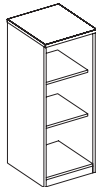


- 18 mm melamine chipboard shelf (standard)
- G** 25 mm melamine chipboard shelf, surcharge of 4 EUR/ 1 shelf
- M** Metal shelf, surcharge of 6 EUR/1 shelf



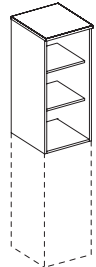
Open cabinets, width 400 mm, depth 445 mm

										<b>Melamine + 1</b>		
										-	Back - HDF 2,5mm	
										<b>M</b>	Back - chipboard 12mm	
										<b>height</b>		
<b>W</b>	<b>N</b>	<b>I</b>	<b>S</b>	<b>N</b>	-	<b>0</b>	<b>4</b>	<b>1</b>	<b>N</b>		1,50H (740mm)	81
<b>W</b>	<b>N</b>	<b>I</b>	<b>S</b>	<b>N</b>	-	<b>0</b>	<b>4</b>	<b>1</b>	<b>N</b>	<b>M</b>		87
<b>W</b>	<b>N</b>	<b>I</b>	<b>S</b>	<b>N</b>	-	<b>0</b>	<b>4</b>	<b>2</b>	<b>N</b>		20H (825mm)	83
<b>W</b>	<b>N</b>	<b>I</b>	<b>S</b>	<b>N</b>	-	<b>0</b>	<b>4</b>	<b>2</b>	<b>N</b>	<b>M</b>		90
<b>W</b>	<b>N</b>	<b>I</b>	<b>S</b>	<b>N</b>	-	<b>0</b>	<b>4</b>	<b>3</b>	<b>N</b>		30H (1155mm)	103
<b>W</b>	<b>N</b>	<b>I</b>	<b>S</b>	<b>N</b>	-	<b>0</b>	<b>4</b>	<b>3</b>	<b>N</b>	<b>M</b>		111
<b>W</b>	<b>N</b>	<b>I</b>	<b>S</b>	<b>N</b>	-	<b>0</b>	<b>4</b>	<b>4</b>	<b>N</b>		40H (1545mm)	122
<b>W</b>	<b>N</b>	<b>I</b>	<b>S</b>	<b>N</b>	-	<b>0</b>	<b>4</b>	<b>4</b>	<b>N</b>	<b>M</b>		136
<b>W</b>	<b>N</b>	<b>I</b>	<b>S</b>	<b>N</b>	-	<b>0</b>	<b>4</b>	<b>5</b>	<b>N</b>		50H (1895mm)	140
<b>W</b>	<b>N</b>	<b>I</b>	<b>S</b>	<b>N</b>	-	<b>0</b>	<b>4</b>	<b>5</b>	<b>N</b>	<b>M</b>		154
<b>W</b>	<b>N</b>	<b>I</b>	<b>S</b>	<b>N</b>	-	<b>0</b>	<b>4</b>	<b>6</b>	<b>N</b>		60H (2225mm)	163
<b>W</b>	<b>N</b>	<b>I</b>	<b>S</b>	<b>N</b>	-	<b>0</b>	<b>4</b>	<b>6</b>	<b>N</b>	<b>M</b>		177
										-	18mm melamine chipboard shelf (standard)	
										<b>G</b>	25mm melamine chipboard shelf, surcharge of 3 EUR/ 1 shelf	



Upper - open cabinets, width 400 mm, depth 445 mm

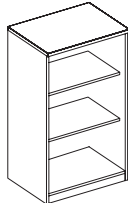
										-	Back - HDF 2,5mm		
										<b>M</b>	Back - chipboard 12mm		
										<b>height</b>			
<b>W</b>	<b>N</b>	<b>I</b>	<b>S</b>	<b>A</b>	-	<b>N</b>	<b>0</b>	<b>4</b>	<b>2</b>	<b>N</b>		20H (740mm)	75
<b>W</b>	<b>N</b>	<b>I</b>	<b>S</b>	<b>A</b>	-	<b>N</b>	<b>0</b>	<b>4</b>	<b>2</b>	<b>N</b>	<b>M</b>		80
<b>W</b>	<b>N</b>	<b>I</b>	<b>S</b>	<b>A</b>	-	<b>N</b>	<b>0</b>	<b>4</b>	<b>3</b>	<b>N</b>		30H (1070mm)	95
<b>W</b>	<b>N</b>	<b>I</b>	<b>S</b>	<b>A</b>	-	<b>N</b>	<b>0</b>	<b>4</b>	<b>3</b>	<b>N</b>	<b>M</b>		102
										-	18mm melamine chipboard shelf (standard)		
										<b>G</b>	25mm melamine chipboard shelf, surcharge of 3 EUR/ 1 shelf		



# Cabinets

## Open cabinets width 600 mm, depth 445 mm

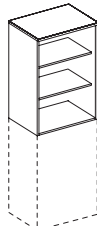
										Melamine + 1		
										-	Back - HDF 2,5 mm	
										M	Back - chipboard 12 mm	
										height		
W	N	I	S	N	-	0	6	1	N		1,50H (740mm)	92
W	N	I	S	N	-	0	6	1	N	M		98
W	N	I	S	N	-	0	6	2	N		20H (825mm)	94
W	N	I	S	N	-	0	6	2	N	M		102
W	N	I	S	N	-	0	6	3	N		30H (1155mm)	115
W	N	I	S	N	-	0	6	3	N	M		127
W	N	I	S	N	-	0	6	4	N		40H (1545mm)	137
W	N	I	S	N	-	0	6	4	N	M		159
W	N	I	S	N	-	0	6	5	N		50H (1895mm)	161
W	N	I	S	N	-	0	6	5	N	M		181
W	N	I	S	N	-	0	6	6	N		60H (2225mm)	187
W	N	I	S	N	-	0	6	6	N	M		207



- 18 mm melamine chipboard shelf (standard)
- G** 25 mm melamine chipboard shelf, surcharge of 3 EUR/ 1 shelf
- M** Metal shelf, surcharge of 6 EUR/1 shelf

## Upper - open cabinets width 600 mm, depth 445 mm

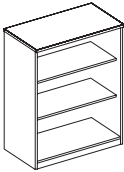
										-	Back - HDF 2,5 mm		
										M	Back - chipboard 12 mm		
										height			
W	N	I	S	A	N	-	0	6	2	N		20H (740mm)	83
W	N	I	S	A	N	-	0	6	2	N	M		91
W	N	I	S	A	N	-	0	6	3	N		30H (1070mm)	103
W	N	I	S	A	N	-	0	6	3	N	M		114



- 18 mm melamine chipboard shelf (standard)
- G** 25 mm melamine chipboard shelf, surcharge of 3 EUR/ 1 shelf
- M** Metal shelf, surcharge of 6 EUR/1 shelf

Open cabinets, width 800 mm, depth 445 mm

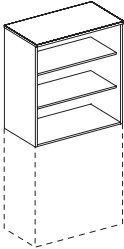
										Melamine + 1		
										-	Back - HDF 2,5mm	
										M	Back - chipboard 12mm	
										height		
W	N	I	S	N	-	0	8	1	N		1,50H (740mm)	101
W	N	I	S	N	-	0	8	1	N	M		110
W	N	I	S	N	-	0	8	2	N		20H (825mm)	103
W	N	I	S	N	-	0	8	2	N	M		114
W	N	I	S	N	-	0	8	3	N		30H (1155mm)	126
W	N	I	S	N	-	0	8	3	N	M		142
W	N	I	S	N	-	0	8	4	N		40H (1545mm)	151
W	N	I	S	N	-	0	8	4	N	M		181
W	N	I	S	N	-	0	8	5	N		50H (1895mm)	174
W	N	I	S	N	-	0	8	5	N	M		203
W	N	I	S	N	-	0	8	6	N		60H (2225mm)	202
W	N	I	S	N	-	0	8	6	N	M		232



- 18mm melamine chipboard shelf (standard)  
**G** 25mm melamine chipboard shelf, surcharge of 4 EUR/ 1 shelf  
**M** Metal shelf, surcharge of 6 EUR/1 shelf

Upper - open cabinets,  
width 800 mm, depth 445 mm

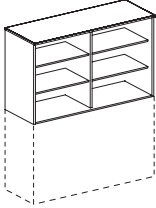
										-	Back - HDF 2,5mm		
										M	Back - chipboard 12mm		
										height			
W	N	I	S	A	N	-	0	8	2	N		20H (740mm)	92
W	N	I	S	A	N	-	0	8	2	N	M		102
W	N	I	S	A	N	-	0	8	3	N		30H (1070mm)	113
W	N	I	S	A	N	-	0	8	3	N	M		130



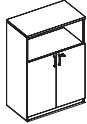
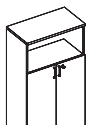
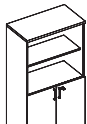
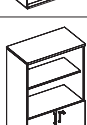
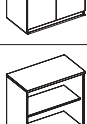
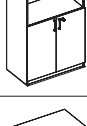
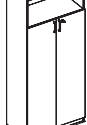
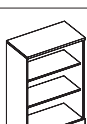
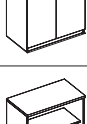
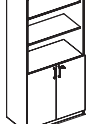


- 18mm melamine chipboard shelf (standard)  
**G** 25mm melamine chipboard shelf, surcharge of 4 EUR/ 1 shelf  
**M** Metal shelf, surcharge of 6 EUR/1 shelf

Width 1200 mm,  
depth 445 mm

										-	Back - HDF 2,5mm	
										M	Back - chipboard 12mm	
										height		
W	N	I	S	A	N	1	2	2	N		20H (740mm)	130
W	N	I	S	A	N	1	2	2	N	M		146
W	N	I	S	A	N	1	2	3	N		30H (1070mm)	165
W	N	I	S	A	N	1	2	3	N	M		187




## Combi cabinets

							Back - HDF 2,5 mm		Melamine + 1	
							Back - chipboard 12 mm		Handles: AL, CZ, BI, GY	
							height	set of cabinet + open cabinet [OH]		
W	N	I	S	B	0 8	3 N	30H (1155mm)	2+1		154
W	N	I	S	B	0 8	3 N <u>M</u>	30H (1155mm)	2+1		174
W	N	I	S	B	0 8	4 N	40H (1545mm)	2+2		186
W	N	I	S	B	0 8	4 N <u>M</u>	40H (1545mm)	2+2		216
W	N	I	S	B	0 8	5 N	50H (1895mm)	2+3		216
W	N	I	S	B	0 8	5 N <u>M</u>	50H (1895mm)	2+3		246
W	N	I	S	B	0 8	6 N	60H (2225mm)	2+4		243
W	N	I	S	B	0 8	6 N <u>M</u>	60H (2225mm)	2+4		272
W	N	I	S	C	0 8	4 N	40H (1545mm)	3+1		186
W	N	I	S	C	0 8	4 N <u>M</u>	40H (1545mm)	3+1		216
W	N	I	S	C	0 8	5 N	50H (1895mm)	3+2		219
W	N	I	S	C	0 8	5 N <u>M</u>	50H (1895mm)	3+2		250
W	N	I	S	C	0 8	6 N	60H (2225mm)	3+3		248
W	N	I	S	C	0 8	6 N <u>M</u>	60H (2225mm)	3+3		279
W	N	I	S	H	0 8	6 N	60H (2225mm)	4+2		267
W	N	I	S	H	0 8	6 N <u>M</u>	60H (2225mm)	4+2		295

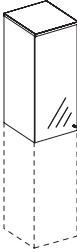
Glass door cabinets, width 400 mm, depth 445 mm

						<b>Melamine + 1</b>					
						-	Back - HDF 2,5mm				
						M	Back - chipboard 12mm				
						<b>height</b>					
W	N	I	S	G	-	0	4	2	L	20H (825mm)	137
W	N	I	S	G	-	0	4	2	L M		142
W	N	I	S	G	-	0	4	3	L	30H (1155mm)	165
W	N	I	S	G	-	0	4	3	L M		172
W	N	I	S	G	-	0	4	4	L	40H (1545mm)	205
W	N	I	S	G	-	0	4	4	L M		218
						L	Left version			Left version on the drawing	
						R	Right version				
						-	18mm melamine chipboard shelf (standard)				
						G	25mm melamine chipboard shelf, surcharge of 3 EUR/ 1 shelf				



Upper - glass door cabinets, width 400 mm, depth 445 mm

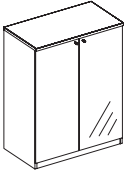
						-	Back - HDF 2,5mm					
						M	Back - chipboard 12mm					
						<b>height</b>						
W	N	I	S	A	-	G	0	4	2	L	20H (740mm)	123
W	N	I	S	A	-	G	0	4	2	L M		129
W	N	I	S	A	-	G	0	4	3	L	30H (1070mm)	149
W	N	I	S	A	-	G	0	4	3	L M		158
						L	Left version			Left version on the drawing		
						R	Right version					
						-	18mm melamine chipboard shelf (standard)					
						G	25mm melamine chipboard shelf, surcharge of 3 EUR/ 1 shelf					



# Cabinets

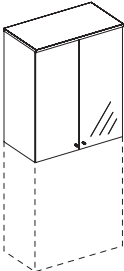
Glass door cabinets, width 800 mm, depth 445 mm

						Melamine + 1	
						height	
				-	Back - HDF 2,5 mm		
				M	Back - chipboard 12 mm		
W	N	I	S	G	-	0	8
						2	N
						20H (825 mm)	209
W	N	I	S	G	-	0	8
						2	N
							M
						30H (1155 mm)	217
W	N	I	S	G	-	0	8
						3	N
							M
						40H (1545 mm)	258
W	N	I	S	G	-	0	8
						4	N
							M
							272
W	N	I	S	G	-	0	8
						4	N
							M
							334
W	N	I	S	G	-	0	8
						4	N
							M
							364
				-	18 mm melamine chipboard shelf (standard)		
				G	25 mm melamine chipboard shelf, surcharge of 4 EUR/ 1 shelf		



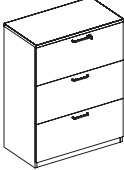
Upper - glass door cabinets, width 800 mm, depth 445 mm

						height	
				-	Back - HDF 2,5 mm		
				M	Back - chipboard 12 mm		
W	N	I	S	A	-	G	0
						8	2
							N
						20H (740 mm)	195
W	N	I	S	A	-	G	0
						8	2
							N
							M
						30H (1070 mm)	204
W	N	I	S	A	-	G	0
						8	3
							N
							M
							245
W	N	I	S	A	-	G	0
						8	3
							N
							M
							259
				-	18 mm melamine chipboard shelf (standard)		
				G	25 mm melamine chipboard shelf, surcharge of 4 EUR/ 1 shelf		

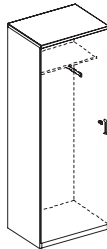


Drawer cabinets, width 800 mm, depth 445 mm

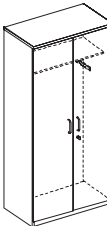
						height		back - chipboard 16 mm		Handles: AL, CZ, BI, GY	
W	N	I	S	D	0	8	2	M			449
						20H (825 mm)					
W	N	I	S	D	0	8	3	M			609
						30H (1155 mm)					



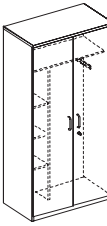
Wardrobe cabinets, width 600 mm, depth 445 mm

			-	Back - HDF 2,5 mm		Melamine + 1
			M	Back - chipboard 12 mm		Handles: AL, CZ, BI, GY
				height		
W N	I S U O 6 5	L		50H (1895 mm)		188
W N	I S U O 6 5	L M				209
W N	I S U O 6 6	L		60H (2225 mm)		212
W N	I S U O 6 6	L M				234
			L	Left version		Left version on the drawing
			R	Right version		

Wardrobe cabinets,  
width 800 mm,  
depth 445 mm

			-	Back - HDF 2,5 mm		
			M	Back - chipboard 12 mm		
				height		
W N	I S U O 8 5 N			50H (1895 mm)		222
W N	I S U O 8 5 N	M				253
W N	I S U O 8 6 N			60H (2225 mm)		250
W N	I S U O 8 6 N	M				278


Wardrobe cabinets,  
width 800 mm,  
depth 445 mm

			-	Back - HDF 2,5 mm		
			M	Back - chipboard 12 mm		
				height		
W N I	S U P O 8 5 N			50H (1895 mm)		269
W N I	S U P O 8 5 N	M				295
W N I	S U P O 8 6 N			60H (2225 mm)		307
W N I	S U P O 8 6 N	M				332

# Pedestals


Mobile pedestals, height 600 mm, width 430 mm

		<b>P</b>	Plastic drawers	<b>Melamine + 1</b>			
		<b>C</b>	Chipboard drawers without central lock	<b>Handles: AL, CZ, BI, GY</b>			
		<b>L</b>	Chipboard drawers	<b>P</b>	<b>C</b>	<b>L</b>	<b>-</b>
		<b>-</b>	Metal drawers	plastic drawers	chipboard drawers without central lock	chipboard drawers	metal drawers
		<b>depth</b>	<b>3 drawers</b>				
<b>W N I</b>	<b>C M 3 0 5</b>	-	480mm	151	141	149	-
<b>W N I</b>	<b>C M 3 0 6</b>	-	600mm	162	152	160	184
<b>W N I</b>	<b>C M 3 0 8</b>	-	800mm	165	-	-	219




<b>W N I</b>	<b>A U X 0 1</b>	Pencil box inserted in a drawer	8
--------------	------------------	---------------------------------	---

		<b>P</b>	Plastic drawers	<b>+ 1</b>	<b>+ 1</b>
		<b>-</b>	Metal drawers	<b>P</b> plastic drawers	<b>-</b> metal drawers
		<b>depth</b>	<b>pencil box + 3 drawer</b>		
<b>W N I</b>	<b>C M 3 1 6</b>	-	600mm	175	207
<b>W N I</b>	<b>C M 3 1 8</b>	-	800mm	187	243




		<b>P</b>	Plastic drawers	<b>+ 1</b>	<b>+ 1</b>
		<b>-</b>	Metal drawers	<b>P</b> plastic drawers	<b>-</b> metal drawers
		<b>depth</b>	<b>pencil box + 1 drawer + 1 drawer with filing frame</b>		
<b>W N I</b>	<b>C M 2 1 6</b>	-	600mm	170	204
<b>W N I</b>	<b>C M 2 1 8</b>	-	800mm	180	237






Fixed pedestals, height 740 mm, width 430 mm

		<b>P</b>	Plastic drawers	<b>Melamine + 1</b>			
		<b>C</b>	Chipboard drawers without central lock	<b>Handles: AL, CZ, BI, GY</b>			
		<b>L</b>	Chipboard drawers	<b>P</b>	<b>C</b>	<b>L</b>	<b>-</b>
		<b>-</b>	Metal drawers	plastic drawers	chipboard drawers without central lock	chipboard drawers	metal drawers
			depth	<b>4 drawers</b>			
<b>W N I</b>	<b>C F 4 0 6</b>	<b>-</b>	600 mm	211	200	210	238
<b>W N I</b>	<b>C F 4 0 8</b>	<b>-</b>	800 mm	221	210	219	284




<b>W N I</b>	<b>A U X 0 1</b>	Pencil box inserted in a drawer		8
--------------	------------------	---------------------------------	--	---

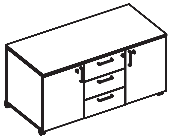
		<b>P</b>	Plastic drawers	<b>+1</b>	<b>+1</b>
		<b>-</b>	Metal drawers	<b>P</b>	<b>-</b>
			depth	plastic drawers	metal drawers
				<b>pencil box + 4 drawers</b>	
<b>W N I</b>	<b>C F 4 1 6</b>	<b>-</b>	600 mm	224	262
<b>W N I</b>	<b>C F 4 1 8</b>	<b>-</b>	800 mm	234	308



		<b>P</b>	Plastic drawers	<b>+1</b>	<b>+1</b>
		<b>-</b>	Metal drawers	<b>P</b>	<b>-</b>
			depth	plastic drawers	metal drawers
				<b>pencil box + 2 drawers + 1 drawer with filing frame</b>	
<b>W N I</b>	<b>C F 3 1 6</b>	<b>-</b>	600 mm	212	260
<b>W N I</b>	<b>C F 3 1 8</b>	<b>-</b>	800 mm	222	304

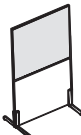


Mobile sideboard, height 600 mm, width 1200 mm

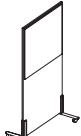
		<b>L</b>	Outlet for cables - left			
		<b>R</b>	Outlet for cables - right			
		<b>D</b>	Outlet for cables - left + right			
		<b>N</b>	Without outlet for cables			
			depth	<b>2 hinged door + 3 drawers</b>		<b>Melamine + 1</b>
						<b>Handles: AL, CZ, BI, GY</b>
<b>W N I</b>	<b>C B M E 1 2</b>	<b>N</b>	<b>U M A Z</b>	475 mm		323

# Additional elements

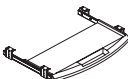
## Fixed dividing screen

						Front side fabric +3		Back side fabric +3								
						Frame AL/CR		Frame AL/CR								
						Melamine + 1		Melamine + 1								
						A Full melaminated element		B Front side upholstered		C Front and back side upholstered						
						Group 1		Group 4		Group 1		Group 4				
W	N	I	F	S	W	A	20H			H = 1545 mm W = 800 mm		81	104	135	126	185
							40H									

## Mobile dividing screen

W	N	I	M	S	W	A	20H			H = 1545 mm W = 800 mm		80	103	134	125	184
							40H									

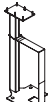
## Keyboard shelf. Only for C leg desks

W	N	I	A	U	X	O	2	W = 550 mm D = 265 mm H = 37 mm		16
---	---	---	---	---	---	---	---	---------------------------------------	---	----


## PC trolley

W	N	I	C	P	U	T	W = 515 mm D = 275 mm H = 555 mm		36
---	---	---	---	---	---	---	--	---	----

## PC holder


							AL, BI, CZ		
W	N	I	C	P	U	S	H = 505 mm T = 250 mm B = 200 mm		46

## Upholstered pad for mobile pedestal

				Fabric		
				Group 1	Group 4	
<b>W N S</b>	<b>A U X</b>	<b>3 6</b>	600 × 430 mm (for pedestals with 600 mm depth)		40	55
<b>W N S</b>	<b>A U X</b>	<b>3 7</b>	800 × 430 mm (for pedestals with 800 mm depth)		49	64


## Shelf for cabinet or open cabinet

			Melamine + 1
<b>W N I</b>	<b>A U X 0 4</b>	cabinet/open cabinet width 400 mm	13
<b>W N I</b>	<b>A U X 0 5</b>	cabinet/open cabinet width 600 mm	15
<b>W N I</b>	<b>A U X 0 6</b>	cabinet/open cabinet width 800 mm	18



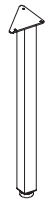
## One round leg

			Leg AL, BI, CZ, GY	Leg CR
<b>W N I</b>	<b>A U X 0 7</b>	With leveling foot	16	19
<b>W N I</b>	<b>A U X 0 8</b>	With height adjustment	20	22




## One square leg

			Leg AL, BI, CZ, GY	Leg CR
<b>W N I</b>	<b>A U X 0 9</b>	With leveling foot	24	26
<b>W N I</b>	<b>A U X 1 0</b>	With height adjustment	26	29




# Additional elements


## Mobile table Caddy

				<b>Melamine + 1</b>	
				Handles: AL, CZ, BI, GY	
<b>W</b>	<b>N</b>	<b>I</b>	<b>C</b>	<b>D</b>	<b>O 1</b>
			<p>W = 548mm D = 470mm H = 1030mm</p> 	175	

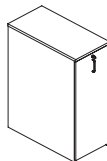
## Caddy with top 708 × 630 mm

<b>W</b>	<b>N</b>	<b>I</b>	<b>C</b>	<b>D</b>	<b>O 2</b>		
			H = 1135mm			215	

## Caddy with top 560 × 470 mm

<b>W</b>	<b>N</b>	<b>I</b>	<b>C</b>	<b>D</b>	<b>O 3</b>		
			H = 1135mm			208	

## Selfstanding Big Orga Tower

				<b>Melamine + 1</b>			
				Handles: AL, CZ, BI, GY			
<b>W</b>	<b>N</b>	<b>I</b>	<b>C</b>	<b>O 0 1</b>	<b>L</b>		
			<p>W = 400mm D = 800mm H = 1155mm</p> 	367			
			<b>L</b>	Left Orga Tower			
			<b>R</b>	Right Orga Tower			

For rectangular desks

the real length of  
wire trunking

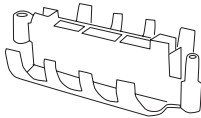
<b>W N I K K R 0 8</b>	800mm	590mm		23
<b>W N I K K R 1 0</b>	1000mm	590mm		23
<b>W N I K K R 1 2</b>	1200mm	590mm		23
<b>W N I K K R 1 4</b>	1400mm	590mm		23
<b>W N I K K R 1 6</b>	1600mm	790mm		25
<b>W N I K K R 1 8</b>	1800mm	990mm		28
<b>W N I K K R 2 0</b>	2000mm	1190mm		29

For L shape desks

the real length of  
wire trunking

<b>W N I K K L 1 2 1 2</b>	1200 × 1200 mm	590 × 590 mm		42
<b>W N I K K L 1 4 1 4</b>	1400 × 1400 mm	790 × 790 mm		46
<b>W N I K K L 1 6 1 2</b>	1600 × 1200 mm	590 × 590 mm		42
<b>W N I K K L 1 6 1 4</b>	1600 × 1400 mm	590 × 790 mm		44
<b>W N I K K L 1 6 1 6</b>	1600 × 1600 mm	590 × 990 mm		50
<b>W N I K K L 1 8 1 2</b>	1800 × 1200 mm	790 × 590 mm		44
<b>W N I K K L 1 8 1 4</b>	1800 × 1400 mm	790 × 790 mm		46
<b>W N I K K L 1 8 1 6</b>	1800 × 1600 mm	790 × 990 mm		53
<b>W N I K K L 2 0 1 2</b>	2000 × 1200 mm	990 × 590 mm		50
<b>W N I K K L 2 0 1 4</b>	2000 × 1400 mm	990 × 790 mm		53
<b>W N I K K L 2 0 1 6</b>	2000 × 1600 mm	990 × 990 mm		60

Modular plastic wire trunking

<b>W N I K K T 0 4</b>	set - 4 pcs		6
<b>W N I K K T 0 6</b>	set - 6 pcs		9
<b>W N I K K T 1 0</b>	set - 10 pcs		15

Cable clip fixed to the table top

<b>W N I K P 0 5</b>	set - 4 pcs		8
----------------------	-------------	--	---

# Wire trunking

## Vertical wire trunking

### Universal

<b>W N I</b>	<b>K P O 1</b>		L = 770mm	38
--------------	----------------	---	-----------	----

Colour of wire trunking: aluminium

### For C leg desks with integral modesty panel

<b>W N I</b>	<b>K P O 2</b>		L = 650mm	12
--------------	----------------	---	-----------	----

Colour of wire trunking: aluminium, white

### For C leg desks with metal beam with height adjustment

<b>W N I</b>	<b>K P O 3</b>		L = 615mm	21
--------------	----------------	---	-----------	----

Colour of wire trunking: aluminium, white

### For C leg desks with metal beam without height adjustment

<b>W N I</b>	<b>K P O 4</b>		L = 650mm	12
--------------	----------------	---	-----------	----

Colour of wire trunking: aluminium, white

## Vertical wire trunking

<b>W N I</b>	<b>K P O 6</b>		L = max 1300mm	49
--------------	----------------	---	----------------	----

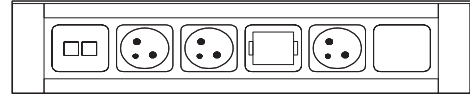
Colour of wire trunking: aluminium, transparent, black

### For square leg

<b>W N I</b>	<b>K P O 7</b>		L = 600mm	22
--------------	----------------	---	-----------	----

Colour of wire trunking: aluminium, white, black, grey

Conference table “barrel” electrical port  
IB connect, 4 ports (3 power sockets + 2 × RJ45)



<b>W</b>	<b>N</b>	<b>I</b>	<b>A</b>	<b>U</b>	<b>X</b>	<b>1</b>	<b>7</b>	<b>I</b>	<b>B</b>	<b>4</b>	<b>G</b>	<b>E</b>	<b>A</b>	<b>L</b>	German standard (without pin)		200
<b>W</b>	<b>N</b>	<b>I</b>	<b>A</b>	<b>U</b>	<b>X</b>	<b>1</b>	<b>7</b>	<b>I</b>	<b>B</b>	<b>4</b>	<b>F</b>	<b>R</b>	<b>A</b>	<b>L</b>	French standard (with pin)		200
<b>W</b>	<b>N</b>	<b>I</b>	<b>A</b>	<b>U</b>	<b>X</b>	<b>1</b>	<b>7</b>	<b>I</b>	<b>B</b>	<b>4</b>	<b>G</b>	<b>B</b>	<b>A</b>	<b>L</b>	British standard		224

Colour of electrical port only in silver





# eModel

## TABLE OF CONTENTS

<b>Technical description</b>	<b>53</b>
Desks, workbenches, high tables	54
Tops	54
Base/frame	54
Panels	56
Accessories	56
Wire trunking	56
Desk wire trunking	56
Workbench wire trunking	56
<b>Price list</b>	<b>57</b>
Desks	58-61
Workbenches	62
Conference tables	63
Panels	64-65
Electrical ports	65
Accessories	66-67

# Technical

**description**

# Description

## 1. Desks, workbenches, high tables

### 1.1 Tops

Tops are made of 25 mm melamine double faced chipboard (class E1) with a 2 mm edge. Optionally, the laser edge (2 mm) is available for chosen decors.

Available desktop shapes: rectangular, "barrel" and double wave.

### 1.2 Base/frame

The T-type leg is available for desks and tables.

Optional height adjustments:

- electric height adjustment,
- manual height adjustment with a crank,
- fixed height.

The T-type base with electric height adjustment is a threefold column made of a square profile, declining to the top, with dimensions: 70 × 70 mm, 61.5 × 61.5 mm, 53 × 53 mm. Every column is equipped with a drive which is linearly fixed

in the column profile. The base is finished with feet. The feet are equipped with plastic glides (levelling range: + 10 mm). In the version with a height-adjustable base with a crank, dimensions of the twofold column profiles are: 70 × 70 mm, 61.5 × 61.5 mm.

There are 2 feet versions for the T-type base: Foot model A and Foot model B.

Frame - 2 frame versions are available:

- fixed frame (electric or manual height adjustment) - desk with self-assembly,
- telescopic frame (electric height adjustment) - the base is partially assembled under factory conditions. The frame is adjustable in the range: 1200-1800mm.

The H-type frame is available for workbenches.

Optional height adjustments:

- electric height adjustment,
- manual height adjustment with a crank.

The H-type base consists of 4 square columns joined together with two crossbeams (60 × 60 mm). The structure of the column is the same as in the case of desks with a T-type base. Each column is finished with a plastic glide (levelling range: + 10 mm).

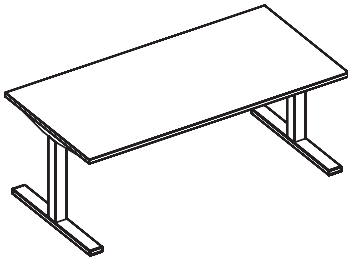
All desks and workbenches can be equipped with horizontal and vertical wire trunking, a PC holder and panels.

	ADJUSTMENT RANGE FOR DESKS AND TABLES, T-TYPE LEG				WORKBENCH H-TYPE BASE
	FIXED FRAME		TELESCOPIC FRAME		FIXED FRAME
	Foot model A	Foot model B	Foot model A	Foot model B	
Electric height adjustment	630-1290 mm	650-1310 mm	660-1320 mm	680-1340 mm	650-1310 mm
Manual height adjustment	630-980 mm	650-1000 mm	-	-	650-1000 mm
Fixed height	740 mm	760 mm	-	-	-

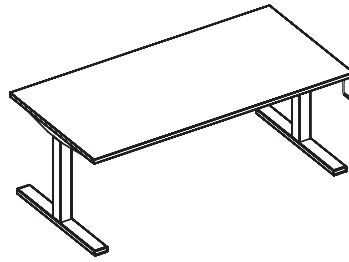
Technical parameters (applies to electric height adjustment):

- Anti-Collision technology - the column automatically detects all kinds of obstacles, which helps avoid damages
- protection against overheating
- soft start-stop
- smooth up-down movement
- speed: 38 mm/s noise <50 dB
- power consumption in the standby mode: 0.3 W load capacity: 100 kg (for the desktop/two columns)
- drive system: direct current, internal

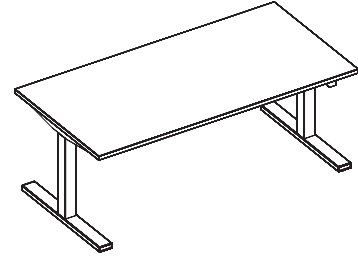
## Desks



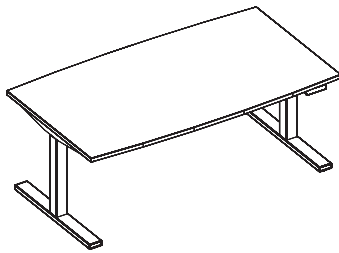
Rectangular desktop without height adjustment



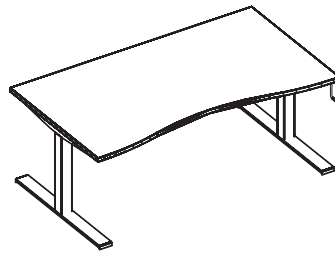
Rectangular desktop with manual height adjustment



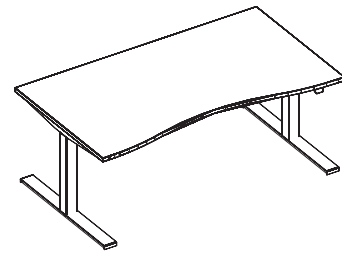
Rectangular desktop with electric height adjustment



"Barrel" desktop with electric height adjustment

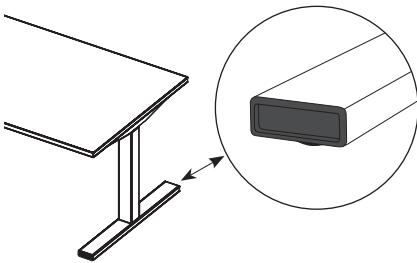


Double wave desktop with manual height adjustment

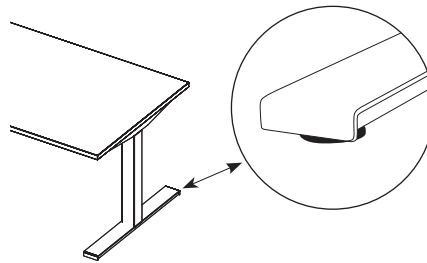


Double wave desktop with electric height adjustment

## Bases

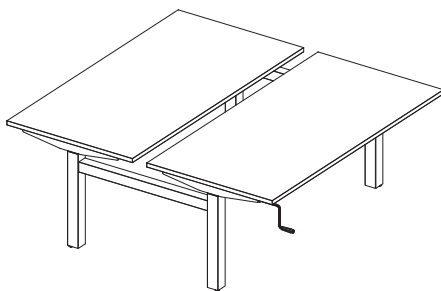


Model A

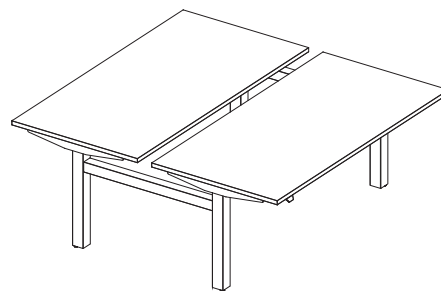


Model B

## Workbenches



Rectangular desktops with manual height adjustment with a crank



Rectangular desktops with electric height adjustment

# Description

## 2. Panels

The panel is fully upholstered and pinnable with a thickness of 32 mm.

### Desk panels

The panel is connected to the desk legs/columns using metal anchors. The anchors are available in the following colours: aluminium (RAL 9006), white (RAL 9010), and black (RAL 9005).

The panel total height is 890 mm. The upper edge height is 1330 mm above the floor. The panel width is dedicated to the following desk widths: 1200, 1400, 1600, 1800 and 2000 mm.

The eModel system offers:

- one-sided panels - for integration with one desk,
- both-sided panels - one shared panel for two desks.

### Workbench panels

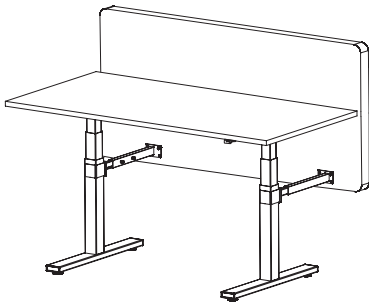
Panels are fixed to the beams using metal anchors.

The anchors are available in the following colours:

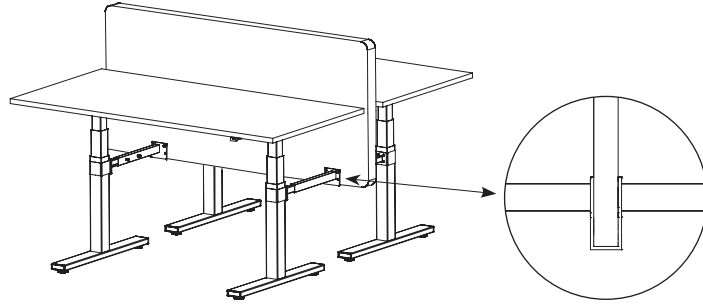
aluminium (RAL 9006), white (RAL 9010), and black (RAL 9005).

The panel height is 700 mm. The upper edge height is 1330 mm above the floor.

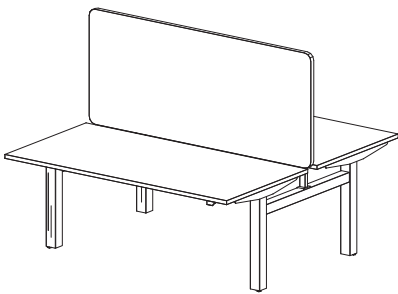
The panel width is dedicated to the following workbench widths: 1400, 1600 and 1800 mm.



Desk panel - fully upholstered for one desk



Desk panel - fully upholstered for two desks

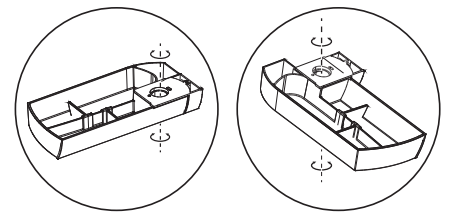


Workbench panel

## 3. Accessories

The metal PC holder is fixed to the desktop or workbench. The PC holder is available in aluminium (RAL 9006), white (RAL 9005), and black (RAL 9010).

The pencil tray is made of black material. Available sizes: 137 × 296 × 45 mm. It is fixed under the desktop on the right side and can be opened by the "push-to-open" method.



## 4. Wire trunking

### 4.1 Desk wire trunking

2 versions of horizontal metal wire trunking are available:

- adjustable (for the telescopic frame),
- foldable - length matches the desk width.

The vertical wire trunking is made of plastic and it has a spring form.

### 4.2 Workbench wire trunking

The shared horizontal wire trunking is available for workbenches. The horizontal wire trunking is made of metal with a depth of 70 mm and a width of 150 mm. Its length matches the desk width.

2 versions of vertical wire trunking are available:

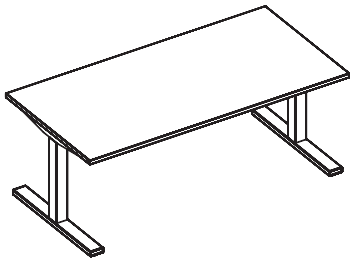
- shared,
- with a length of 1300 mm.

They are made of plastic.

# Price list

# Desks

## Desk without height adjustment, rectangular desktop



<b>N</b>	Without cable outlet
<b>L</b>	Left cable outlet
<b>R</b>	Right cable outlet
<b>M</b>	Middle cable outlet
<b>D</b>	Double (left & right) cable outlet
<b>G</b>	Double (left & middle) cable outlet
<b>F</b>	Double (right & middle) cable outlet

740 mm height (Foot model A)	<b>8</b>
760 mm height (Foot model B)	<b>9</b>

—	Universal outlet (standard packaging)
<b>A</b>	SQart outlet (reinforced packaging)

													width	depth	Melamine
<b>W</b>	<b>N</b>	<b>I</b>	<b>R</b>	<b>1</b>	<b>5</b>	<b>N</b>	<b>N</b>	<b>8</b>	<b>B</b>	<b>N</b>	<b>N</b>	—	1200 mm	700 mm	250
<b>W</b>	<b>N</b>	<b>I</b>	<b>R</b>	<b>1</b>	<b>6</b>	<b>N</b>	<b>N</b>	<b>8</b>	<b>B</b>	<b>N</b>	<b>N</b>	—	1400 mm		260
<b>W</b>	<b>N</b>	<b>I</b>	<b>R</b>	<b>1</b>	<b>7</b>	<b>N</b>	<b>N</b>	<b>8</b>	<b>B</b>	<b>N</b>	<b>N</b>	—	1600 mm		270
<b>W</b>	<b>N</b>	<b>I</b>	<b>R</b>	<b>1</b>	<b>8</b>	<b>N</b>	<b>N</b>	<b>8</b>	<b>B</b>	<b>N</b>	<b>N</b>	—	1800 mm		280

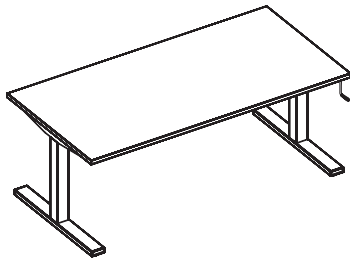
<b>W</b>	<b>N</b>	<b>I</b>	<b>R</b>	<b>0</b>	<b>6</b>	<b>N</b>	<b>N</b>	<b>8</b>	<b>B</b>	<b>N</b>	<b>N</b>	—	1200 mm	800 mm	260
<b>W</b>	<b>N</b>	<b>I</b>	<b>R</b>	<b>0</b>	<b>8</b>	<b>N</b>	<b>N</b>	<b>8</b>	<b>B</b>	<b>N</b>	<b>N</b>	—	1400 mm		270
<b>W</b>	<b>N</b>	<b>I</b>	<b>R</b>	<b>1</b>	<b>0</b>	<b>N</b>	<b>N</b>	<b>8</b>	<b>B</b>	<b>N</b>	<b>N</b>	—	1600 mm		280
<b>W</b>	<b>N</b>	<b>I</b>	<b>R</b>	<b>1</b>	<b>2</b>	<b>N</b>	<b>N</b>	<b>8</b>	<b>B</b>	<b>N</b>	<b>N</b>	—	1800 mm		290
<b>W</b>	<b>N</b>	<b>I</b>	<b>R</b>	<b>1</b>	<b>4</b>	<b>N</b>	<b>N</b>	<b>8</b>	<b>B</b>	<b>N</b>	<b>N</b>	—	2000 mm		300

<b>L</b>	Desktops with a 2 mm laser edge (surcharge: EUR 25)*
----------	--

\*Decors available with a laser edge: BI White, MB White Grey, MP Platinum, NB Beech Bright, NH Maple, NJ Acacia.



Desk with manual height adjustment, rectangular desktop



<b>N</b>	Without cable outlet
<b>L</b>	Left cable outlet
<b>R</b>	Right cable outlet
<b>M</b>	Middle cable outlet
<b>D</b>	Double (left & right) cable outlet
<b>G</b>	Double (left & middle) cable outlet
<b>F</b>	Double (right & middle) cable outlet

Foot model A	<b>8</b>
Foot model B	<b>9</b>

—	Universal outlet (standard packaging)
<b>A</b>	SQart outlet (reinforced packaging)

												width	depth	Melamine	
<b>W</b>	<b>N</b>	<b>I</b>	<b>R</b>	<b>1</b>	<b>5</b>	<b>K</b>	<b>N</b>	<b>8</b>	<b>N</b>	<b>N</b>	<b>N</b>	—	1200 mm	700 mm	510
<b>W</b>	<b>N</b>	<b>I</b>	<b>R</b>	<b>1</b>	<b>6</b>	<b>K</b>	<b>N</b>	<b>8</b>	<b>N</b>	<b>N</b>	<b>N</b>	—	1400 mm		520
<b>W</b>	<b>N</b>	<b>I</b>	<b>R</b>	<b>1</b>	<b>7</b>	<b>K</b>	<b>N</b>	<b>8</b>	<b>N</b>	<b>N</b>	<b>N</b>	—	1600 mm		530
<b>W</b>	<b>N</b>	<b>I</b>	<b>R</b>	<b>1</b>	<b>8</b>	<b>K</b>	<b>N</b>	<b>8</b>	<b>N</b>	<b>N</b>	<b>N</b>	—	1800 mm		540

<b>W</b>	<b>N</b>	<b>I</b>	<b>R</b>	<b>0</b>	<b>6</b>	<b>K</b>	<b>N</b>	<b>8</b>	<b>N</b>	<b>N</b>	<b>N</b>	—	1200 mm	800 mm	520
<b>W</b>	<b>N</b>	<b>I</b>	<b>R</b>	<b>0</b>	<b>8</b>	<b>K</b>	<b>N</b>	<b>8</b>	<b>N</b>	<b>N</b>	<b>N</b>	—	1400 mm		530
<b>W</b>	<b>N</b>	<b>I</b>	<b>R</b>	<b>1</b>	<b>0</b>	<b>K</b>	<b>N</b>	<b>8</b>	<b>N</b>	<b>N</b>	<b>N</b>	—	1600 mm		540
<b>W</b>	<b>N</b>	<b>I</b>	<b>R</b>	<b>1</b>	<b>2</b>	<b>K</b>	<b>N</b>	<b>8</b>	<b>N</b>	<b>N</b>	<b>N</b>	—	1800 mm		550
<b>W</b>	<b>N</b>	<b>I</b>	<b>R</b>	<b>1</b>	<b>4</b>	<b>K</b>	<b>N</b>	<b>8</b>	<b>N</b>	<b>N</b>	<b>N</b>	—	2000 mm		560

<b>W</b>	<b>N</b>	<b>I</b>	<b>R</b>	<b>2</b>	<b>1</b>	<b>K</b>	<b>N</b>	<b>8</b>	<b>N</b>	<b>N</b>	<b>N</b>	—	1400 mm	900 mm	540
<b>W</b>	<b>N</b>	<b>I</b>	<b>R</b>	<b>2</b>	<b>2</b>	<b>K</b>	<b>N</b>	<b>8</b>	<b>N</b>	<b>N</b>	<b>N</b>	—	1600 mm		550
<b>W</b>	<b>N</b>	<b>I</b>	<b>R</b>	<b>2</b>	<b>3</b>	<b>K</b>	<b>N</b>	<b>8</b>	<b>N</b>	<b>N</b>	<b>N</b>	—	1800 mm		560
<b>W</b>	<b>N</b>	<b>I</b>	<b>R</b>	<b>2</b>	<b>4</b>	<b>K</b>	<b>N</b>	<b>8</b>	<b>N</b>	<b>N</b>	<b>N</b>	—	2000 mm		570

<b>W</b>	<b>N</b>	<b>I</b>	<b>R</b>	<b>2</b>	<b>5</b>	<b>K</b>	<b>N</b>	<b>8</b>	<b>N</b>	<b>N</b>	<b>N</b>	—	1400 mm	1000 mm	550
<b>W</b>	<b>N</b>	<b>I</b>	<b>R</b>	<b>2</b>	<b>6</b>	<b>K</b>	<b>N</b>	<b>8</b>	<b>N</b>	<b>N</b>	<b>N</b>	—	1600 mm		560
<b>W</b>	<b>N</b>	<b>I</b>	<b>R</b>	<b>2</b>	<b>7</b>	<b>K</b>	<b>N</b>	<b>8</b>	<b>N</b>	<b>N</b>	<b>N</b>	—	1800 mm		570
<b>W</b>	<b>N</b>	<b>I</b>	<b>R</b>	<b>2</b>	<b>8</b>	<b>K</b>	<b>N</b>	<b>8</b>	<b>N</b>	<b>N</b>	<b>N</b>	—	2000 mm		580

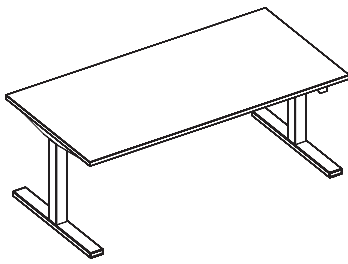
<b>L</b>	Desktops with a 2 mm laser edge (surcharge: EUR 25)*
----------	--

\*Decors available with a laser edge: BI White, MB White Grey, MP Platinum, NB Beech Bright, NH Maple, NJ Acacia.

# Desks

## Desk with electric height adjustment, rectangular desktop

eModel



<b>N</b>	Without cable outlet
<b>L</b>	Left cable outlet
<b>R</b>	Right cable outlet
<b>M</b>	Middle cable outlet
<b>D</b>	Double (left & right) cable outlet
<b>G</b>	Double (left & middle) cable outlet
<b>F</b>	Double (right & middle) cable outlet

<b>E</b>	EU standard/HCU up/down
<b>X</b>	EU standard/display and memory function HCU (surcharge: EUR 30)
<b>G</b>	CH standard/HCU up/down
<b>Z</b>	CH standard/display and memory function HCU (surcharge: EUR 30)
<b>I</b>	GB standard/HCU up/down
<b>Y</b>	GB standard/display and memory function HCU (surcharge: EUR 30)

Without Anti-Collision System		<b>N</b>
With Anti-Collision System (surcharge: EUR 30)		<b>A</b>

Foot model A	<b>8</b>
Foot model B	<b>9</b>

<b>—</b>	Universal outlet (standard packaging)
<b>A</b>	SQart outlet (reinforced packaging)

															<b>Melamine</b>
											width	depth			
<b>W</b>	<b>N</b>	<b>I</b>	<b>R</b>	<b>1</b>	<b>5</b>	<b>F</b>	<b>N</b>	<b>8</b>	<b>N</b>	<b>N</b>	<b>E</b>	<b>—</b>	1200 mm	700 mm	690
<b>W</b>	<b>N</b>	<b>I</b>	<b>R</b>	<b>1</b>	<b>6</b>	<b>F</b>	<b>N</b>	<b>8</b>	<b>N</b>	<b>N</b>	<b>E</b>	<b>—</b>	1400 mm		700
<b>W</b>	<b>N</b>	<b>I</b>	<b>R</b>	<b>1</b>	<b>7</b>	<b>F</b>	<b>N</b>	<b>8</b>	<b>N</b>	<b>N</b>	<b>E</b>	<b>—</b>	1600 mm		710
<b>W</b>	<b>N</b>	<b>I</b>	<b>R</b>	<b>1</b>	<b>8</b>	<b>F</b>	<b>N</b>	<b>8</b>	<b>N</b>	<b>N</b>	<b>E</b>	<b>—</b>	1800 mm		720
<b>W</b>	<b>N</b>	<b>I</b>	<b>R</b>	<b>0</b>	<b>6</b>	<b>F</b>	<b>N</b>	<b>8</b>	<b>N</b>	<b>N</b>	<b>E</b>	<b>—</b>	1200 mm	800 mm	700
<b>W</b>	<b>N</b>	<b>I</b>	<b>R</b>	<b>0</b>	<b>8</b>	<b>F</b>	<b>N</b>	<b>8</b>	<b>N</b>	<b>N</b>	<b>E</b>	<b>—</b>	1400 mm		710
<b>W</b>	<b>N</b>	<b>I</b>	<b>R</b>	<b>1</b>	<b>0</b>	<b>F</b>	<b>N</b>	<b>8</b>	<b>N</b>	<b>N</b>	<b>E</b>	<b>—</b>	1600 mm		720
<b>W</b>	<b>N</b>	<b>I</b>	<b>R</b>	<b>1</b>	<b>2</b>	<b>F</b>	<b>N</b>	<b>8</b>	<b>N</b>	<b>N</b>	<b>E</b>	<b>—</b>	1800 mm		730
<b>W</b>	<b>N</b>	<b>I</b>	<b>R</b>	<b>1</b>	<b>4</b>	<b>F</b>	<b>N</b>	<b>8</b>	<b>N</b>	<b>N</b>	<b>E</b>	<b>—</b>	2000 mm*		740
<b>W</b>	<b>N</b>	<b>I</b>	<b>R</b>	<b>2</b>	<b>1</b>	<b>F</b>	<b>N</b>	<b>8</b>	<b>N</b>	<b>N</b>	<b>E</b>	<b>—</b>	1400 mm	900 mm	720
<b>W</b>	<b>N</b>	<b>I</b>	<b>R</b>	<b>2</b>	<b>2</b>	<b>F</b>	<b>N</b>	<b>8</b>	<b>N</b>	<b>N</b>	<b>E</b>	<b>—</b>	1600 mm		730
<b>W</b>	<b>N</b>	<b>I</b>	<b>R</b>	<b>2</b>	<b>3</b>	<b>F</b>	<b>N</b>	<b>8</b>	<b>N</b>	<b>N</b>	<b>E</b>	<b>—</b>	1800 mm		740
<b>W</b>	<b>N</b>	<b>I</b>	<b>R</b>	<b>2</b>	<b>4</b>	<b>F</b>	<b>N</b>	<b>8</b>	<b>N</b>	<b>N</b>	<b>E</b>	<b>—</b>	2000 mm*		750
<b>W</b>	<b>N</b>	<b>I</b>	<b>R</b>	<b>2</b>	<b>5</b>	<b>F</b>	<b>N</b>	<b>8</b>	<b>N</b>	<b>N</b>	<b>E</b>	<b>—</b>	1400 mm	1000 mm*	730
<b>W</b>	<b>N</b>	<b>I</b>	<b>R</b>	<b>2</b>	<b>6</b>	<b>F</b>	<b>N</b>	<b>8</b>	<b>N</b>	<b>N</b>	<b>E</b>	<b>—</b>	1600 mm		740
<b>W</b>	<b>N</b>	<b>I</b>	<b>R</b>	<b>2</b>	<b>7</b>	<b>F</b>	<b>N</b>	<b>8</b>	<b>N</b>	<b>N</b>	<b>E</b>	<b>—</b>	1800 mm		750
<b>W</b>	<b>N</b>	<b>I</b>	<b>R</b>	<b>2</b>	<b>8</b>	<b>F</b>	<b>N</b>	<b>8</b>	<b>N</b>	<b>N</b>	<b>E</b>	<b>—</b>	2000 mm		760

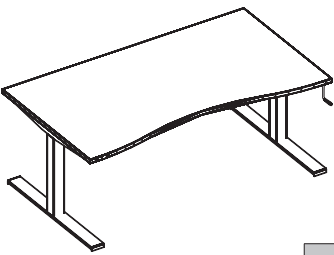
<b>F</b>	Fixed frame
<b>E</b>	Telescopic frame (surcharge: EUR 100)

<b>L</b>	Desktops with a 2mm laser edge** (surcharge: EUR 25)
----------	--

\*Desktops with a width of 2000 mm and desktops with a depth of 1000 mm are available only with a fixed frame.

\*\*Decors available with a laser edge: BI White, MB White Grey, MP Platinum, NB Beech Bright, NH Maple, NJ Acacia.

Desk with manual height adjustment, double wave desktop



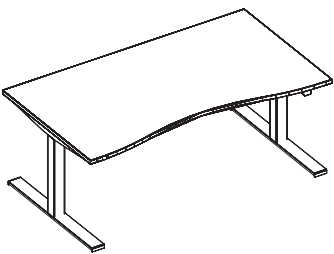
<b>N</b>	Without cable outlet
<b>L</b>	Left cable outlet
<b>R</b>	Right cable outlet
<b>M</b>	Middle cable outlet
<b>D</b>	Double (left & right) cable outlet
<b>G</b>	Double (left & middle) cable outlet
<b>F</b>	Double (right & middle) cable outlet

Foot model A	<b>8</b>
Foot model B	<b>9</b>

											width	depth	Melamine
<b>W</b>	<b>N</b>	<b>I</b>	<b>D</b>	<b>2</b>	<b>1</b>	<b>K</b>	<b>N</b>	<b>8</b>	<b>N</b>	<b>N</b>	1400 mm	900/900 mm	545
<b>W</b>	<b>N</b>	<b>I</b>	<b>D</b>	<b>2</b>	<b>2</b>	<b>K</b>	<b>N</b>	<b>8</b>	<b>N</b>	<b>N</b>	1600 mm		555
<b>W</b>	<b>N</b>	<b>I</b>	<b>D</b>	<b>2</b>	<b>3</b>	<b>K</b>	<b>N</b>	<b>8</b>	<b>N</b>	<b>N</b>	1800 mm		565
<b>W</b>	<b>N</b>	<b>I</b>	<b>D</b>	<b>2</b>	<b>4</b>	<b>K</b>	<b>N</b>	<b>8</b>	<b>N</b>	<b>N</b>	2000 mm*		575

<b>L</b>	Desktops with a 2 mm laser edge** (surcharge: EUR 25)
----------	---

Desk with electric height adjustment, double wave desktop



<b>N</b>	Without cable outlet
<b>L</b>	Left cable outlet
<b>R</b>	Right cable outlet
<b>M</b>	Middle cable outlet
<b>D</b>	Double (left & right) cable outlet
<b>G</b>	Double (left & middle) cable outlet
<b>F</b>	Double (right & middle) cable outlet

Without Anti-Collision System	<b>N</b>
With Anti-Collision system (surcharge: EUR 30)	<b>A</b>

Foot model A	<b>8</b>
Foot model B	<b>9</b>

<b>E</b>	EU standard/HCU up/down
<b>X</b>	EU standard/display and memory function HCU (surcharge: EUR 30)
<b>G</b>	CH standard/HCU up/down
<b>Z</b>	CH standard/display and memory function HCU (surcharge: EUR 30)
<b>I</b>	GB standard/HCU up/down
<b>Y</b>	GB standard/display and memory function HCU (surcharge: EUR 30)

—	Universal outlet (standard packaging)
<b>A</b>	SQart outlet (reinforced packaging)

											width	depth	Melamine		
<b>W</b>	<b>N</b>	<b>I</b>	<b>D</b>	<b>2</b>	<b>1</b>	<b>F</b>	<b>N</b>	<b>8</b>	<b>N</b>	<b>N</b>	<b>E</b>	—	1400 mm	900/900 mm	725
<b>W</b>	<b>N</b>	<b>I</b>	<b>D</b>	<b>2</b>	<b>2</b>	<b>F</b>	<b>N</b>	<b>8</b>	<b>N</b>	<b>N</b>	<b>E</b>	—	1600 mm		735
<b>W</b>	<b>N</b>	<b>I</b>	<b>D</b>	<b>2</b>	<b>3</b>	<b>F</b>	<b>N</b>	<b>8</b>	<b>N</b>	<b>N</b>	<b>E</b>	—	1800 mm		745
<b>W</b>	<b>N</b>	<b>I</b>	<b>D</b>	<b>2</b>	<b>4</b>	<b>F</b>	<b>N</b>	<b>8</b>	<b>N</b>	<b>N</b>	<b>E</b>	—	2000 mm*		755

<b>F</b>	Fixed frame
<b>E</b>	Telescopic frame (surcharge: EUR 100)

<b>L</b>	Desktops with a 2 mm laser edge** (surcharge: EUR 25)
----------	---

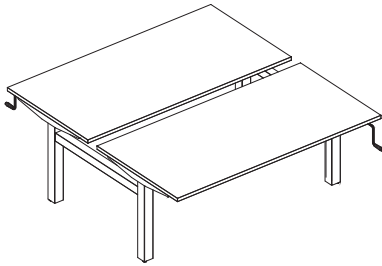
\* Desks with a width of 2000 mm are available with a fixed frame.

\*\* Decors available with a laser edge: BI White, MB White Grey, MP Platinum, NB Beech Bright, NH Maple, NJ Acacia.

# Workbenches

## Workbench with manual height adjustment, rectangular desktops

eModel

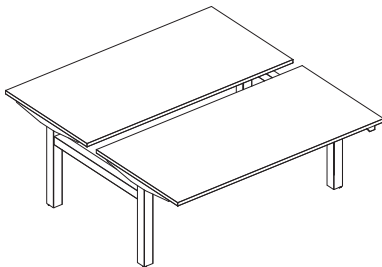


<b>N</b>	Without cable outlet
<b>L</b>	2 x left cable outlet
<b>R</b>	2 x right cable outlet
<b>M</b>	2 x middle cable outlet
<b>D</b>	2 x double (left & right) cable outlet
<b>G</b>	2 x double (left & middle) cable outlet
<b>F</b>	2 x double (right & middle) cable outlet

													width	depth	melamine
<b>W</b>	<b>N</b>	<b>I</b>	<b>W</b>	<b>E</b>	<b>R</b>	<b>0</b>	<b>8</b>	<b>K</b>	<b>N</b>	<b>H</b>	<b>N</b>	<b>N</b>	1400 mm	800 mm	930
<b>W</b>	<b>N</b>	<b>I</b>	<b>W</b>	<b>E</b>	<b>R</b>	<b>1</b>	<b>0</b>	<b>K</b>	<b>N</b>	<b>H</b>	<b>N</b>	<b>N</b>	1600 mm		950
<b>W</b>	<b>N</b>	<b>I</b>	<b>W</b>	<b>E</b>	<b>R</b>	<b>1</b>	<b>2</b>	<b>K</b>	<b>N</b>	<b>H</b>	<b>N</b>	<b>N</b>	1800 mm		970

**L** Desktops with a 2 mm laser edge\* (surcharge: EUR 50)

## Workbench with electric height adjustment, rectangular desktops



<b>N</b>	Without cable outlet
<b>L</b>	2 x left cable outlet
<b>R</b>	2 x right cable outlet
<b>M</b>	2 x middle cable outlet
<b>D</b>	2 x double (left & right) cable outlet
<b>G</b>	2 x double (left & middle) cable outlet
<b>F</b>	2 x double (right & middle) cable outlet

Without Anti-Collision System	<b>N</b>
With Anti-Collision System (surcharge: EUR 60)	<b>A</b>

<b>E</b>	EU standard/HCU up/down
<b>X</b>	EU standard/display and memory function (surcharge: EUR 60)
<b>G</b>	CH standard/HCU up/down
<b>Z</b>	CH standard/display and memory function HCU (surcharge: EUR 60)
<b>I</b>	GB standard/HCU up/down
<b>Y</b>	GB standard/display and memory function HCU (surcharge: EUR 60)

													width	depth	Melamine	
<b>W</b>	<b>N</b>	<b>I</b>	<b>W</b>	<b>E</b>	<b>R</b>	<b>1</b>	<b>6</b>	<b>F</b>	<b>N</b>	<b>H</b>	<b>N</b>	<b>N</b>	<b>E</b>	1400 mm	700 mm	1360
<b>W</b>	<b>N</b>	<b>I</b>	<b>W</b>	<b>E</b>	<b>R</b>	<b>1</b>	<b>7</b>	<b>F</b>	<b>N</b>	<b>H</b>	<b>N</b>	<b>N</b>	<b>E</b>	1600 mm		1380
<b>W</b>	<b>N</b>	<b>I</b>	<b>W</b>	<b>E</b>	<b>R</b>	<b>1</b>	<b>8</b>	<b>F</b>	<b>N</b>	<b>H</b>	<b>N</b>	<b>N</b>	<b>E</b>	1800 mm		1400

<b>W</b>	<b>N</b>	<b>I</b>	<b>W</b>	<b>E</b>	<b>R</b>	<b>0</b>	<b>8</b>	<b>F</b>	<b>N</b>	<b>H</b>	<b>N</b>	<b>N</b>	<b>E</b>	1400 mm	800 mm	1380
<b>W</b>	<b>N</b>	<b>I</b>	<b>W</b>	<b>E</b>	<b>R</b>	<b>1</b>	<b>0</b>	<b>F</b>	<b>N</b>	<b>H</b>	<b>N</b>	<b>N</b>	<b>E</b>	1600 mm		1400
<b>W</b>	<b>N</b>	<b>I</b>	<b>W</b>	<b>E</b>	<b>R</b>	<b>1</b>	<b>2</b>	<b>F</b>	<b>N</b>	<b>H</b>	<b>N</b>	<b>N</b>	<b>E</b>	1800 mm		1420

**L** Desktops with a 2 mm laser edge\* (surcharge: EUR 50)

\*Decors available with a laser edge: BI White, MB White Grey, MP Platinum, NB Beech Bright, NH Maple, NJ Acacia.

## Conference table with electric height adjustment, “barrel” desktop

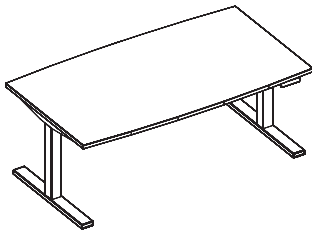


Table top with holes		<b>N</b>
Table top(s) for electric ports		<b>E</b>
Table top(s) for cable outlets		<b>P</b>

Table top without holes***		<b>N</b>
Left cable outlet/electric port***		<b>L</b>
Right cable outlet/electric port***		<b>R</b>
Double (left & right) cable outlet/electric port***		<b>D</b>

EU standard/HCU up/down		<b>E</b>
EU standard/display and memory function (surcharge: EUR 30)		<b>X</b>
CH standard/HCU up/down		<b>G</b>
CH standard/HCU up/down		<b>Z</b>
CH standard/display and memory function HCU (surcharge: EUR 30)		<b>I</b>
GB standard/display and memory function HCU (surcharge: EUR 30)		<b>Y</b>

Without Anti-Collision System		<b>N</b>
With Anti-Collision System (surcharge: EUR 30)		<b>A</b>

Foot model A		<b>8</b>
Foot model B		<b>9</b>

Universal outlet (standard packaging)		—
SQart outlet (reinforced packaging)		<b>A</b>

		width	depth	Melamine
<b>W</b>	<b>N</b>	1600 mm	800/900 mm	730
<b>W</b>	<b>N</b>	1800 mm		740
<b>W</b>	<b>N</b>	2000 mm*		750

<b>F</b> Fixed frame	
<b>E</b> Telescopic frame (surcharge: EUR 100)	

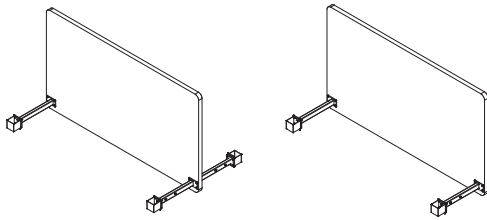
<b>L</b>	Table tops with a 2 mm laser edge** (surcharge: EUR 25)
----------	---

\*Table tops a width of 2000mm width are available only with a fixed frame.

\*\*Decors available with a laser edge: BI White, MB White Grey, MP Platinum, NB Beech Bright, NH Maple, NJ Acacia.

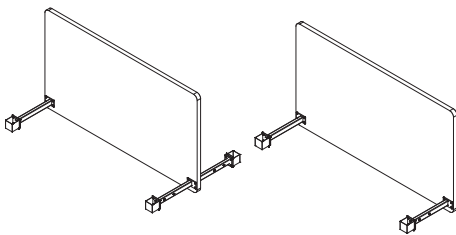
\*\*\*Cable outlet is available as a standard feature. Extra charge for an electric port.

## Upholstered one-piece lower panel for desks with a depth of 700 mm



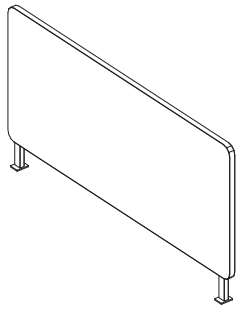
									<b>D</b>	Upholstered one-piece lower panel, double-sided				
									—	Upholstered one-piece lower panel, one-sided				
											<b>Fabric</b>			
											<b>price group 2</b>		<b>price group 4</b>	
											—	D	—	D
									width					
<b>W</b>	<b>N</b>	<b>I</b>	<b>P</b>	<b>K</b>	<b>T</b>	<b>1</b>	<b>2</b>	<b>7</b>	—	1200 mm	255	320	295	360
<b>W</b>	<b>N</b>	<b>I</b>	<b>P</b>	<b>K</b>	<b>T</b>	<b>1</b>	<b>4</b>	<b>7</b>	—	1400 mm	280	360	320	400
<b>W</b>	<b>N</b>	<b>I</b>	<b>P</b>	<b>K</b>	<b>T</b>	<b>1</b>	<b>6</b>	<b>7</b>	—	1600 mm	305	385	345	425
<b>W</b>	<b>N</b>	<b>I</b>	<b>P</b>	<b>K</b>	<b>T</b>	<b>1</b>	<b>8</b>	<b>7</b>	—	1800 mm	325	405	365	445

## Upholstered one-piece lower panel for desks with a depth of 800 mm and 900 mm



									<b>D</b>	Upholstered one-piece lower panel, double-sided				
									—	Upholstered one-piece lower panel, one-sided				
											<b>Fabric</b>			
											<b>price group 2</b>		<b>price group 4</b>	
											—	D	—	D
									width					
<b>W</b>	<b>N</b>	<b>I</b>	<b>P</b>	<b>K</b>	<b>T</b>	<b>1</b>	<b>2</b>	<b>—</b>	1200 mm	270	335	310	375	
<b>W</b>	<b>N</b>	<b>I</b>	<b>P</b>	<b>K</b>	<b>T</b>	<b>1</b>	<b>4</b>	<b>—</b>	1400 mm	295	360	335	400	
<b>W</b>	<b>N</b>	<b>I</b>	<b>P</b>	<b>K</b>	<b>T</b>	<b>1</b>	<b>6</b>	<b>—</b>	1600 mm	320	385	360	425	
<b>W</b>	<b>N</b>	<b>I</b>	<b>P</b>	<b>K</b>	<b>T</b>	<b>1</b>	<b>8</b>	<b>—</b>	1800 mm	340	405	380	445	
<b>W</b>	<b>N</b>	<b>I</b>	<b>P</b>	<b>K</b>	<b>T</b>	<b>2</b>	<b>0</b>	<b>—</b>	2000 mm	360	425	400	465	

Upholstered panel for workbenches



								width	height	Fabric price group 2	Fabric price group 4
W	N	I	P	E	T	1	4	1400 mm	700 mm	250	330
W	N	I	P	E	T	1	6	1600 mm		270	360
W	N	I	P	E	T	1	8	1800 mm		290	390

**Electrical ports**

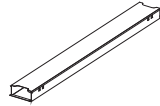
Round electric port A&H Meyer Point: 3 ports,  
1 power socket, 1 × RJ45 + 1 × USB

W	N	C	A	U	X	O	1	A	H	G	E	C	R	German standard (without a pin)		101
W	N	C	A	U	X	O	1	A	H	F	R	C	R	French standard (with a pin)		104
W	N	C	A	U	X	O	1	A	H	G	B	C	R	British standard		110
W	N	C	A	U	X	O	1	A	H	C	H	C	R	Swiss standard		118

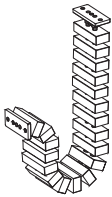
The port is available only as a matte chrome version.

# Accessories


## Shared horizontal wire trunking for workbenches

								for desk width	depth		Metal AL, CZ, BI	
W	N	I	A	U	X	3	4	1400 mm	70 mm			50
W	N	I	A	U	X	3	5	1600 mm				60
W	N	I	A	U	X	3	6	1800 mm				70

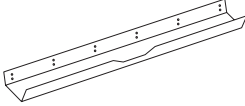
## Vertical wire trunking

									Plastic AL, CZ, BI
W	N	I	K	P	0	8	shared		120
W	N	I	K	P	0	9	1300 mm		60

## Adjustable horizontal wire trunking

									Metal AL, BI, CZ
W	N	I	K	K	R	0	0		

## Foldable horizontal wire trunking

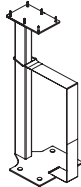
										Metal AL, BI, CZ	
										length	
W	N	I	K	K	R	1	2	E		1200 mm	30
W	N	I	K	K	R	1	4	E		1400 mm	40
W	N	I	K	K	R	1	6	E		1600 mm	50
W	N	I	K	K	R	1	8	E		1800 mm	55
W	N	I	K	K	R	2	0	E	2000 mm	60	



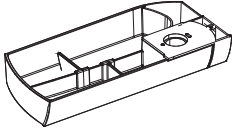
Vertical wire trunking

W	N	I	K	P	0	6	 <p>maximum length 1300 mm</p>	Plastic AL, CZ, transparent
								48

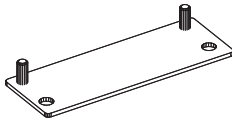
PC holder

W	N	I	C	P	U	S		Metal AL, BI, CZ
								45

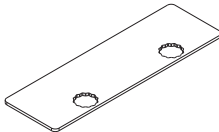
Rotating pencil tray

W	N	A	A	U	X	0	6		Transparent plastic
									35

Desk base divider

W	N	I	A	U	X	3	2		Metal AL, BI, CZ
									10

Workbench base divider

W	N	I	A	U	X	3	9		Metal AL, BI, CZ
									9



# Play&Work

## TABLE OF CONTENTS

<b>Technical description</b>	<b>71</b>	<b>Ordering</b>	<b>83</b>
Freestanding desks with a U-shaped base/desks for integration with a cabinet	72	Desk for integration with a cabinet	84
Freestanding desks with a T-shaped base	73	Workbench workstation	85
Freestanding desks with a U-shaped base – rectangular desktops made of cellular board	74	Workbench with rectangular tops	85
Workbench workstations with a U-shaped base/workbench workstations for integration with a cabinet	74	Workbench for integration with cabinets	86–87
Height-adjustable workbench workstations on an H-shaped base	75	High table for integration with a cabinet	88
Desks with a U-shaped base for integration with a sideboard	76		
Sideboards	76	<b>Price list</b>	<b>89</b>
Accessories	76	Desks	90–101
Cabinets for integration with desks/workbenches with a U-shaped base	77	Workbench	102–108
One-sided cabinets for integration with a single desk/workbench	77	Desks	109
Double-sided cabinets for integration with two desks/workbenches	78	Workbench	110–112
Arrangements	78	Cabinets	113–118
Freestanding cabinets	79	Desks	119
One-sided freestanding cabinets	79	Sideboards	120
Double-sided freestanding cabinets	79	Panels	121–126
Cabinets with a seat	79	Cabinets	127–129
Big Orga Tower	80	Low cabinets	130–131
High table for integration with a cabinet	80	Big Orga Tower	132–133
Lockers cabinet	81	High table	134
Lockers cabinet – color configuration	81	Lockers	135–136
		Accessories	137–142

# Technical

**description**

# Description

## 1. Freestanding desks with a U-shaped base/desks for integration with a cabinet

The desk has a solid, resistant metal counter supporting structure that consists of a base and a frame, to which the desktop is fixed.

**Desktops** are available in three different finishes:

- melamine - 25 mm double faced melamine chipboard, class E1,
- laminate - 25 mm chipboard coated with HPL laminate on both sides; the underside of the desktop is covered with grey backing laminate,
- linoleum - 24 mm birch plywood coated with natural furniture linoleum; the underside of the desktop is covered with grey backing paper.

**Frame** - made of a rectangular 30 x 40 x 3 mm steel profile that ensures there is the support where needed. The frame is powder-coated.

The U-shaped base (O-type legs) is made of a Ø40 mm, 2 mm thick profile, which is attached to the frame beams.

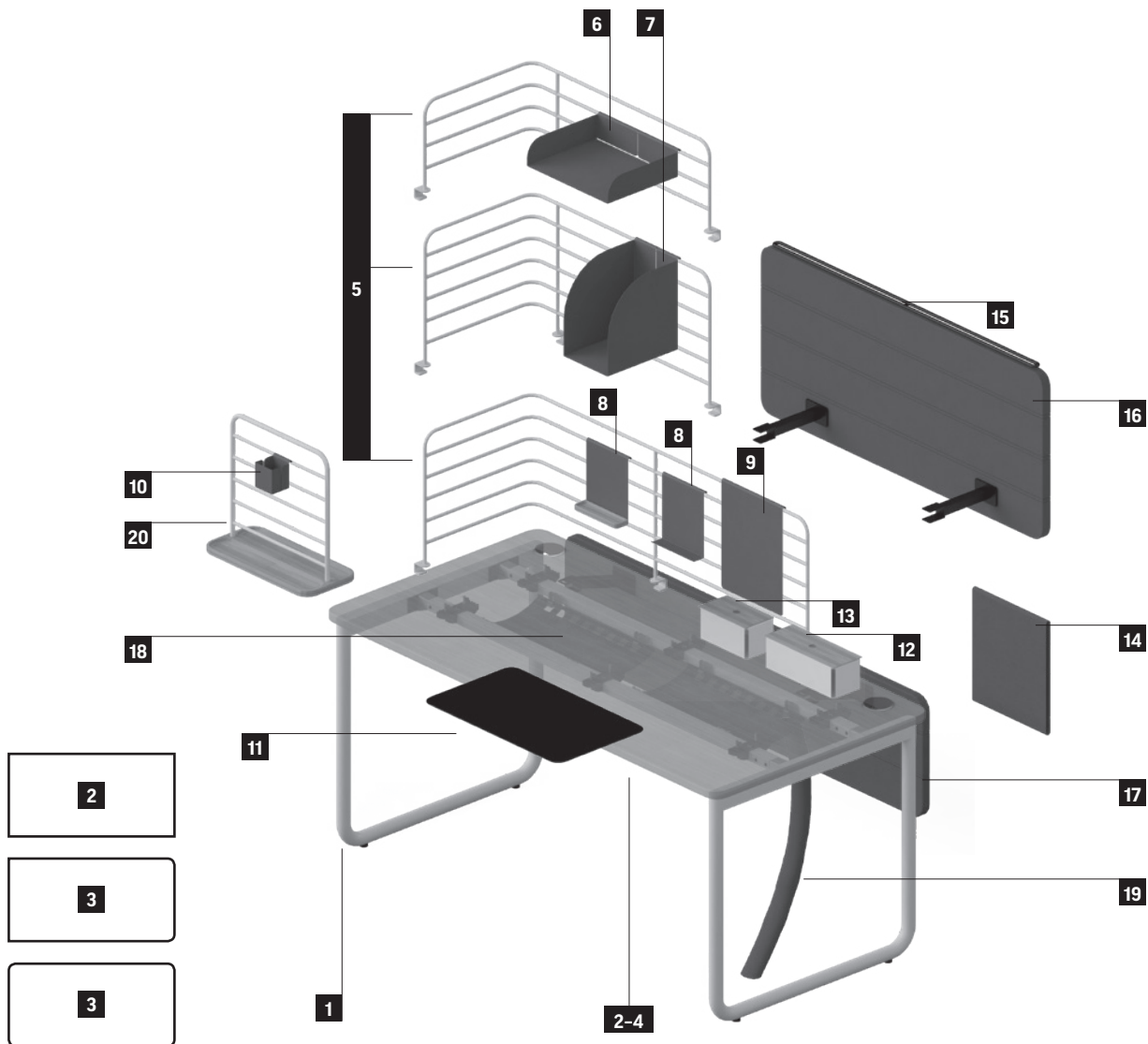
**Base** - is rounded to a 40 mm radius (inner radius). The upper leg beam is made of a 40 x 50 x 3 mm steel profile.

The system offers the following desktop types:

- rectangular desktops,
- desktops rounded to a 50 mm radius - on one side or on both sides.

Desks with Rectangular tops or tops rounded on one side can be integrated with a cabinet. Additionally, 2 mm laser edge banding versions are available - for a surcharge - to melamines desktops. Decors available with laser edge for melamines are: BI White, NH Maple, MP Platinum, NJ Acacia.

The frame structure enables desks to be fitted with horizontal wire trunking. The trunking is assembled using plastic anchors. The same anchors are also used to fit desks with vertical wire trunking.



- |   |                                   |  |
|---|-----------------------------------|--|
| <b>1</b> U-shaped metal base                          | <b>9</b> Magnetic board           | <b>17</b> Bottom upholstered panel     |
| <b>2</b> Rectangular desktop                          | <b>10</b> Pencil box              | <b>18</b> Horizontal wire trunking     |
| <b>3</b> One-side rounded desktop                     | <b>11</b> Leather pad             | <b>19</b> Vertical wire trunking       |
| <b>4</b> Desktop rounded on both sides (freestanding) | <b>12</b> Media Box               | <b>20</b> Freestanding metal organiser |
| <b>5</b> Metal panels                                 | <b>13</b> Media Box Mini          |  |
| <b>6</b> Horizontal shelf (A4)                        | <b>14</b> Upholstered pad         |  |
| <b>7</b> Binder box                                   | <b>15</b> Organiser strip         |  |
| <b>8</b> Magnetic board with a pencil tray            | <b>16</b> Upper upholstered panel |  |

## 2. Freestanding desks with a T-shaped base

The desk has a solid metal structure that consists of a T-shaped base and a frame, to which the desktop is fixed.

**Desktops** are available in three different finishes:

- melamine - 25 mm double faced melamine chipboard, class E1,
- laminate - 25 mm chipboard coated with HPL laminate on both sides; the underside of the desktop is covered with grey backing laminate,
- linoleum - 24 mm birch plywood coated with natural furniture linoleum; the underside of the desktop is covered with grey backing paper.

The following types of desktop are available:

- rectangular desktops,
- desktops rounded to a 50 mm radius on both sides.

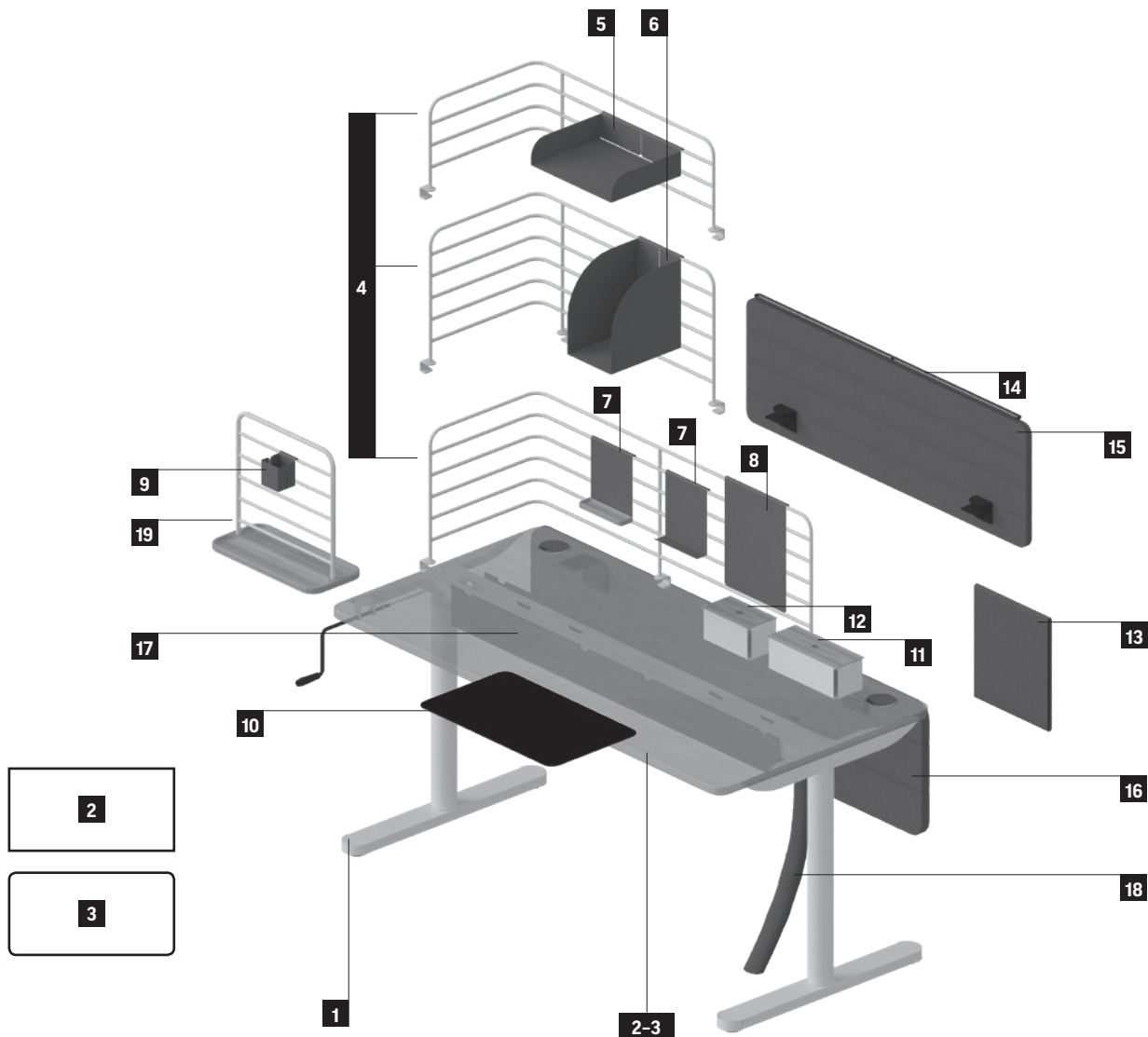
Additionally, 2 mm laser edge banding versions are available for a surcharge to melamines desktops. Decors available with laser edge for melamines are: BI White, NH Maple, MP Platinum, NJ Acacia.

The **metal desk frame** comprises a beam made of a rectangular 102 x 50 x 3 mm steel profile and 50 mm high desktop brackets. The frame is powder-coated. The T-shaped base made of a Ø70 mm, 2 mm thick round profile (outer profile diameter) is attached to the beam and brackets. The frame structure enables desks to be fitted with vertical wire trunking. The trunking is assembled using dedicated plastic connectors. Upholstered horizontal wire trunking is also available, fixed directly to the desktop.

**Base** - it consists of a column made of a Ø70 mm round profile (outer profile diameter) and a foot with rounded edges and the following dimensions: height 30 mm, width 80 mm.

The following types of T-shaped base are available:

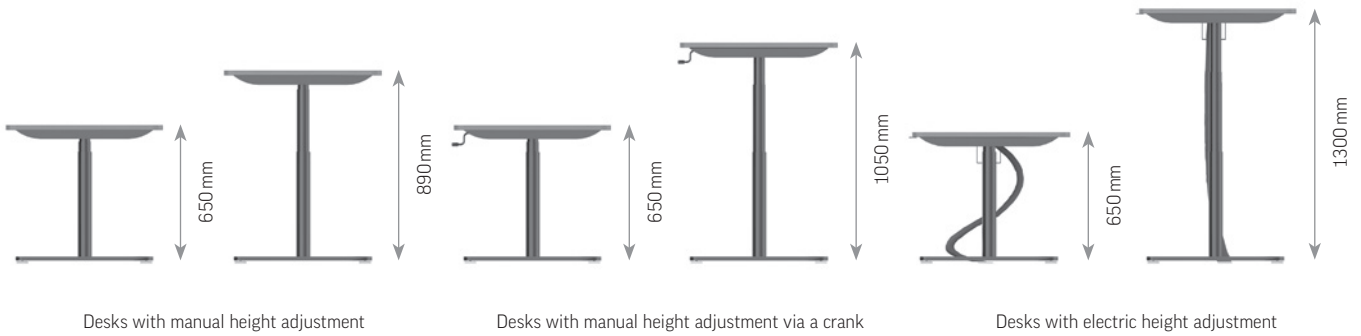
- without height adjustment - fixed height: 740 mm,
- with manual height adjustment, ratchet type - range: 650-890 mm,
- with manual height adjustment with a crank - range: 650-1050 mm,
- with electric height adjustment - range: 650-1300 mm.



- |   |                                    |  |
|---|------------------------------------|--|
| <b>1</b> T-shaped metal base                          | <b>9</b> Pencil box                | <b>17</b> Horizontal wire trunking     |
| <b>2</b> Rectangular desktop                          | <b>10</b> Leather pad              | <b>18</b> Vertical wire trunking       |
| <b>3</b> Desktop rounded on both sides (freestanding) | <b>11</b> Media Box                | <b>19</b> Freestanding metal organiser |
| <b>4</b> Metal panels                                 | <b>12</b> Media Box Mini           |  |
| <b>5</b> Horizontal shelf (A4)                        | <b>13</b> Upholstered pad          |  |
| <b>6</b> Binder box                                   | <b>14</b> Organiser strip          |  |
| <b>7</b> Magnetic board with a pencil tray            | <b>15</b> Upper upholstered panel  |  |
| <b>8</b> Magnetic board                               | <b>16</b> Bottom upholstered panel |  |

# Description

Minimum/maximum height adjustment for desks with a T-shaped base:



### 3. Freestanding desks with a U-shaped base – rectangular desktops made of cellular board

The desk has a solid, resistant metal counter supporting structure that consists of a base and a frame, to which the desktop is fixed.  
**Frame** – made of a rectangular 30 × 40 × 3 mm steel profile that ensures there is the support where needed. The frame is powder-coated.

The tops made of cellular board are connected to frames using Hettinject joints.  
**Desktops** – made of 25 mm cellular board coated with HPL laminate on one side. The underside of the desktops is covered with grey backing laminate. The frame is connected to the base

using a patented joint: connector-inset. The frame structure enables desks to be fitted with horizontal wire trunking. The trunking is assembled using plastic anchors. The same anchors are also used to fit desks with vertical wire trunking.

### 4. Workbench workstations with a U-shaped base/workbench workstations for integration with a cabinet

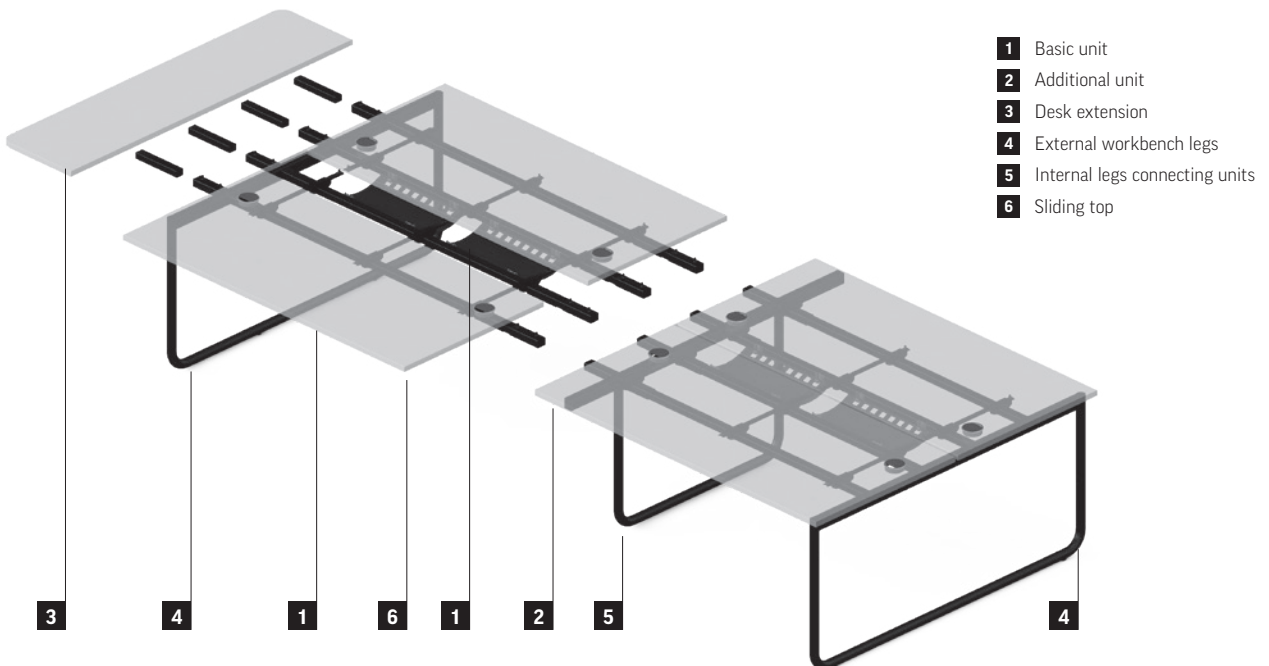
The structure of workbench workstations is similar to the structure of desks. Workbench tops are additionally equipped with a sliding top mechanism that ensures easy access to horizontal wire trunking.

The system offers the following top types:

- Rectangular tops without curves,
- Rectangular tops without curves + 1 × desk extension,
- Rectangular tops without curves + 2 × desk extension,

- tops rounded on one side,
  - tops rounded on both sides.
- Additionally, 2 mm laser edge banding versions are available – for a surcharge – to melamines desktops. Decors available with laser edge for melamines are: BI White, NH Maple, MP Platinum, NJ Acacia.
- There is a possibility to extend workbench workstations by attaching additional units to the basic unit – available for workbenches with tops rounded on one side and Rectangular tops.

In the extended workstations, the workbench base (central leg) is recessed 400 mm away from the edge of the top. Because of their structure, the workbenches can be integrated with one-sided and double-sided cabinets and equipped with upholstered panels and simple metal panels. The process of assembling panels is similar to the process of fixing them to desks with a U-shaped base.





## 5. Height-adjustable workbench workstations on an H-shaped base

Workbench workstations have a solid metal construction that consists of an H-shaped base and a frame.

**Desktops** – available in three finishes: melamine, laminate and linoleum.

The following desktop shapes are available:

- rectangular,
- rounded on both sides to a 50 mm radius.

Additionally, 2 mm laser edge banding versions are available for a surcharge to melamines desktops. Decors available with laser edge

for melamines are: BI White, NH Maple, MP Platinum, NJ Acacia.

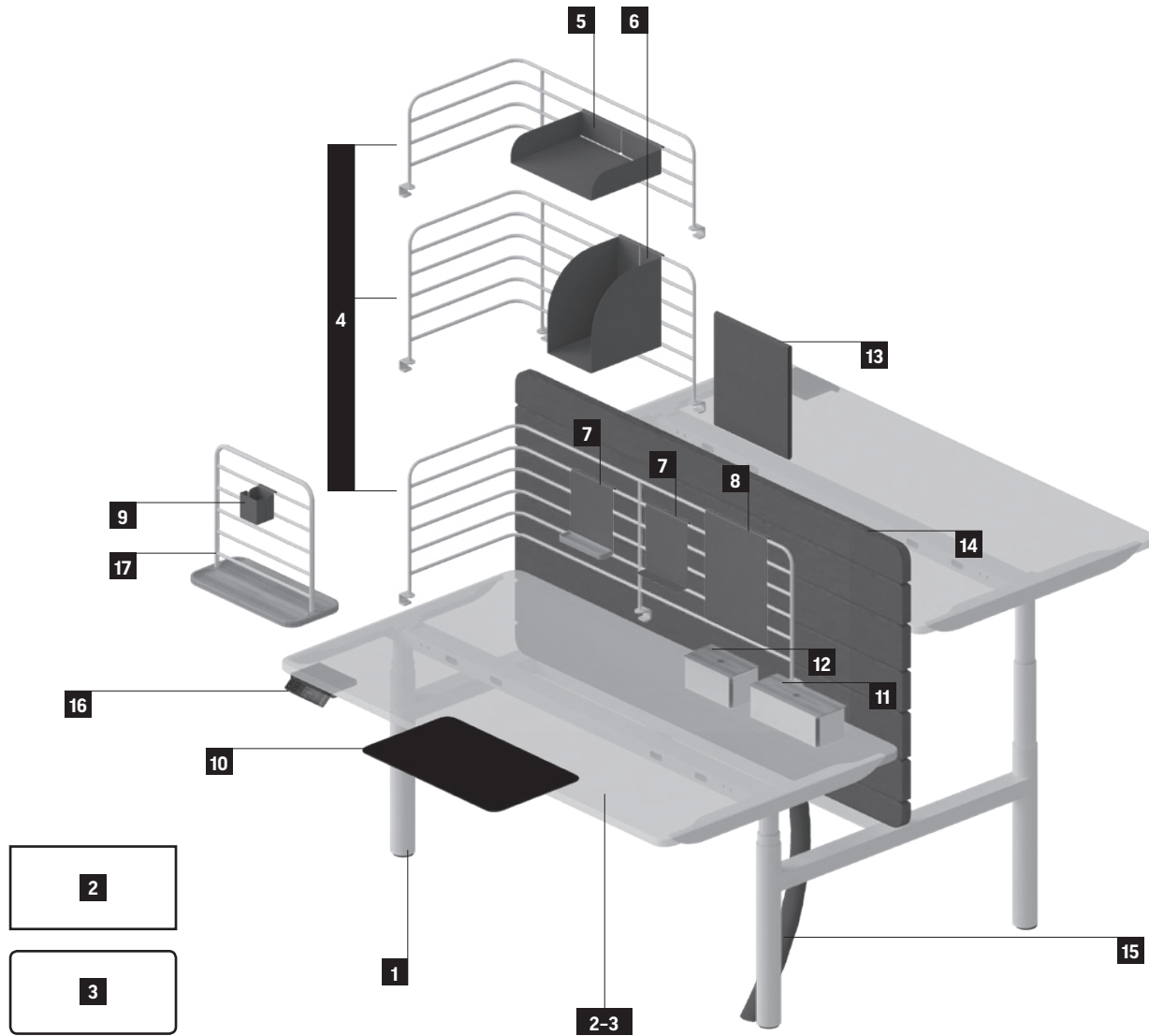
**Frame** – the frame structure of the workbench workstation on an H-shaped base is the same as that of the freestanding desk on a T-shaped base. The top is fixed to the frame.

**Base** – the base consists of four round columns joined together with two crossbeams and one longitudinal beam. The diameter of the outer column profile is 70 mm. An adapter with a levelling foot in the range of + 10 mm is attached to the column.

The following base types are available:

- with manual height adjustment with a crank, in the range: 650-1050 mm,
- with electric height adjustment, in the range: 650-1300 mm.

The workbench workstation's structure allows for assembling horizontal and vertical upholstered wire trunking. Workbench workstations can also be equipped with angular metal panels and an upper upholstered panel.



- |   |  |  |
|---|--|--|
| <b>1</b> H-shaped metal base            | <b>7</b> Magnetic board with a pencil tray | <b>13</b> Upholstered pad                                    |
| <b>2</b> Rectangular desktops           | <b>8</b> Magnetic board                    | <b>14</b> Upper upholstered panel                            |
| <b>3</b> Desktops rounded on both sides | <b>9</b> Pencil box                        | <b>15</b> Vertical wire trunking                             |
| <b>4</b> Metal panels                   | <b>10</b> Leather pad                      | <b>16</b> Control panel with a display and a memory function |
| <b>5</b> Horizontal shelf (A4)          | <b>11</b> Media Box                        | <b>17</b> Freestanding metal organiser                       |
| <b>6</b> Binder box                     | <b>12</b> Media Box Mini                   |  |

# Description

## 6. Desks with a U-shaped base for integration with a sideboard

**Desktops** – the tops of desks for integration with a sideboard are available in three different finishes:

- melamine,
- laminate,
- linoleum.

Desktops are rounded to a 50 mm radius. In the case of desktops made of plywood, the desktop edge is additionally rounded to a 20 mm radius. The narrow edge of desktops made of plywood is protected with wax.

Additionally, 2 mm laser edge banding versions are available for a surcharge to melamines desktops. Decors available with laser edge for melamines are: BI White, NH Maple, MP Platinum, NJ Acacia.

**Desk base** – on one side, the desktop is supported by a U-shaped leg, while on the other side by a bracket fixed to the desk frame and sideboard carcass.

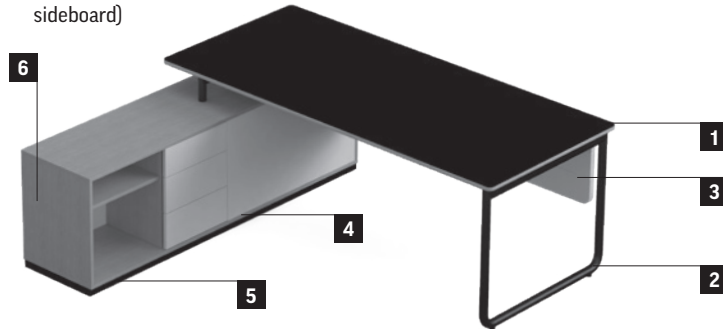
The following three types of sideboard are available:

- 2 × sliding door (one-sided sideboard)
- 1 × sliding door per side (double-sided sideboard)

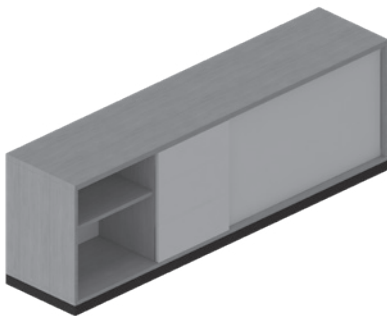
- 1 × sliding door opened on the outer side, 1 × open shelves, 1 × 3 drawers opened on the user's side (double-sided sideboard).

It is made of 18 mm melamine double faced chipboard (class E1). The sideboard drawers are equipped with a soft-close system. Sideboard dimensions – width 1800 mm, height 595 mm, depth 445 mm.

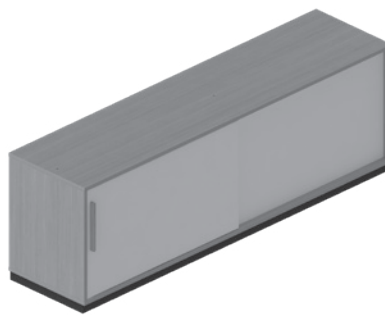
- 1** Desktop
- 2** U-type leg - Ø 40 mm profile
- 3** Bottom upholstered panel
- 4** Metal drawers
- 5** Metal base
- 6** 18 mm melamine double faced chipboard



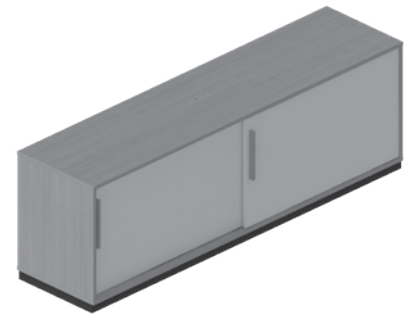
### 6.1 Sideboards



Model A\*



Model B\*



Model C\*

## 7. Accessories

The Play&Work system offers a wide range of accessories for the third working level:

**Upholstered panels** – upper panels (low and high), side and bottom panels are available. Panels with connectors that can attach a panel to the desk beam are available for desks and workbenches with a U-shaped base. Panels equipped with a special handle to fix a panel directly to the desk edge

are available for desks with a T-shaped base. Panels are additionally stabilised using grub screws attached to the underside of the desktop. An upper high panel fixed to the longitudinal beam with invisible metal connectors is available for height-adjustable workbench workstations on an H-shaped base. The panel has fixed height: 870 mm. The system offers fully upholstered panels, upholstered with Blazer fabric (100% wool) or Synergy fabric (95% wool, 5% polyamide). Inside the panel, there is a wooden frame filled with a hardboard core. The upholstered panels are pinnable. Upper panels for desks and workbench workstations on a U-shaped and T-shaped base can also be equipped with an organiser strip.

**Organiser strip** – made of a metal bar (Ø 10 mm), white, black or aluminium powder-coated. The strip is fixed to an upholstered panel using screws.

**Metal panels** – available for desks and workbench workstations on an H-shaped base. The panels are fixed directly to the desktop surface. The process of assembling a metal panel is very easy – it is just pulled over the desktop. To prevent a metal panel from moving, a grub screw is used to fix it to the underside of the desktop (the desktop surface remains untouched). Thanks to this system, metal panels can be added or removed easily.

The panels consist of white, black or aluminium powder-coated metal bars (Ø 10 mm). They are available in 2 different heights and widths.

**Accessories to be fixed to metal panels** – thanks to their structure, the accessories can be fixed to desk panels and cabinet metal panels without tools.

**Upholstered pads for metal panels** – they are made of Blazer fabric (100% wool) or Synergy fabric (95% wool, 5% polyamide). To be assembled properly, the pads just need to be put on the panel and fastened to it using a zip.

**Wooden organisers to be put on the desktop** – thanks to the possibility to integrate a pencil box with a metal panel, the mobile wooden organiser enables the user to keep their workstation neat and tidy. All metal accessories, e.g. a magnetic board or upholstered pinnable pads can be hung on the panel.

**Wire trunking** – desks and workbenches can be fitted with horizontal and vertical wire trunking. There are two types of horizontal wire trunking available: metal trunking delivered in a set of two items, and upholstered trunking. Wire trunking is available with an assembly kit suitable for desks and workbench workstations on a U-shaped base (wire trunking is fixed to the beams located under the desktop), and with an assembly kit for the T-shaped base and workbench workstations on an H-shaped base (wire trunking is fixed to the underside of the desktop using connectors). Vertical wire trunking is fixed using plastic connectors.

It is made of Blazer fabric (100% wool) or Synergy fabric (95% wool, 5% polyamide) and available within the Play&Work system. The trunking is available in 3 different heights – 850 mm, 1200 mm and 1500 mm. The 850 mm long wire trunking is for all desk and workbench workstation types without height adjustment. The 1200 mm long wire trunking is for desks and workbench workstations with manual height adjustment and for a table integrated with a cabinet. The 1500 mm long wire trunking is for desks and workbench workstations with electric height adjustment.

## 8. Cabinets for integration with desks/workbenches with a U-shaped base

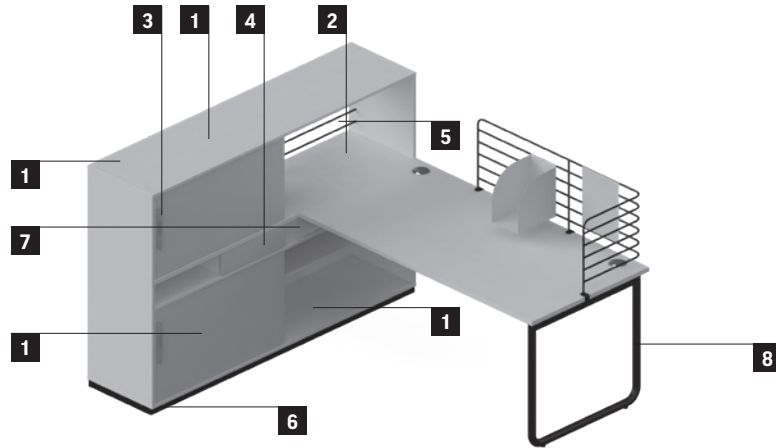
Cabinets are made of 18 and 25 mm melamine double faced chipboard (class E1). All cabinets are fitted with a metal base equipped with metal levelling feet. Cabinets are available as a one-sided option that can be integrated with a single desk, or as a double-sided option that is used to integrate two desks – each user has one part of the cabinet at their disposal. Cabinets can also be integrated with workbenches. The arrangement comprises at least two cabinets (left and right versions) integrated with

a workbench basic unit. The workstation can be extended by attaching additional units. Cabinets are available with sliding door, drawers and open shelves. Thanks to the sliding door system, users can have easy access to their own space without disturbing each other, which improves their comfort and privacy. Cabinets are available in two different heights – 3.5 OH (1 212 mm) and 4.5 OH (1 585 mm), and in two different widths – 1600 and 1800 mm. Every cabinet is equipped with a metal panel that

enables the user to customise their workstation using a wide range of accessories for the third working level. There are two types of handle available (as standard):

- metal (dedicated also to the SQart system),
- wooden: dedicated to the Play&Work system – 1.007 Beech, 3.093 White Beech, 3.097 Black Beech and 2.D07 Oak (as in Levitate system).

- 1** 18 mm melamine double faced chipboard
- 2** 25 mm melamine double faced chipboard
- 3** Wooden handle
- 4** Metal drawer
- 5** Metal panel
- 6** Metal base
- 7** Desk-cabinet connector
- 8** U-type leg



### 8.1 One-sided cabinets for integration with a single desk/workbench



Model B\*



Model D\*



Model F\*

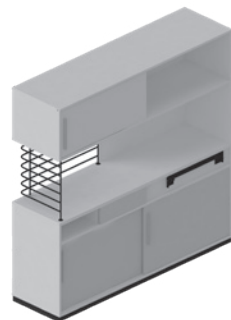


Model H\*

\*In the drawing – left version



Model I\*



Model L\*

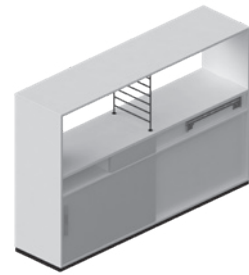
## 8.2 Double-sided cabinets for integration with two desks/workbenches



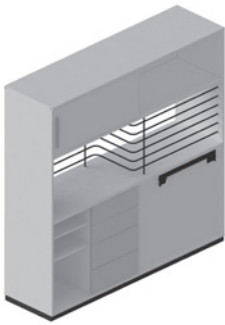
Model A\*



Model C\*

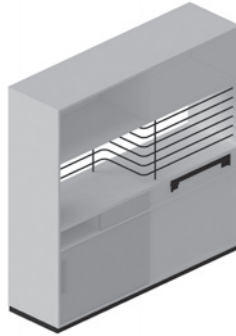


Model D\*

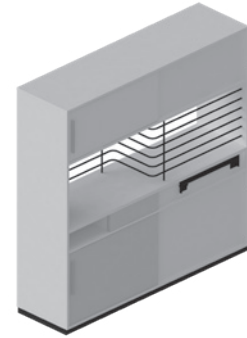


Model F\*

\*In the drawing - left version

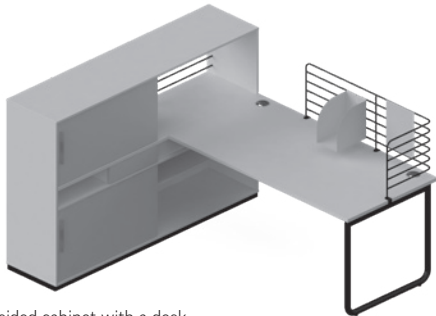


Model I\*

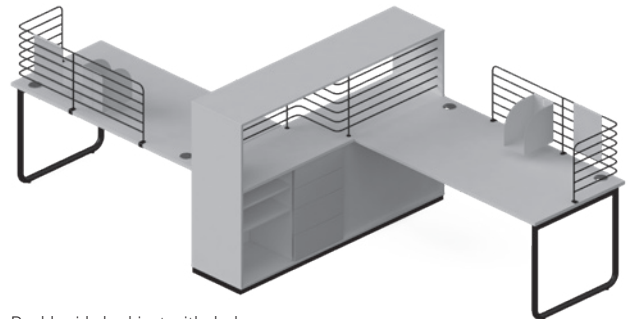


Model J\*

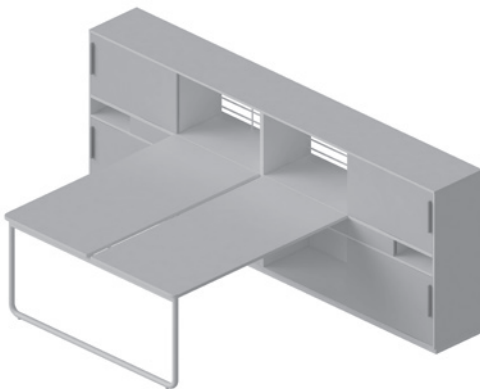
### Arrangements



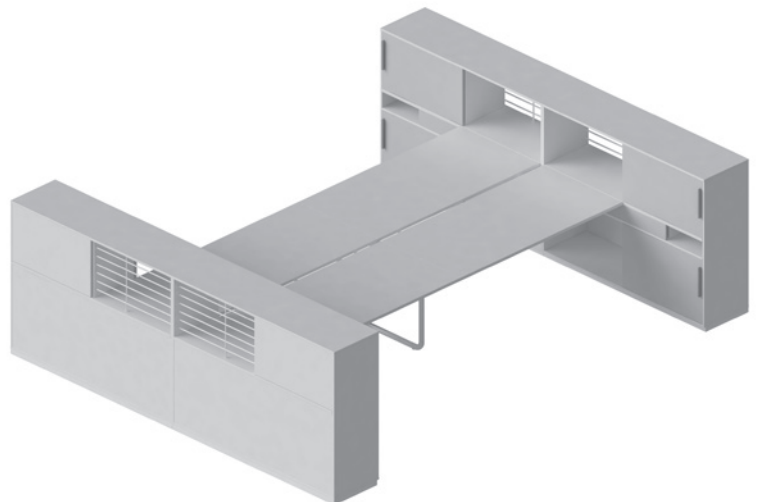
One-sided cabinet with a desk



Double-sided cabinet with desks



One-sided cabinets with a workbench



Enclosed arrangement of four one-sided cabinets integrated with workbenches

## 9. Freestanding cabinets

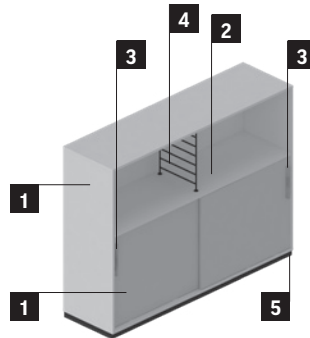
Cabinets are made of 18 and 25 mm melamine double faced chipboard (class E1). All cabinets are fitted with a metal base equipped with metal levelling feet.  
Cabinets are available as a one-sided or double-sided option.  
Cabinets are available with sliding door and open shelves. Thanks to the sliding door system, users

can have easy access to their own space without disturbing each other, which improves their comfort and privacy.  
Cabinets are available in two different heights – 3.5 OH (1212 mm) or 4.5 OH (1585 mm), and width – 1600 mm.  
Every cabinet is equipped with a metal panel that enables the user to customise their workstation

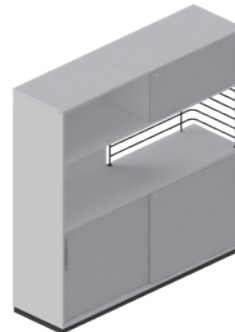
using a wide range of accessories for the third working level.  
There are two types of handle available (as standard):  
– metal (dedicated also to the SQart system),  
– wooden: dedicated to the Play&Work system – 1.007 Beech, 3.093 White Beech, 3.097 Black Beech and 2.D07 Oak (as in Levitate system).

### 9.1 One-sided freestanding cabinets

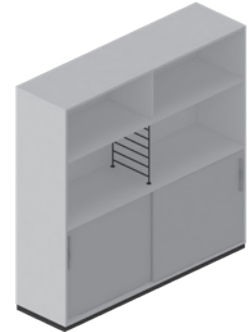
- 1** 18 mm melamine double faced chipboard
- 2** 25 mm melamine double faced chipboard
- 3** Wooden handle
- 4** Metal panel
- 5** Metal base



Model D



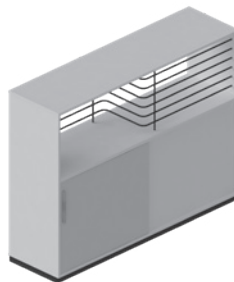
Model L\*



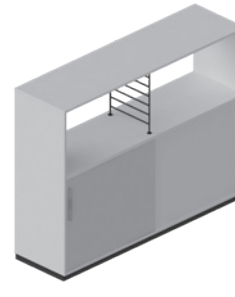
Model M

\*In the drawing - right version

### 9.2 Double-sided freestanding cabinets



Model C\*



Model D\*

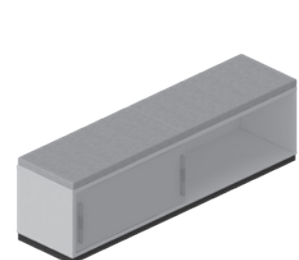
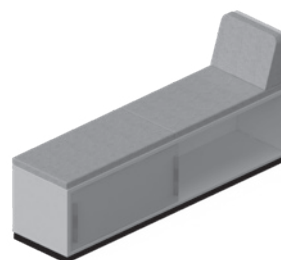
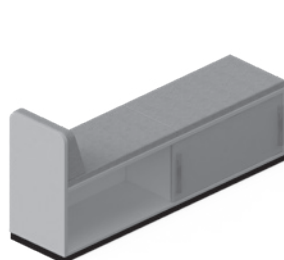
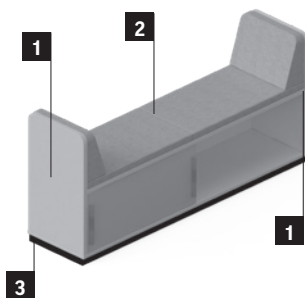
\*In the drawing - left version

## 10. Cabinets with a seat

Low cabinets with a seat are available as a one-sided or double-sided option. Depending on the chosen version, cabinets are available without a backrest, with a one-sided backrest or a double-sided backrest.

Every cabinet is fitted with a pad upholstered with Blazer fabric (100% wool) or Synergy fabric (95% wool, 5% polyamide).  
Dimensions: height 470 mm (seat), 740 mm (backrest), width 1600 mm, depth 400 mm.

There are two types of handle available (as standard):  
– metal (dedicated also to the SQart system),  
– wooden: dedicated to the Play&Work system – 1.007 Beech, 3.093 White Beech, 3.097 Black Beech and 2.D07 Oak (as in Levitate system).



- 1** 25 mm melamine double faced chipboard
- 2** 40 mm upholstered pad
- 3** Metal base

# Description

## 11. Big Orga Tower

Big Orga Tower is made of 18 and 25 mm melamine double faced chipboard (class E1), based on metal plinth, equipped with levelling feet.

Big Orga Tower is available in three types:

- drawer + open shelf with a chipboard back,
- drawer + open shelf with a metal panel,
- high drawer + 2 × pencil case.

Big Orga Tower is available as a right or left handed option, with or without the lock.

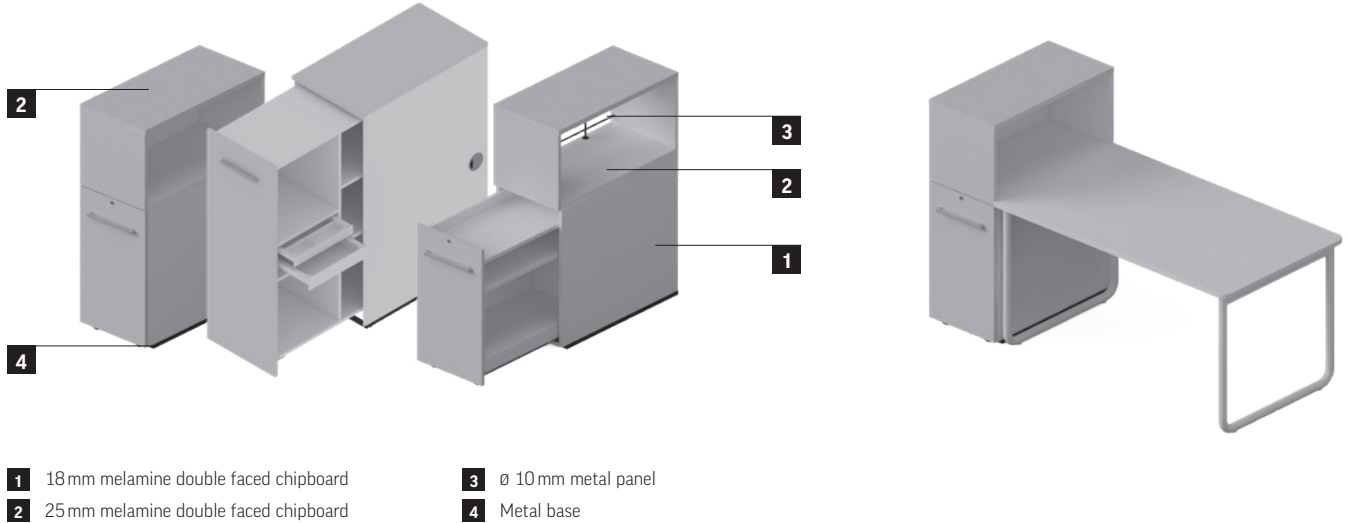
Big Orga Tower with open shelves dimensions: height 1117 mm, width 400 mm, depth 800 mm.  
Big Orga Tower with high drawer dimensions: height 1212 mm (3,50H), width 445 mm, depth 800 mm.

Big Orga Tower with high drawer is equipped with two plastic pencil case - one with dividers and one without partitions in white color. Additional accessories are 2 × USB charger in black color with metal middle or bottom grommet.

Big Orga Tower with high drawer is freestanding or can be integrated with the desk.

There are two types of handle available as standard:

- metal - dedicated also to the SQart system,
- wood - dedicated to the Play&Work system 1.007 Beech, 3.093 White Beech, 3.097 Black Beech and 2.D07 Oak (as in Levitate system).



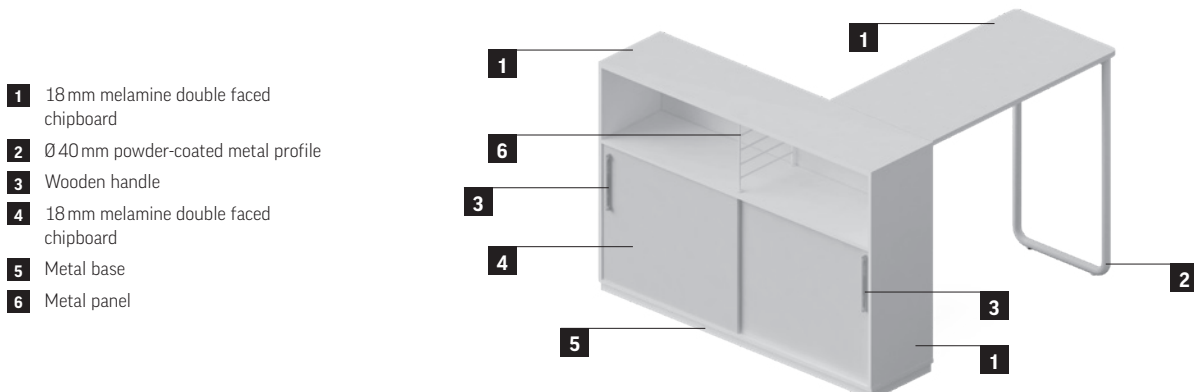
## 12. High table for integration with a cabinet

The structure of a high table is similar to the structure of a desk. The table is 1117 mm high, 600 mm deep and 1200 mm wide. There is a one-sided cabinet designed for integration with the high table (width 1600 mm, height 1117 mm,

depth 445 mm) available in the following configuration: double sliding door and open shelves. There are two types of handle available (as standard):

- metal (dedicated also to the SQart system),

- wooden: dedicated to the Play&Work system - 1.007 Beech, 3.093 White Beech, 3.097 Black Beech and 2.D07 Oak (as in Levitate system).



### 13. Lockers cabinet

Lockers cabinet is made of 18 mm and 12 mm melamine double faced chipboard (class E1) based on solid metal plinth made of 40 × 20 × 1,5 mm profile, equipped with levelling feet.

Cabinets are available in two different heights – 3.50H (1212 mm) or 4.50H (1585 mm) and the following widths – 1200 and 1600 mm.

Lockers depth is 445 mm.

Unit internal dimensions are about: 370 mm width, 400 mm depth, 370 mm height.

Each unit is equipped with two hinges with 110° opening angle and soft close system.

There are two types of locks available:

- cylinder lock with two folding keys (black color),
- combination lock with fixed code mode, free code mode available on request.

Locks are available in right or left version.

Units with cylinder lock (without correspondence slot version) are equipped with one of the following handle type:

- metal handle (form SQart system),
- beech wood handle (Play&Work).

Lockers with correspondence slot are made without handles. Rounded on both sides correspondence slot replaces the handle. Slot dimensions are about: 312 mm width, 21 mm height.

Slot edge is protected by plastic cover. The cover color corresponds with the metal plinth which is available in: white, aluminium or black.

Each unit contains one 18 mm shelf, adjustable in 32 mm increments.

### 14. Lockers cabinet – color configuration

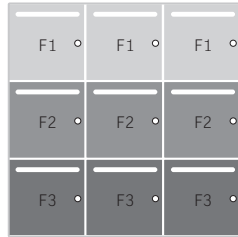
F1 – colour sample 1

F2 – colour sample 2

F3 – colour sample 3



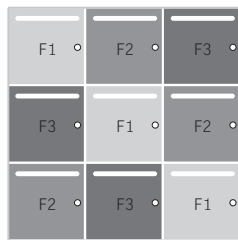
Example A



Example B



Example C





# Description

F2	F2	F2	F2
F1	F2	F2	F2
F1	F1	F2	F2
F1	F1	F1	F2

F1	F2	F2
F1	F1	F2
F1	F1	F1

F2	F2	F2
F1	F2	F2
F1	F1	F2
F1	F1	F1

F1	F2	F2	F2
F1	F1	F2	F2
F1	F1	F1	F2

Example D

F1	F1	F2	F2
F1	F1	F2	F2
F1	F1	F2	F2
F1	F1	F2	F2

F1	F1	F2
F1	F1	F2
F1	F1	F2

F1	F1	F2
F1	F1	F2
F1	F1	F2
F1	F1	F2

F1	F1	F2	F2
F1	F1	F2	F2
F1	F1	F2	F2
F1	F1	F2	F2

Example E

F2	F2	F2	F2
F2	F2	F2	F2
F1	F1	F1	F1
F1	F1	F1	F1

F2	F2	F2
F1	F1	F1
F1	F1	F1

F2	F2	F2
F2	F2	F2
F1	F1	F1
F1	F1	F1

F2	F2	F2	F2
F1	F1	F1	F1
F1	F1	F1	F1

Example F

F1	F2	F1	F2
F2	F1	F2	F1
F1	F2	F1	F2
F2	F1	F2	F1

F1	F2	F1
F2	F1	F2
F1	F2	F1

F1	F2	F1
F2	F1	F2
F1	F2	F1
F2	F1	F2

F1	F2	F1	F2
F2	F1	F2	F1
F1	F2	F1	F2

Example G

F1	F2	F2	F1
F1	F2	F2	F1
F1	F2	F2	F1
F1	F2	F2	F1

F1	F2	F1
F1	F2	F1
F1	F2	F1

F1	F2	F1
F1	F2	F1
F1	F2	F1
F1	F2	F1

F1	F2	F2	F1
F1	F2	F2	F1
F1	F2	F2	F1

Example H



# Ordering

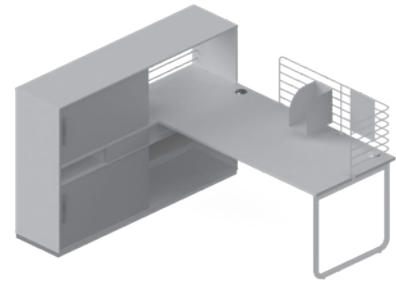
# Ordering

## 1. Desk for integration with a cabinet

When ordering a **1200 x 800** mm desk for integration with a one-sided **3.50H** cabinet (model D), select:

- the **WNKRS06NL6NL** desk (left option)
- the **WNKSJD63CNL** cabinet (left option).

In a similar way the Right option of the desk for integration with a cabinet can be ordered (**WNKRS10NN6NR + WNKRS10NN6NR**). Be mindful, however, that both the desk and cabinet have to be ordered as a left handed or right handed option.



											<b>R</b>	Right desk					
											<b>L</b>	Left desk					
														<b>Melamine + 1</b>			
													width [mm]	depth [mm]	frame: Aluminium (AL), White (BI), Black (CZ)		
<b>W</b>	<b>N</b>	<b>K</b>	<b>R</b>	<b>S</b>	<b>O</b>	<b>6</b>	<b>N</b>	<b>L</b>	<b>6</b>	<b>N</b>	<b>R</b>	1200	800	<b>270</b>			
											<b>L</b>	2 mm laser edge for selected decors, surcharge 25*					

											<b>A</b>	Metal handle (SQart)					
											<b>C</b>	Beech wood handle					
											<b>F</b>	Oak wood handle (Levitate)					
											<b>G</b>	White Beech wood handle					
											<b>H</b>	Black Beech wood handle					
															<b>h = 3.50H</b>		
											<b>R</b>	Right option					
											<b>L</b>	Left option					
													MODEL D	width [mm]	depth [mm]	melamine + 1, metal: Aluminium (AL), White (BI), Black (CZ)	
<b>W</b>	<b>N</b>	<b>K</b>	<b>S</b>	<b>J</b>	<b>D</b>	<b>6</b>	<b>3</b>	<b>C</b>	<b>N</b>	<b>N</b>	<b>R</b>	1600	445	<b>890</b>			

\*Decors available with laser edge for melamines: BI White, NH Maple, MP Platinum, NJ Acacia.

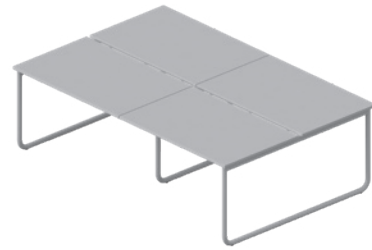
## 2. Workbench workstation

### 2.1 Workbench with Rectangular tops

When ordering a **3200 × 1600** mm 4-person workbench workstation

**(Rectangular tops - R)** select:

- the workbench basic unit: **WNKWBP10NN6NN**
- the workbench additional unit: **WNKWBD10NN6NN**.



														<b>R</b>	Rectangular tops			<b>Melamine + 1</b>
														<b>X</b>	Rectangular tops + 1 × desk extension			
														<b>Y</b>	Rectangular tops + 2 × desk extension			
<b>W</b>	<b>N</b>	<b>K</b>	<b>W</b>	<b>B</b>	<b>P</b>	<b>R</b>	<b>1</b>	<b>0</b>	<b>N</b>	<b>N</b>	<b>6</b>	<b>N</b>	<b>N</b>	width [mm]	depth [mm]	frame: Aluminium (AL), White (BI), Black (CZ)		
														1600	2 × 800	<b>690</b>		
	<b>L</b>	2 mm laser edge for selected decors, surcharge 25*																

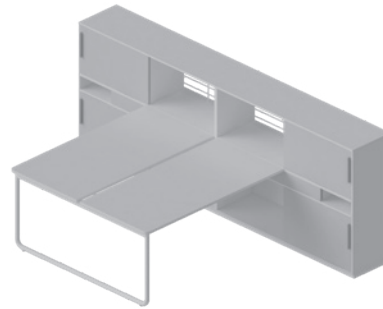
														<b>R</b>	Internal/external additional rectangular unit			<b>Melamine + 1</b>
														<b>Z</b>	External unit - one-side rounded			
<b>W</b>	<b>N</b>	<b>K</b>	<b>W</b>	<b>B</b>	<b>D</b>	<b>R</b>	<b>1</b>	<b>0</b>	<b>N</b>	<b>N</b>	<b>6</b>	<b>N</b>	<b>N</b>	width [mm]	depth [mm]	frame: Aluminium (AL), White (BI), Black (CZ)		
														1600	2 × 800	<b>560</b>		
	<b>L</b>	2 mm laser edge for selected decors, surcharge 31*																

\* Decors available with laser edge for melamines: BI White, NH Maple, MP Platinum, NJ Acacia.

## 2.2 Workbench for integration with cabinets

When ordering a **1600 × 1600** mm 2-person workbench for integration with **3.50H × 1600** mm one-sided cabinets (Model D), select:

- the rectangular workbench basic unit for integration with a cabinet: **WNKWBSR10NN6NN**
- 2 × one-sided cabinets for integration with a workbench: **WNKSJD63CNNR** (Right option), **WNKSJD63CNNL** (left option)



													<b>R</b>	Rectangular tops					
													<b>X</b>	Rectangular tops + 1 × desk extension, surcharge 88					
															<b>N</b>	Without hole for cable outlet			
															<b>L</b>	2 × left hole for cable outlet			
															<b>R</b>	2 × right hole for cable outlet			
															<b>D</b>	2 × left and right holes for cable outlets			
																	<b>Melamine + 1</b>		
																	width [mm]	depth [mm]	frame: Aluminium (AL), White (BI), Black (CZ)
<b>W</b>	<b>N</b>	<b>K</b>	<b>W</b>	<b>B</b>	<b>S</b>	<b>R</b>	<b>1</b>	<b>0</b>	<b>N</b>	<b>N</b>	<b>6</b>	<b>N</b>	<b>N</b>	1600	2 × 800	595			
															<b>L</b>	2 mm laser edge for selected decors, surcharge 25*			

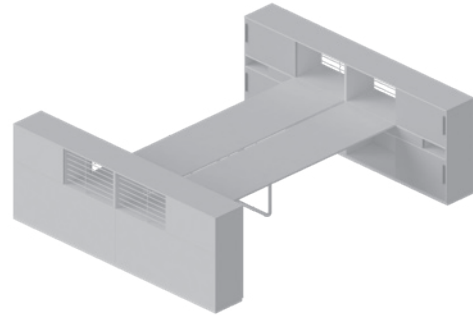
													<b>A</b>	Metal handle (SQuart)						
															<b>C</b>	Beech wood handle				
															<b>F</b>	Oak wood handle (Levitate)				
															<b>G</b>	White Beech wood handle				
															<b>H</b>	Black Beech wood handle				
																	<b>R</b>	Right option		
																	<b>L</b>	Left option		
																			<b>h = 3.50H</b>	
																	MODEL D	width [mm]	depth [mm]	melamine + 1, metal: Aluminium (AL), White (BI), Black (CZ)
<b>W</b>	<b>N</b>	<b>K</b>	<b>S</b>	<b>J</b>	<b>D</b>	<b>6</b>	<b>3</b>	<b>C</b>	<b>N</b>	<b>N</b>	<b>R</b>			1600	445	890				

\*Decors available with laser edge for melamines: BI White, NH Maple, MP Platinum, NJ Acacia.

### 2.3 Workbench for integration with cabinets

When ordering a **3200 × 1600** mm 4-person workbench for integration with **3.50H × 1600** mm one-sided cabinets (Model D), select:

- the rectangular workbench basic unit for integration with cabinets: **WNKWBHR10NN6NN**
- the additional rectangular workbench unit for intergration with cabinets: **WNKWBTR10NN6NN**
- 4 × one-sided cabinet for integration with a workbench:
  - 2 × **WNKSJD63CNNR** (Right option)
  - 2 × **WNKSJD63CNRL** (left option)



													<b>N</b>	Without hole for cable outlet							
													<b>L</b>	2 × left hole for cable outlet							
													<b>R</b>	2 × right hole for cable outlet							
													<b>D</b>	2 × left and right holes for cable outlets							
																<b>Melamine + 1</b>					
															width [mm]	depth [mm]	frame: Aluminium (AL), White (BI), Black (CZ)				
<b>W</b>	<b>N</b>	<b>K</b>	<b>W</b>	<b>B</b>	<b>H</b>	<b>R</b>	<b>1</b>	<b>0</b>	<b>N</b>	<b>N</b>	<b>6</b>	<b>N</b>	<b>N</b>	1600	2 × 800	<b>610</b>					
													<b>L</b>	2 mm laser edge for selected decors, surcharge 25*							

													<b>N</b>	Without hole for cable outlet							
													<b>L</b>	2 × left hole for cable outlet							
													<b>R</b>	2 × right hole for cable outlet							
													<b>D</b>	2 × left and right holes for cable outlets							
																<b>Melamine + 1</b>					
															width [mm]	depth [mm]	frame: Aluminium (AL), White (BI), Black (CZ)				
<b>W</b>	<b>N</b>	<b>K</b>	<b>W</b>	<b>B</b>	<b>T</b>	<b>R</b>	<b>1</b>	<b>0</b>	<b>N</b>	<b>N</b>	<b>6</b>	<b>N</b>	<b>N</b>	1600	2 × 800	<b>480</b>					
													<b>L</b>	2 mm laser edge for selected decors, surcharge 25*							

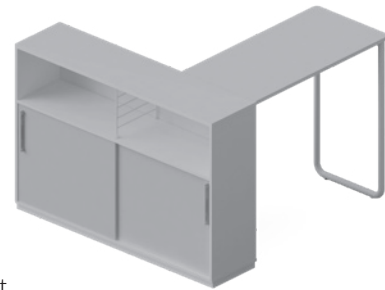
\* Decors available with laser edge for melamines: BI White, NH Maple, MP Platinum, NJ Acacia.

											<b>A</b>	Metal handle (SQart)						
											<b>C</b>	Beech wood handle						
											<b>F</b>	Oak wood handle (Levitate)						
											<b>G</b>	White Beech wood handle						
											<b>H</b>	Black Beech wood handle						
													<b>R</b>	Right option				
													<b>L</b>	Left option				
															<b>h = 3.50H</b>			
													MODEL D	width [mm]	depth [mm]	melamine + 1, metal: Aluminium (AL), White (BI), Black (CZ)		
<b>W</b>	<b>N</b>	<b>K</b>	<b>S</b>	<b>J</b>	<b>D</b>	<b>6</b>	<b>3</b>	<b>C</b>	<b>N</b>	<b>N</b>	<b>R</b>		1600	445	<b>890</b>			

### 3. High table for integration with a cabinet

When ordering a high table (that can be fitted with a metal cable grommet or a wireless charger) for integration with a cabinet, select:

- the high table: **WNKMT05HR6** (outlet for cables - right)
- the cabinet: **WNKSTA63CNR** (Right option).



											<b>N</b>	Without hole for cable outlet				
											<b>R</b>	With hole for cable outlet				
													width [mm]	depth [mm]	<b>Melamine + 1</b>	
													frame: Aluminium (AL), White (BI), Black (CZ)			
<b>W</b>	<b>N</b>	<b>K</b>	<b>M</b>	<b>T</b>	<b>O</b>	<b>5</b>	<b>H</b>	<b>N</b>	<b>6</b>			1200	600	<b>300</b>		
											<b>L</b>	2 mm laser edge for selected decors, surcharge 25*				

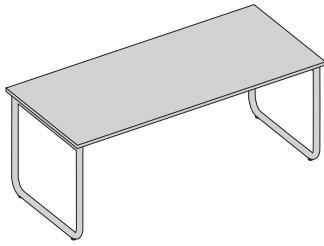
											<b>A</b>	Metal handle (SQart)						
											<b>C</b>	Beech wood handle						
											<b>F</b>	Oak wood handle (Levitate)						
											<b>G</b>	White Beech wood handle						
											<b>H</b>	Black Beech wood handle						
													<b>R</b>					
													<b>L</b>					
															<b>Melamine + 1</b>			
													width [mm]	depth [mm]	melamine + 1, metal: Aluminium (AL), White (BI), Black (CZ)			
<b>W</b>	<b>N</b>	<b>K</b>	<b>S</b>	<b>T</b>	<b>A</b>	<b>6</b>	<b>3</b>	<b>C</b>	<b>N</b>	<b>R</b>		1600	445	<b>560</b>				

\*Decors available with laser edge for melamines: BI White, NH Maple, MP Platinum, NJ Acacia.

# Price list

# Desks

Rectangular desks with a U-shaped base  
without height adjustment, height 740 mm



- N** Without hole for cable outlet
- L** Left hole for cable outlet
- R** Right hole for cable outlet
- D** Left and right holes for cable outlets

												width [mm]	depth [mm]	Melamine + 1	Laminate	Linoleum
												frame: Aluminium (AL), White (BI), Black (CZ)				
<b>W</b>	<b>N</b>	<b>K</b>	<b>R</b>	<b>N</b>	<b>1</b>	<b>5</b>	<b>N</b>	<b>N</b>	<b>6</b>	<b>N</b>	<b>N</b>	1200	700	310	-	-
<b>W</b>	<b>N</b>	<b>K</b>	<b>R</b>	<b>N</b>	<b>1</b>	<b>6</b>	<b>N</b>	<b>N</b>	<b>6</b>	<b>N</b>	<b>N</b>	1400		320	-	-
<b>W</b>	<b>N</b>	<b>K</b>	<b>R</b>	<b>N</b>	<b>1</b>	<b>7</b>	<b>N</b>	<b>N</b>	<b>6</b>	<b>N</b>	<b>N</b>	1600		320	-	-
<b>W</b>	<b>N</b>	<b>K</b>	<b>R</b>	<b>N</b>	<b>1</b>	<b>8</b>	<b>N</b>	<b>N</b>	<b>6</b>	<b>N</b>	<b>N</b>	1800		340	-	-
<b>W</b>	<b>N</b>	<b>K</b>	<b>R</b>	<b>N</b>	<b>0</b>	<b>6</b>	<b>N</b>	<b>N</b>	<b>6</b>	<b>N</b>	<b>N</b>	1200	800	320	390	670
<b>W</b>	<b>N</b>	<b>K</b>	<b>R</b>	<b>N</b>	<b>0</b>	<b>8</b>	<b>N</b>	<b>N</b>	<b>6</b>	<b>N</b>	<b>N</b>	1400		330	400	680
<b>W</b>	<b>N</b>	<b>K</b>	<b>R</b>	<b>N</b>	<b>1</b>	<b>0</b>	<b>N</b>	<b>N</b>	<b>6</b>	<b>N</b>	<b>N</b>	1600		340	410	690
<b>W</b>	<b>N</b>	<b>K</b>	<b>R</b>	<b>N</b>	<b>1</b>	<b>2</b>	<b>N</b>	<b>N</b>	<b>6</b>	<b>N</b>	<b>N</b>	1800		350	420	700
<b>W</b>	<b>N</b>	<b>K</b>	<b>R</b>	<b>N</b>	<b>1</b>	<b>4</b>	<b>N</b>	<b>N</b>	<b>6</b>	<b>N</b>	<b>N</b>	2000		360	430	710
<b>W</b>	<b>N</b>	<b>K</b>	<b>R</b>	<b>N</b>	<b>2</b>	<b>2</b>	<b>N</b>	<b>N</b>	<b>6</b>	<b>N</b>	<b>N</b>	1600	900	350	420	700
<b>W</b>	<b>N</b>	<b>K</b>	<b>R</b>	<b>N</b>	<b>2</b>	<b>3</b>	<b>N</b>	<b>N</b>	<b>6</b>	<b>N</b>	<b>N</b>	1800		360	430	710
<b>W</b>	<b>N</b>	<b>K</b>	<b>R</b>	<b>N</b>	<b>2</b>	<b>4</b>	<b>N</b>	<b>N</b>	<b>6</b>	<b>N</b>	<b>N</b>	2000		370	440	720
<b>W</b>	<b>N</b>	<b>K</b>	<b>R</b>	<b>N</b>	<b>2</b>	<b>6</b>	<b>N</b>	<b>N</b>	<b>6</b>	<b>N</b>	<b>N</b>	1600	1000	360	430	710
<b>W</b>	<b>N</b>	<b>K</b>	<b>R</b>	<b>N</b>	<b>2</b>	<b>7</b>	<b>N</b>	<b>N</b>	<b>6</b>	<b>N</b>	<b>N</b>	1800		370	440	720
<b>W</b>	<b>N</b>	<b>K</b>	<b>R</b>	<b>N</b>	<b>2</b>	<b>8</b>	<b>N</b>	<b>N</b>	<b>6</b>	<b>N</b>	<b>N</b>	2000		380	450	730

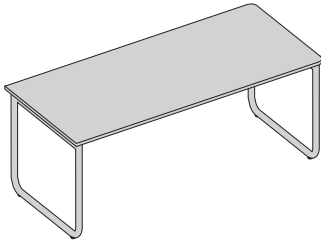
The cable outlet is on page 138

**L** 2 mm laser edge for selected decors, surcharge 25\*

\*Decors available with laser edge for melamines: BI White, NH Maple, MP Platinum, NJ Acacia.



One-side rounded desks with a U-shaped base without height adjustment, height 740 mm



- N** Without hole for cable outlet
- L** Left hole for cable outlet
- R** Right hole for cable outlet
- D** Left and right holes for cable outlets

- R** Right desk (in the drawing)
- L** Left desk

												Melamine + 1			Laminate	Linoleum	
												width [mm]	depth [mm]	frame: Aluminium (AL), White (BI), Black (CZ)			
<b>W</b>	<b>N</b>	<b>K</b>	<b>Z</b>	<b>N</b>	<b>1</b>	<b>5</b>	<b>N</b>	<b>N</b>	<b>6</b>	<b>N</b>	<b>R</b>			1200	700	325	-
<b>W</b>	<b>N</b>	<b>K</b>	<b>Z</b>	<b>N</b>	<b>1</b>	<b>6</b>	<b>N</b>	<b>N</b>	<b>6</b>	<b>N</b>	<b>R</b>	1400	335			-	-
<b>W</b>	<b>N</b>	<b>K</b>	<b>Z</b>	<b>N</b>	<b>1</b>	<b>7</b>	<b>N</b>	<b>N</b>	<b>6</b>	<b>N</b>	<b>R</b>	1600	345			-	-
<b>W</b>	<b>N</b>	<b>K</b>	<b>Z</b>	<b>N</b>	<b>1</b>	<b>8</b>	<b>N</b>	<b>N</b>	<b>6</b>	<b>N</b>	<b>R</b>	1800	355			-	-
<b>W</b>	<b>N</b>	<b>K</b>	<b>Z</b>	<b>N</b>	<b>0</b>	<b>6</b>	<b>N</b>	<b>N</b>	<b>6</b>	<b>N</b>	<b>R</b>	1200	800	335	405	685	
<b>W</b>	<b>N</b>	<b>K</b>	<b>Z</b>	<b>N</b>	<b>0</b>	<b>8</b>	<b>N</b>	<b>N</b>	<b>6</b>	<b>N</b>	<b>R</b>			1400	345	415	695
<b>W</b>	<b>N</b>	<b>K</b>	<b>Z</b>	<b>N</b>	<b>1</b>	<b>0</b>	<b>N</b>	<b>N</b>	<b>6</b>	<b>N</b>	<b>R</b>			1600	355	425	705
<b>W</b>	<b>N</b>	<b>K</b>	<b>Z</b>	<b>N</b>	<b>1</b>	<b>2</b>	<b>N</b>	<b>N</b>	<b>6</b>	<b>N</b>	<b>R</b>			1800	365	435	715
<b>W</b>	<b>N</b>	<b>K</b>	<b>Z</b>	<b>N</b>	<b>1</b>	<b>4</b>	<b>N</b>	<b>N</b>	<b>6</b>	<b>N</b>	<b>R</b>			2000	375	445	725
<b>W</b>	<b>N</b>	<b>K</b>	<b>Z</b>	<b>N</b>	<b>2</b>	<b>2</b>	<b>N</b>	<b>N</b>	<b>6</b>	<b>N</b>	<b>R</b>	1600	900	365	435	715	
<b>W</b>	<b>N</b>	<b>K</b>	<b>Z</b>	<b>N</b>	<b>2</b>	<b>3</b>	<b>N</b>	<b>N</b>	<b>6</b>	<b>N</b>	<b>R</b>			1800	375	445	725
<b>W</b>	<b>N</b>	<b>K</b>	<b>Z</b>	<b>N</b>	<b>2</b>	<b>4</b>	<b>N</b>	<b>N</b>	<b>6</b>	<b>N</b>	<b>R</b>			2000	385	455	735
<b>W</b>	<b>N</b>	<b>K</b>	<b>Z</b>	<b>N</b>	<b>2</b>	<b>6</b>	<b>N</b>	<b>N</b>	<b>6</b>	<b>N</b>	<b>R</b>	1600	1000	375	445	725	
<b>W</b>	<b>N</b>	<b>K</b>	<b>Z</b>	<b>N</b>	<b>2</b>	<b>7</b>	<b>N</b>	<b>N</b>	<b>6</b>	<b>N</b>	<b>R</b>			1800	385	455	735
<b>W</b>	<b>N</b>	<b>K</b>	<b>Z</b>	<b>N</b>	<b>2</b>	<b>8</b>	<b>N</b>	<b>N</b>	<b>6</b>	<b>N</b>	<b>R</b>			2000	395	465	745

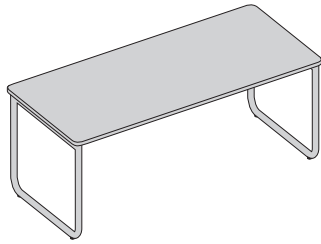
The cable outlet is on page 138

**L** 2mm laser edge for selected decors, surcharge 25\*

\* Decors available with laser edge for melamines: BI White, NH Maple, MP Platinum, NJ Acacia.

# Desks

Both side rounded desks with a U-shaped base without height adjustment, height 740 mm



- N** Without hole for cable outlet
- L** Left hole for cable outlet
- R** Right hole for cable outlet
- D** Left and right holes for cable outlets

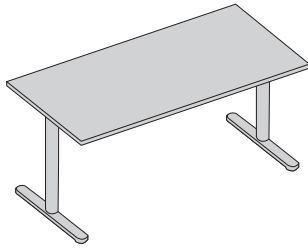
												width [mm]	depth [mm]	Melamine + 1	Laminate	Linoleum
														frame: Aluminium (AL), White (BI), Black (CZ)		
<b>W</b>	<b>N</b>	<b>K</b>	<b>B</b>	<b>N</b>	<b>1</b>	<b>5</b>	<b>N</b>	<b>N</b>	<b>6</b>	<b>N</b>	<b>N</b>	1200	700	340	-	-
<b>W</b>	<b>N</b>	<b>K</b>	<b>B</b>	<b>N</b>	<b>1</b>	<b>6</b>	<b>N</b>	<b>N</b>	<b>6</b>	<b>N</b>	<b>N</b>	1400		350	-	-
<b>W</b>	<b>N</b>	<b>K</b>	<b>B</b>	<b>N</b>	<b>1</b>	<b>7</b>	<b>N</b>	<b>N</b>	<b>6</b>	<b>N</b>	<b>N</b>	1600		360	-	-
<b>W</b>	<b>N</b>	<b>K</b>	<b>B</b>	<b>N</b>	<b>1</b>	<b>8</b>	<b>N</b>	<b>N</b>	<b>6</b>	<b>N</b>	<b>N</b>	1800		370	-	-
<b>W</b>	<b>N</b>	<b>K</b>	<b>B</b>	<b>N</b>	<b>0</b>	<b>6</b>	<b>N</b>	<b>N</b>	<b>6</b>	<b>N</b>	<b>N</b>	1200	800	350	420	700
<b>W</b>	<b>N</b>	<b>K</b>	<b>B</b>	<b>N</b>	<b>0</b>	<b>8</b>	<b>N</b>	<b>N</b>	<b>6</b>	<b>N</b>	<b>N</b>	1400		360	430	710
<b>W</b>	<b>N</b>	<b>K</b>	<b>B</b>	<b>N</b>	<b>1</b>	<b>0</b>	<b>N</b>	<b>N</b>	<b>6</b>	<b>N</b>	<b>N</b>	1600		370	440	720
<b>W</b>	<b>N</b>	<b>K</b>	<b>B</b>	<b>N</b>	<b>1</b>	<b>2</b>	<b>N</b>	<b>N</b>	<b>6</b>	<b>N</b>	<b>N</b>	1800		380	450	730
<b>W</b>	<b>N</b>	<b>K</b>	<b>B</b>	<b>N</b>	<b>1</b>	<b>4</b>	<b>N</b>	<b>N</b>	<b>6</b>	<b>N</b>	<b>N</b>	2000		390	460	740
<b>W</b>	<b>N</b>	<b>K</b>	<b>B</b>	<b>N</b>	<b>2</b>	<b>2</b>	<b>N</b>	<b>N</b>	<b>6</b>	<b>N</b>	<b>N</b>	1600	900	380	450	730
<b>W</b>	<b>N</b>	<b>K</b>	<b>B</b>	<b>N</b>	<b>2</b>	<b>3</b>	<b>N</b>	<b>N</b>	<b>6</b>	<b>N</b>	<b>N</b>	1800		390	460	740
<b>W</b>	<b>N</b>	<b>K</b>	<b>B</b>	<b>N</b>	<b>2</b>	<b>4</b>	<b>N</b>	<b>N</b>	<b>6</b>	<b>N</b>	<b>N</b>	2000		400	470	750
<b>W</b>	<b>N</b>	<b>K</b>	<b>B</b>	<b>N</b>	<b>2</b>	<b>6</b>	<b>N</b>	<b>N</b>	<b>6</b>	<b>N</b>	<b>N</b>	1600	1000	390	460	740
<b>W</b>	<b>N</b>	<b>K</b>	<b>B</b>	<b>N</b>	<b>2</b>	<b>7</b>	<b>N</b>	<b>N</b>	<b>6</b>	<b>N</b>	<b>N</b>	1800		400	470	750
<b>W</b>	<b>N</b>	<b>K</b>	<b>B</b>	<b>N</b>	<b>2</b>	<b>8</b>	<b>N</b>	<b>N</b>	<b>6</b>	<b>N</b>	<b>N</b>	2000		410	480	760

The cable outlet is on page 138

**L** 2 mm laser edge for selected decors, surcharge 25\*

\*Decors available with laser edge for melamines: BI White, NH Maple, MP Platinum, NJ Acacia.

Rectangular desks with a T-shaped base  
without height adjustment, height 740 mm



- N** Without hole for cable outlet
- L** Left hole for cable outlet
- R** Right hole for cable outlet
- D** Left and right holes for cable outlets

												width [mm]	depth [mm]	Melamine + 1	Laminate	Linoleum
														frame: Aluminium (AL), White (BI), Black (CZ)		
<b>W</b>	<b>N</b>	<b>K</b>	<b>R</b>	<b>N</b>	<b>1</b>	<b>6</b>	<b>N</b>	<b>N</b>	<b>3</b>	<b>N</b>	<b>N</b>	1400	700	320	390	670
<b>W</b>	<b>N</b>	<b>K</b>	<b>R</b>	<b>N</b>	<b>1</b>	<b>7</b>	<b>N</b>	<b>N</b>	<b>3</b>	<b>N</b>	<b>N</b>	1600		330	400	680
<b>W</b>	<b>N</b>	<b>K</b>	<b>R</b>	<b>N</b>	<b>0</b>	<b>8</b>	<b>N</b>	<b>N</b>	<b>3</b>	<b>N</b>	<b>N</b>	1400	800	330	400	680
<b>W</b>	<b>N</b>	<b>K</b>	<b>R</b>	<b>N</b>	<b>1</b>	<b>0</b>	<b>N</b>	<b>N</b>	<b>3</b>	<b>N</b>	<b>N</b>	1600		340	410	690
<b>W</b>	<b>N</b>	<b>K</b>	<b>R</b>	<b>N</b>	<b>1</b>	<b>2</b>	<b>N</b>	<b>N</b>	<b>3</b>	<b>N</b>	<b>N</b>	1800		350	420	700
<b>W</b>	<b>N</b>	<b>K</b>	<b>R</b>	<b>N</b>	<b>1</b>	<b>4</b>	<b>N</b>	<b>N</b>	<b>3</b>	<b>N</b>	<b>N</b>	2000		360	430	710
<b>W</b>	<b>N</b>	<b>K</b>	<b>R</b>	<b>N</b>	<b>2</b>	<b>2</b>	<b>N</b>	<b>N</b>	<b>3</b>	<b>N</b>	<b>N</b>	1600	900	350	420	700
<b>W</b>	<b>N</b>	<b>K</b>	<b>R</b>	<b>N</b>	<b>2</b>	<b>3</b>	<b>N</b>	<b>N</b>	<b>3</b>	<b>N</b>	<b>N</b>	1800		360	430	710
<b>W</b>	<b>N</b>	<b>K</b>	<b>R</b>	<b>N</b>	<b>2</b>	<b>4</b>	<b>N</b>	<b>N</b>	<b>3</b>	<b>N</b>	<b>N</b>	2000		370	440	720
<b>W</b>	<b>N</b>	<b>K</b>	<b>R</b>	<b>N</b>	<b>2</b>	<b>6</b>	<b>N</b>	<b>N</b>	<b>3</b>	<b>N</b>	<b>N</b>	1600	1000	360	430	710
<b>W</b>	<b>N</b>	<b>K</b>	<b>R</b>	<b>N</b>	<b>2</b>	<b>7</b>	<b>N</b>	<b>N</b>	<b>3</b>	<b>N</b>	<b>N</b>	1800		370	440	720
<b>W</b>	<b>N</b>	<b>K</b>	<b>R</b>	<b>N</b>	<b>2</b>	<b>8</b>	<b>N</b>	<b>N</b>	<b>3</b>	<b>N</b>	<b>N</b>	2000		380	450	730

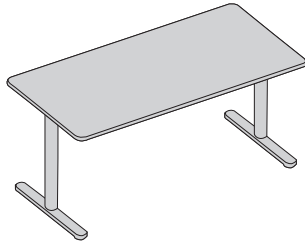
The cable outlet is on page 138

**L** 2 mm laser edge for selected decors, surcharge 25\*

\* Decors available with laser edge for melamines: BI White, NH Maple, MP Platinum, NJ Acacia.

# Desks

Desks rounded on both sides with a T-shaped base without height adjustment, height 740 mm



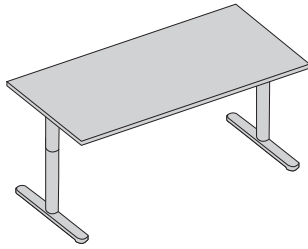
- N** Without hole for cable outlet
- L** Left hole for cable outlet
- R** Right hole for cable outlet
- D** Left and right holes for cable outlets

												width [mm]	depth [mm]	Melamine + 1	Laminate	Linoleum
												frame: Aluminium (AL), White (BI), Black (CZ)				
<b>W</b>	<b>N</b>	<b>K</b>	<b>B</b>	<b>N</b>	<b>1</b>	<b>6</b>	<b>N</b>	<b>N</b>	<b>3</b>	<b>N</b>	<b>N</b>	1400	700	350	420	700
<b>W</b>	<b>N</b>	<b>K</b>	<b>B</b>	<b>N</b>	<b>1</b>	<b>7</b>	<b>N</b>	<b>N</b>	<b>3</b>	<b>N</b>	<b>N</b>	1600		360	430	710
<b>W</b>	<b>N</b>	<b>K</b>	<b>B</b>	<b>N</b>	<b>0</b>	<b>8</b>	<b>N</b>	<b>N</b>	<b>3</b>	<b>N</b>	<b>N</b>	1400	800	360	430	710
<b>W</b>	<b>N</b>	<b>K</b>	<b>B</b>	<b>N</b>	<b>1</b>	<b>0</b>	<b>N</b>	<b>N</b>	<b>3</b>	<b>N</b>	<b>N</b>	1600		370	440	720
<b>W</b>	<b>N</b>	<b>K</b>	<b>B</b>	<b>N</b>	<b>1</b>	<b>2</b>	<b>N</b>	<b>N</b>	<b>3</b>	<b>N</b>	<b>N</b>	1800		380	450	730
<b>W</b>	<b>N</b>	<b>K</b>	<b>B</b>	<b>N</b>	<b>1</b>	<b>4</b>	<b>N</b>	<b>N</b>	<b>3</b>	<b>N</b>	<b>N</b>	2000		390	460	740
<b>W</b>	<b>N</b>	<b>K</b>	<b>B</b>	<b>N</b>	<b>2</b>	<b>2</b>	<b>N</b>	<b>N</b>	<b>3</b>	<b>N</b>	<b>N</b>	1600	900	380	450	730
<b>W</b>	<b>N</b>	<b>K</b>	<b>B</b>	<b>N</b>	<b>2</b>	<b>3</b>	<b>N</b>	<b>N</b>	<b>3</b>	<b>N</b>	<b>N</b>	1800		390	460	740
<b>W</b>	<b>N</b>	<b>K</b>	<b>B</b>	<b>N</b>	<b>2</b>	<b>4</b>	<b>N</b>	<b>N</b>	<b>3</b>	<b>N</b>	<b>N</b>	2000		400	470	750
<b>W</b>	<b>N</b>	<b>K</b>	<b>B</b>	<b>N</b>	<b>2</b>	<b>6</b>	<b>N</b>	<b>N</b>	<b>3</b>	<b>N</b>	<b>N</b>	1600	1000	390	460	740
<b>W</b>	<b>N</b>	<b>K</b>	<b>B</b>	<b>N</b>	<b>2</b>	<b>7</b>	<b>N</b>	<b>N</b>	<b>3</b>	<b>N</b>	<b>N</b>	1800		400	470	750
<b>W</b>	<b>N</b>	<b>K</b>	<b>B</b>	<b>N</b>	<b>2</b>	<b>8</b>	<b>N</b>	<b>N</b>	<b>3</b>	<b>N</b>	<b>N</b>	2000		410	480	760
<b>L</b>	2 mm laser edge for selected decors, surcharge 25*															

The cable outlet is on page 138

\*Decors available with laser edge for melamines: BI White, NH Maple, MP Platinum, NJ Acacia.

Rectangular desks with a T-shaped base  
with manual height adjustment – ratchet type (650–890 mm)



- N** Without hole for cable outlet
- L** Left hole for cable outlet
- R** Right hole for cable outlet
- D** Left and right holes for cable outlets

												width [mm]	depth [mm]	Melamine + 1	Laminate	Linoleum
														frame: Aluminium (AL), White (BI), Black (CZ)		
<b>W</b>	<b>N</b>	<b>K</b>	<b>R</b>	<b>N</b>	<b>1</b>	<b>6</b>	<b>H</b>	<b>N</b>	<b>3</b>	<b>N</b>	<b>N</b>	1400	700	500	570	850
<b>W</b>	<b>N</b>	<b>K</b>	<b>R</b>	<b>N</b>	<b>1</b>	<b>7</b>	<b>H</b>	<b>N</b>	<b>3</b>	<b>N</b>	<b>N</b>	1600		510	580	860
<b>W</b>	<b>N</b>	<b>K</b>	<b>R</b>	<b>N</b>	<b>0</b>	<b>8</b>	<b>H</b>	<b>N</b>	<b>3</b>	<b>N</b>	<b>N</b>	1400	800	510	580	860
<b>W</b>	<b>N</b>	<b>K</b>	<b>R</b>	<b>N</b>	<b>1</b>	<b>0</b>	<b>H</b>	<b>N</b>	<b>3</b>	<b>N</b>	<b>N</b>	1600		520	590	870
<b>W</b>	<b>N</b>	<b>K</b>	<b>R</b>	<b>N</b>	<b>1</b>	<b>2</b>	<b>H</b>	<b>N</b>	<b>3</b>	<b>N</b>	<b>N</b>	1800		530	600	880
<b>W</b>	<b>N</b>	<b>K</b>	<b>R</b>	<b>N</b>	<b>1</b>	<b>4</b>	<b>H</b>	<b>N</b>	<b>3</b>	<b>N</b>	<b>N</b>	2000		540	610	890
<b>W</b>	<b>N</b>	<b>K</b>	<b>R</b>	<b>N</b>	<b>2</b>	<b>2</b>	<b>H</b>	<b>N</b>	<b>3</b>	<b>N</b>	<b>N</b>	1600	900	530	600	880
<b>W</b>	<b>N</b>	<b>K</b>	<b>R</b>	<b>N</b>	<b>2</b>	<b>3</b>	<b>H</b>	<b>N</b>	<b>3</b>	<b>N</b>	<b>N</b>	1800		540	610	890
<b>W</b>	<b>N</b>	<b>K</b>	<b>R</b>	<b>N</b>	<b>2</b>	<b>4</b>	<b>H</b>	<b>N</b>	<b>3</b>	<b>N</b>	<b>N</b>	2000		550	620	900
<b>W</b>	<b>N</b>	<b>K</b>	<b>R</b>	<b>N</b>	<b>2</b>	<b>6</b>	<b>H</b>	<b>N</b>	<b>3</b>	<b>N</b>	<b>N</b>	1600	1000	540	610	890
<b>W</b>	<b>N</b>	<b>K</b>	<b>R</b>	<b>N</b>	<b>2</b>	<b>7</b>	<b>H</b>	<b>N</b>	<b>3</b>	<b>N</b>	<b>N</b>	1800		550	620	900
<b>W</b>	<b>N</b>	<b>K</b>	<b>R</b>	<b>N</b>	<b>2</b>	<b>8</b>	<b>H</b>	<b>N</b>	<b>3</b>	<b>N</b>	<b>N</b>	2000		560	630	910

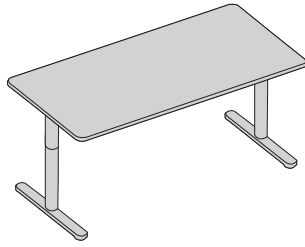
The cable outlet is on page 138

**L** 2 mm laser edge for selected decors, surcharge 25\*

\* Decors available with laser edge for melamines: BI White, NH Maple, MP Platinum, NJ Acacia.

# Desks

Desks rounded on both sides with a T-shaped base with manual height adjustment – ratchet type (650–890 mm)



- N** Without hole for cable outlet
- L** Left hole for cable outlet
- R** Right hole for cable outlet
- D** Left and right holes for cable outlets

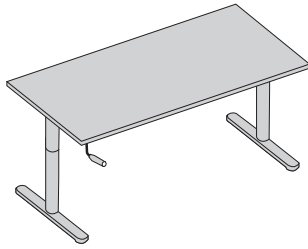
												width [mm]	depth [mm]	Melamine + 1	Laminate	Linoleum
												frame: Aluminium (AL), White (BI), Black (CZ)				
<b>W</b>	<b>N</b>	<b>K</b>	<b>B</b>	<b>N</b>	<b>1</b>	<b>6</b>	<b>H</b>	<b>N</b>	<b>3</b>	<b>N</b>	<b>N</b>	1400	700	530	600	880
<b>W</b>	<b>N</b>	<b>K</b>	<b>B</b>	<b>N</b>	<b>1</b>	<b>7</b>	<b>H</b>	<b>N</b>	<b>3</b>	<b>N</b>	<b>N</b>	1600		540	610	890
<b>W</b>	<b>N</b>	<b>K</b>	<b>B</b>	<b>N</b>	<b>0</b>	<b>8</b>	<b>H</b>	<b>N</b>	<b>3</b>	<b>N</b>	<b>N</b>	1400	800	540	610	890
<b>W</b>	<b>N</b>	<b>K</b>	<b>B</b>	<b>N</b>	<b>1</b>	<b>0</b>	<b>H</b>	<b>N</b>	<b>3</b>	<b>N</b>	<b>N</b>	1600		550	620	900
<b>W</b>	<b>N</b>	<b>K</b>	<b>B</b>	<b>N</b>	<b>1</b>	<b>2</b>	<b>H</b>	<b>N</b>	<b>3</b>	<b>N</b>	<b>N</b>	1800		560	630	910
<b>W</b>	<b>N</b>	<b>K</b>	<b>B</b>	<b>N</b>	<b>1</b>	<b>4</b>	<b>H</b>	<b>N</b>	<b>3</b>	<b>N</b>	<b>N</b>	2000		570	640	920
<b>W</b>	<b>N</b>	<b>K</b>	<b>B</b>	<b>N</b>	<b>2</b>	<b>2</b>	<b>H</b>	<b>N</b>	<b>3</b>	<b>N</b>	<b>N</b>	1600	900	560	630	910
<b>W</b>	<b>N</b>	<b>K</b>	<b>B</b>	<b>N</b>	<b>2</b>	<b>3</b>	<b>H</b>	<b>N</b>	<b>3</b>	<b>N</b>	<b>N</b>	1800		570	640	920
<b>W</b>	<b>N</b>	<b>K</b>	<b>B</b>	<b>N</b>	<b>2</b>	<b>4</b>	<b>H</b>	<b>N</b>	<b>3</b>	<b>N</b>	<b>N</b>	2000		580	650	930
<b>W</b>	<b>N</b>	<b>K</b>	<b>B</b>	<b>N</b>	<b>2</b>	<b>6</b>	<b>H</b>	<b>N</b>	<b>3</b>	<b>N</b>	<b>N</b>	1600	1000	570	640	920
<b>W</b>	<b>N</b>	<b>K</b>	<b>B</b>	<b>N</b>	<b>2</b>	<b>7</b>	<b>H</b>	<b>N</b>	<b>3</b>	<b>N</b>	<b>N</b>	1800		580	650	930
<b>W</b>	<b>N</b>	<b>K</b>	<b>B</b>	<b>N</b>	<b>2</b>	<b>8</b>	<b>H</b>	<b>N</b>	<b>3</b>	<b>N</b>	<b>N</b>	2000		590	660	940

The cable outlet is on page 138

**L** 2 mm laser edge for selected decors, surcharge 25\*

\*Decors available with laser edge for melamines: BI White, NH Maple, MP Platinum, NJ Acacia.

Rectangular desks with a T-shaped base  
with manual height adjustment via a crank (650- 1050 mm)



- N** Without hole for cable outlet
- L** Left hole for cable outlet
- R** Right hole for cable outlet
- D** Left and right holes for cable outlets

												width [mm]	depth [mm]	Melamine + 1	Laminate	Linoleum
														frame: Aluminium (AL), White (BI), Black (CZ)		
<b>W</b>	<b>N</b>	<b>K</b>	<b>R</b>	<b>N</b>	<b>1</b>	<b>6</b>	<b>K</b>	<b>N</b>	<b>3</b>	<b>N</b>	<b>N</b>	1400	700	620	690	970
<b>W</b>	<b>N</b>	<b>K</b>	<b>R</b>	<b>N</b>	<b>1</b>	<b>7</b>	<b>K</b>	<b>N</b>	<b>3</b>	<b>N</b>	<b>N</b>	1600		630	700	980
<b>W</b>	<b>N</b>	<b>K</b>	<b>R</b>	<b>N</b>	<b>0</b>	<b>8</b>	<b>K</b>	<b>N</b>	<b>3</b>	<b>N</b>	<b>N</b>	1400	800	630	700	980
<b>W</b>	<b>N</b>	<b>K</b>	<b>R</b>	<b>N</b>	<b>1</b>	<b>0</b>	<b>K</b>	<b>N</b>	<b>3</b>	<b>N</b>	<b>N</b>	1600		640	710	990
<b>W</b>	<b>N</b>	<b>K</b>	<b>R</b>	<b>N</b>	<b>1</b>	<b>2</b>	<b>K</b>	<b>N</b>	<b>3</b>	<b>N</b>	<b>N</b>	1800		650	720	1000
<b>W</b>	<b>N</b>	<b>K</b>	<b>R</b>	<b>N</b>	<b>1</b>	<b>4</b>	<b>K</b>	<b>N</b>	<b>3</b>	<b>N</b>	<b>N</b>	2000		660	730	1010
<b>W</b>	<b>N</b>	<b>K</b>	<b>R</b>	<b>N</b>	<b>2</b>	<b>2</b>	<b>K</b>	<b>N</b>	<b>3</b>	<b>N</b>	<b>N</b>	1600	900	650	720	1000
<b>W</b>	<b>N</b>	<b>K</b>	<b>R</b>	<b>N</b>	<b>2</b>	<b>3</b>	<b>K</b>	<b>N</b>	<b>3</b>	<b>N</b>	<b>N</b>	1800		660	730	1010
<b>W</b>	<b>N</b>	<b>K</b>	<b>R</b>	<b>N</b>	<b>2</b>	<b>4</b>	<b>K</b>	<b>N</b>	<b>3</b>	<b>N</b>	<b>N</b>	2000		670	740	1020
<b>W</b>	<b>N</b>	<b>K</b>	<b>R</b>	<b>N</b>	<b>2</b>	<b>6</b>	<b>K</b>	<b>N</b>	<b>3</b>	<b>N</b>	<b>N</b>	1600	1000	660	730	1010
<b>W</b>	<b>N</b>	<b>K</b>	<b>R</b>	<b>N</b>	<b>2</b>	<b>7</b>	<b>K</b>	<b>N</b>	<b>3</b>	<b>N</b>	<b>N</b>	1800		670	740	1020
<b>W</b>	<b>N</b>	<b>K</b>	<b>R</b>	<b>N</b>	<b>2</b>	<b>8</b>	<b>K</b>	<b>N</b>	<b>3</b>	<b>N</b>	<b>N</b>	2000		680	750	1030

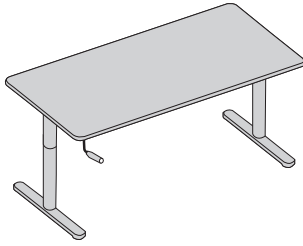
The cable outlet is on page 138

**L** 2 mm laser edge for selected decors, surcharge 25\*

\* Decors available with laser edge for melamines: BI White, NH Maple, MP Platinum, NJ Acacia.

# Desks

Desks rounded on both sides with a T-shaped base with manual height adjustment via a crank (650–1050 mm)



- N** Without hole for cable outlet
- L** Left hole for cable outlet
- R** Right hole for cable outlet
- D** Left and right holes for cable outlets

												width [mm]	depth [mm]	Melamine + 1	Laminate	Linoleum
												frame: Aluminium (AL), White (BI), Black (CZ)				
<b>W</b>	<b>N</b>	<b>K</b>	<b>B</b>	<b>N</b>	<b>1</b>	<b>6</b>	<b>K</b>	<b>N</b>	<b>3</b>	<b>N</b>	<b>N</b>	1400	700	650	720	1000
<b>W</b>	<b>N</b>	<b>K</b>	<b>B</b>	<b>N</b>	<b>1</b>	<b>7</b>	<b>K</b>	<b>N</b>	<b>3</b>	<b>N</b>	<b>N</b>	1600		660	730	1010
<b>W</b>	<b>N</b>	<b>K</b>	<b>B</b>	<b>N</b>	<b>0</b>	<b>8</b>	<b>K</b>	<b>N</b>	<b>3</b>	<b>N</b>	<b>N</b>	1400	800	660	730	1010
<b>W</b>	<b>N</b>	<b>K</b>	<b>B</b>	<b>N</b>	<b>1</b>	<b>0</b>	<b>K</b>	<b>N</b>	<b>3</b>	<b>N</b>	<b>N</b>	1600		670	740	1020
<b>W</b>	<b>N</b>	<b>K</b>	<b>B</b>	<b>N</b>	<b>1</b>	<b>2</b>	<b>K</b>	<b>N</b>	<b>3</b>	<b>N</b>	<b>N</b>	1800		680	750	1030
<b>W</b>	<b>N</b>	<b>K</b>	<b>B</b>	<b>N</b>	<b>1</b>	<b>4</b>	<b>K</b>	<b>N</b>	<b>3</b>	<b>N</b>	<b>N</b>	2000		690	760	1040
<b>W</b>	<b>N</b>	<b>K</b>	<b>B</b>	<b>N</b>	<b>2</b>	<b>2</b>	<b>K</b>	<b>N</b>	<b>3</b>	<b>N</b>	<b>N</b>	1600	900	680	750	1030
<b>W</b>	<b>N</b>	<b>K</b>	<b>B</b>	<b>N</b>	<b>2</b>	<b>3</b>	<b>K</b>	<b>N</b>	<b>3</b>	<b>N</b>	<b>N</b>	1800		690	760	1040
<b>W</b>	<b>N</b>	<b>K</b>	<b>B</b>	<b>N</b>	<b>2</b>	<b>4</b>	<b>K</b>	<b>N</b>	<b>3</b>	<b>N</b>	<b>N</b>	2000		700	770	1050
<b>W</b>	<b>N</b>	<b>K</b>	<b>B</b>	<b>N</b>	<b>2</b>	<b>6</b>	<b>K</b>	<b>N</b>	<b>3</b>	<b>N</b>	<b>N</b>	1600	1000	690	760	1040
<b>W</b>	<b>N</b>	<b>K</b>	<b>B</b>	<b>N</b>	<b>2</b>	<b>7</b>	<b>K</b>	<b>N</b>	<b>3</b>	<b>N</b>	<b>N</b>	1800		700	770	1050
<b>W</b>	<b>N</b>	<b>K</b>	<b>B</b>	<b>N</b>	<b>2</b>	<b>8</b>	<b>K</b>	<b>N</b>	<b>3</b>	<b>N</b>	<b>N</b>	2000		710	780	1060

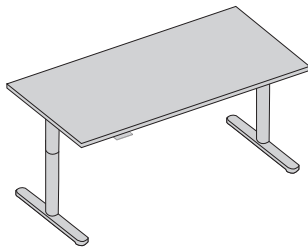
The cable outlet is on page 138

**L** 2 mm laser edge for selected decors, surcharge 25\*

\*Decors available with laser edge for melamines: BI White, NH Maple, MP Platinum, NJ Acacia.



Rectangular desks with a T-shaped base with electric height adjustment (650-1300 mm)



- N** Without hole for cable outlet
- L** Left hole for cable outlet
- R** Right hole for cable outlet
- D** Left and right holes for cable outlets

												width [mm]	depth [mm]	Melamine + 1	Laminate	Linoleum	
														frame: Aluminium (AL), White (BI), Black (CZ)			
W	N	K	R	N	1	6	E	N	3	X	N	1400	700	1070	1140	1420	
W	N	K	R	N	1	7	E	N	3	X	N			1080	1150	1430	
W	N	K	R	N	0	8	E	N	3	X	N	1400	800	1080	1150	1430	
W	N	K	R	N	1	0	E	N	3	X	N			1600	1090	1160	1440
W	N	K	R	N	1	2	E	N	3	X	N			1800	1100	1170	1450
W	N	K	R	N	1	4	E	N	3	X	N			2000	1110	1180	1460
W	N	K	R	N	2	2	E	N	3	X	N	1600	900	1100	1170	1450	
W	N	K	R	N	2	3	E	N	3	X	N			1800	1110	1180	1460
W	N	K	R	N	2	4	E	N	3	X	N			2000	1120	1190	1470
W	N	K	R	N	2	6	E	N	3	X	N	1600	1000	1110	1180	1460	
W	N	K	R	N	2	7	E	N	3	X	N			1800	1120	1190	1470
W	N	K	R	N	2	8	E	N	3	X	N			2000	1130	1200	1480

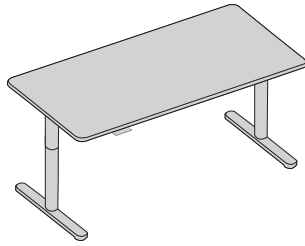
The cable outlet is on page 138

**L** 2 mm laser edge for selected decors, surcharge 25\*

\* Decors available with laser edge for melamines: BI White, NH Maple, MP Platinum, NJ Acacia.

# Desks

Desks rounded on both sides with a T-shaped base with electric height adjustment (650-1300 mm)



- N** Without hole for cable outlet
- L** Left hole for cable outlet
- R** Right hole for cable outlet
- D** Left and right holes for cable outlets

												width [mm]	depth [mm]	Melamine + 1	Laminate	Linoleum
												frame: Aluminium (AL), White (BI), Black (CZ)				
<b>W</b>	<b>N</b>	<b>K</b>	<b>B</b>	<b>N</b>	<b>1</b>	<b>6</b>	<b>E</b>	<b>N</b>	<b>3</b>	<b>X</b>	<b>N</b>	1400	700	1100	1170	1450
<b>W</b>	<b>N</b>	<b>K</b>	<b>B</b>	<b>N</b>	<b>1</b>	<b>7</b>	<b>E</b>	<b>N</b>	<b>3</b>	<b>X</b>	<b>N</b>	1600		1110	1180	1460
<b>W</b>	<b>N</b>	<b>K</b>	<b>B</b>	<b>N</b>	<b>0</b>	<b>8</b>	<b>E</b>	<b>N</b>	<b>3</b>	<b>X</b>	<b>N</b>	1400	800	1110	1180	1460
<b>W</b>	<b>N</b>	<b>K</b>	<b>B</b>	<b>N</b>	<b>1</b>	<b>0</b>	<b>E</b>	<b>N</b>	<b>3</b>	<b>X</b>	<b>N</b>	1600		1120	1190	1470
<b>W</b>	<b>N</b>	<b>K</b>	<b>B</b>	<b>N</b>	<b>1</b>	<b>2</b>	<b>E</b>	<b>N</b>	<b>3</b>	<b>X</b>	<b>N</b>	1800		1130	1200	1480
<b>W</b>	<b>N</b>	<b>K</b>	<b>B</b>	<b>N</b>	<b>1</b>	<b>4</b>	<b>E</b>	<b>N</b>	<b>3</b>	<b>X</b>	<b>N</b>	2000		1140	1210	1490
<b>W</b>	<b>N</b>	<b>K</b>	<b>B</b>	<b>N</b>	<b>2</b>	<b>2</b>	<b>E</b>	<b>N</b>	<b>3</b>	<b>X</b>	<b>N</b>	1600	900	1130	1200	1480
<b>W</b>	<b>N</b>	<b>K</b>	<b>B</b>	<b>N</b>	<b>2</b>	<b>3</b>	<b>E</b>	<b>N</b>	<b>3</b>	<b>X</b>	<b>N</b>	1800		1140	1210	1490
<b>W</b>	<b>N</b>	<b>K</b>	<b>B</b>	<b>N</b>	<b>2</b>	<b>4</b>	<b>E</b>	<b>N</b>	<b>3</b>	<b>X</b>	<b>N</b>	2000		1150	1220	1500
<b>W</b>	<b>N</b>	<b>K</b>	<b>B</b>	<b>N</b>	<b>2</b>	<b>6</b>	<b>E</b>	<b>N</b>	<b>3</b>	<b>X</b>	<b>N</b>	1600	1000	1140	1210	1490
<b>W</b>	<b>N</b>	<b>K</b>	<b>B</b>	<b>N</b>	<b>2</b>	<b>7</b>	<b>E</b>	<b>N</b>	<b>3</b>	<b>X</b>	<b>N</b>	1800		1150	1220	1500
<b>W</b>	<b>N</b>	<b>K</b>	<b>B</b>	<b>N</b>	<b>2</b>	<b>8</b>	<b>E</b>	<b>N</b>	<b>3</b>	<b>X</b>	<b>N</b>	2000		1160	1230	1510

The cable outlet is on page 138

**L** 2 mm laser edge for selected decors, surcharge 25\*

\*Decors available with laser edge for melamines: BI White, NH Maple, MP Platinum, NJ Acacia.

**Frame** - is made of a rectangular 30 × 40 × 3 mm steel profile.

The frame is fixed to the desktop using spacers. There are aluminium inserts at the ends of the frame.

**Base** - is made of a rectangular 50 × 40 × 3 mm top profile for integration with a U-shaped tubular frame using a patented welding joint.

The U-shaped tubing has a special, horizontal cut on the inner side of its upper part, while the upper end of the pipe, placed over the cut, is deformed inside the other part of the pipe

without the cut. It creates a special supporting section resembling the letter V.

This cut acts as a special socket for the end of the top profile connecting two ends of the U-shaped profile. This solution increases the strength of the welding joint. The profile is fitted with aluminium inserts.

To connect the frame to the base, a patented joint is used: connector-inset.

The connector that frame beams are fitted with has a special cone-shaped tenon which perfectly slots into a corresponding socket.

**Desktop** - is made of 25 mm cellular board coated with HPL laminate on one side. The underside of the desktop is covered with grey backing laminate.

**Wire trunking** - there are special through holes in the desk beams that allow the desks to be fitted with hooks used for suspending perforated cable trunking.

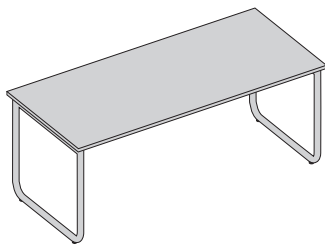
## Cellular board

Cellular board is a modern and eco-friendly material widely used in the furniture industry. Its structure consists of a paper filling resembling a cellular board and high-resistance surface layers, e.g. chipboards or HDF boards.

The main advantages of cellular board are as follows:

- 1. Lightness** - furniture made of cellular board is more functional, easier to arrange, and more eco-friendly. The use of cellular board helps optimise transport costs and fuel consumption.
- 2. Great resistance** - thanks to its multilayered structure, cellular board is exceptionally resistant to bending.

## Rectangular desks with a U-shaped base with a patented solution, height 740 mm



- N** Without hole for cable outlet
- L** Left hole for cable outlet
- R** Right hole for cable outlet
- D** Left and right holes for cable outlets

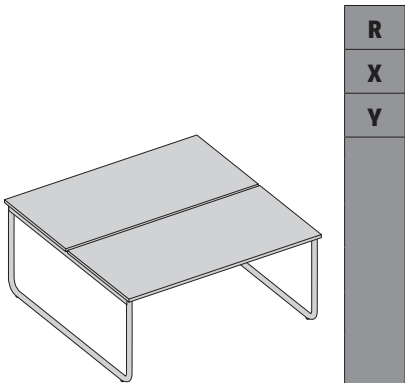
												width [mm]	depth [mm]	Laminate
												frame: Aluminium (AL), White (BI), Black (CZ)		
W	N	K	R	P	0	6	N	N	6	N	N	1200	800	460
W	N	K	R	P	0	8	N	N	6	N	N			480
W	N	K	R	P	1	0	N	N	6	N	N			500
W	N	K	R	P	1	2	N	N	6	N	N			520
W	N	K	R	P	1	4	N	N	6	N	N			540
												1600	900	520
W	N	K	R	P	2	2	N	N	6	N	N			540
W	N	K	R	P	2	3	N	N	6	N	N			560
												1600	1000	550
W	N	K	R	P	2	6	N	N	6	N	N			570
W	N	K	R	P	2	7	N	N	6	N	N			590
W	N	K	R	P	2	8	N	N	6	N	N	2000		590

The cable outlet is on page 138

\* Decors available with laser edge for melamines: BI White, NH Maple, MP Platinum, NJ Acacia.

# Workbench

Workbench – rectangular basic unit with a U-shaped base, height 740 mm



- R** Rectangular tops
- X** Rectangular tops + 1 × desk extension, surcharge 88
- Y** Rectangular tops + 2 × desk extension, surcharge 180

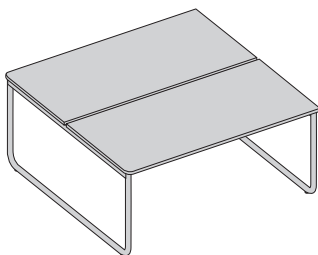
- N** Without hole for cable outlet
- L** 2 × left hole for cable outlet
- R** 2 × right hole for cable outlet
- D** 2 × left and right holes for cable outlets

														width [mm]	depth [mm]	Melamine + 1		
<b>W</b>	<b>N</b>	<b>K</b>	<b>W</b>	<b>B</b>	<b>P</b>	<b>R</b>	<b>0</b>	<b>6</b>	<b>N</b>	<b>N</b>	<b>6</b>	<b>N</b>	<b>N</b>	1200	2 × 800	frame: Aluminium (AL), White (BI), Black (CZ)		
<b>W</b>	<b>N</b>	<b>K</b>	<b>W</b>	<b>B</b>	<b>P</b>	<b>R</b>	<b>0</b>	<b>8</b>	<b>N</b>	<b>N</b>	<b>6</b>	<b>N</b>	<b>N</b>	1400		650		
<b>W</b>	<b>N</b>	<b>K</b>	<b>W</b>	<b>B</b>	<b>P</b>	<b>R</b>	<b>1</b>	<b>0</b>	<b>N</b>	<b>N</b>	<b>6</b>	<b>N</b>	<b>N</b>	1600		670		
<b>W</b>	<b>N</b>	<b>K</b>	<b>W</b>	<b>B</b>	<b>P</b>	<b>R</b>	<b>1</b>	<b>2</b>	<b>N</b>	<b>N</b>	<b>6</b>	<b>N</b>	<b>N</b>	1800		690		
																		710

- L** 2 mm laser edge for selected decors, surcharge 50\*

The cable outlet is on page 138

Workbench – one-side rounded basic unit with a U-shaped base, height 740 mm



- N** Without hole for cable outlet
- L** 2 × left hole for cable outlet
- R** 2 × right hole for cable outlet
- D** 2 × left and right holes for cable outlets

- R** Right desk
- L** Left desk (in the drawing)

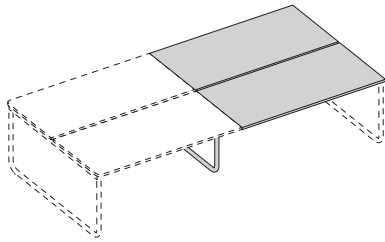
														width [mm]	depth [mm]	Melamine + 1		
<b>W</b>	<b>N</b>	<b>K</b>	<b>W</b>	<b>B</b>	<b>P</b>	<b>Z</b>	<b>0</b>	<b>6</b>	<b>N</b>	<b>N</b>	<b>6</b>	<b>N</b>	<b>R</b>	1200	2 × 800	frame: Aluminium (AL), White (BI), Black (CZ)		
<b>W</b>	<b>N</b>	<b>K</b>	<b>W</b>	<b>B</b>	<b>P</b>	<b>Z</b>	<b>0</b>	<b>8</b>	<b>N</b>	<b>N</b>	<b>6</b>	<b>N</b>	<b>R</b>	1400		665		
<b>W</b>	<b>N</b>	<b>K</b>	<b>W</b>	<b>B</b>	<b>P</b>	<b>Z</b>	<b>1</b>	<b>0</b>	<b>N</b>	<b>N</b>	<b>6</b>	<b>N</b>	<b>R</b>	1600		685		
<b>W</b>	<b>N</b>	<b>K</b>	<b>W</b>	<b>B</b>	<b>P</b>	<b>Z</b>	<b>1</b>	<b>2</b>	<b>N</b>	<b>N</b>	<b>6</b>	<b>N</b>	<b>R</b>	1800		705		
																		725

- L** 2 mm laser edge for selected decors, surcharge 50\*

The cable outlet is on page 138

\*Decors available with laser edge for melamines: BI White, NH Maple, MP Platinum, NJ Acacia.

## Workbench – additional rectangular unit with a U-shaped base, height 740 mm



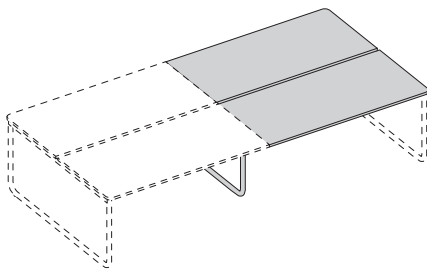
- N** Without hole for cable outlet
- L** 2 × left hole for cable outlet
- R** 2 × right hole for cable outlet
- D** 2 × left and right holes for cable outlets

													width [mm]	depth [mm]	Melamine + 1	
<b>W</b>	<b>N</b>	<b>K</b>	<b>W</b>	<b>B</b>	<b>D</b>	<b>R</b>	<b>0</b>	<b>6</b>	<b>N</b>	<b>N</b>	<b>6</b>	<b>N</b>	<b>N</b>	1200	2 × 800	frame: Aluminium (AL), White (BI), Black (CZ)
<b>W</b>	<b>N</b>	<b>K</b>	<b>W</b>	<b>B</b>	<b>D</b>	<b>R</b>	<b>0</b>	<b>8</b>	<b>N</b>	<b>N</b>	<b>6</b>	<b>N</b>	<b>N</b>			520
<b>W</b>	<b>N</b>	<b>K</b>	<b>W</b>	<b>B</b>	<b>D</b>	<b>R</b>	<b>1</b>	<b>0</b>	<b>N</b>	<b>N</b>	<b>6</b>	<b>N</b>	<b>N</b>			540
<b>W</b>	<b>N</b>	<b>K</b>	<b>W</b>	<b>B</b>	<b>D</b>	<b>R</b>	<b>1</b>	<b>2</b>	<b>N</b>	<b>N</b>	<b>6</b>	<b>N</b>	<b>N</b>			560
													1800		580	

The cable outlet is on page 138

- L** 2 mm laser edge for selected decors, surcharge 50\*

## Workbench – additional one-side rounded unit with a U-shaped base, height 740 mm



- N** Without hole for cable outlet
- L** 2 × left hole for cable outlet
- R** 2 × right hole for cable outlet
- D** 2 × left and right holes for cable outlets

													width [mm]	depth [mm]	Melamine + 1	
<b>W</b>	<b>N</b>	<b>K</b>	<b>W</b>	<b>B</b>	<b>D</b>	<b>Z</b>	<b>0</b>	<b>6</b>	<b>N</b>	<b>N</b>	<b>6</b>	<b>N</b>	<b>R</b>	1200	2 × 800	frame: Aluminium (AL), White (BI), Black (CZ)
<b>W</b>	<b>N</b>	<b>K</b>	<b>W</b>	<b>B</b>	<b>D</b>	<b>Z</b>	<b>0</b>	<b>8</b>	<b>N</b>	<b>N</b>	<b>6</b>	<b>N</b>	<b>R</b>			535
<b>W</b>	<b>N</b>	<b>K</b>	<b>W</b>	<b>B</b>	<b>D</b>	<b>Z</b>	<b>1</b>	<b>0</b>	<b>N</b>	<b>N</b>	<b>6</b>	<b>N</b>	<b>R</b>			555
<b>W</b>	<b>N</b>	<b>K</b>	<b>W</b>	<b>B</b>	<b>D</b>	<b>Z</b>	<b>1</b>	<b>2</b>	<b>N</b>	<b>N</b>	<b>6</b>	<b>N</b>	<b>R</b>			575
													1800		595	

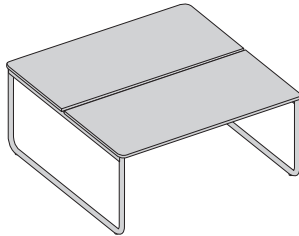
The cable outlet is on page 138

- L** 2 mm laser edge for selected decors, surcharge 50\*

\* Decors available with laser edge for melamines: BI White, NH Maple, MP Platinum, NJ Acacia.

# Workbench

Workbench – basic unit rounded on both sides with a U-shaped base, without an extension possibility, height 740 mm



- N** Without hole for cable outlet
- L** 2 × left hole for cable outlet
- R** 2 × right hole for cable outlet
- D** 2 × left and right holes for cable outlets

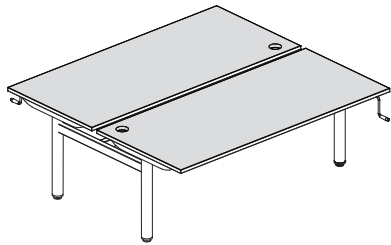
														width [mm]	depth [mm]	Melamine + 1		
<b>W</b>	<b>N</b>	<b>K</b>	<b>W</b>	<b>B</b>	<b>P</b>	<b>B</b>	<b>0</b>	<b>6</b>	<b>N</b>	<b>N</b>	<b>6</b>	<b>N</b>	<b>N</b>	1200	2 × 800	frame: Aluminium (AL), White (BI), Black (CZ)		
<b>W</b>	<b>N</b>	<b>K</b>	<b>W</b>	<b>B</b>	<b>P</b>	<b>B</b>	<b>0</b>	<b>8</b>	<b>N</b>	<b>N</b>	<b>6</b>	<b>N</b>	<b>N</b>	1400		680		
<b>W</b>	<b>N</b>	<b>K</b>	<b>W</b>	<b>B</b>	<b>P</b>	<b>B</b>	<b>1</b>	<b>0</b>	<b>N</b>	<b>N</b>	<b>6</b>	<b>N</b>	<b>N</b>	1600		700		
<b>W</b>	<b>N</b>	<b>K</b>	<b>W</b>	<b>B</b>	<b>P</b>	<b>B</b>	<b>1</b>	<b>2</b>	<b>N</b>	<b>N</b>	<b>6</b>	<b>N</b>	<b>N</b>	1800		720		
																		740

The cable outlet is on page 138

**L** 2 mm laser edge for selected decors, surcharge 50\*

\*Decors available with laser edge for melamines: BI White, NH Maple, MP Platinum, NJ Acacia.

Workbench with rectangular tops, on an H-shaped base, with manual height adjustment with a crank (650–1050 mm)



- N** Without hole for cable outlet
- L** 2 × left hole for cable outlet
- R** 2 × right hole for cable outlet
- D** 2 × left and right holes for cable outlets

													width [mm]	depth [mm]	Melamine + 1	Laminate	Linoleum		
															frame: Aluminium (AL), White (BI), Black (CZ)				
W	N	K	W	B	P	R	1	6	K	N	H	N	N	1400	2 × 700	1200	1340	1900	
W	N	K	W	B	P	R	1	7	K	N	H	N	N			1600	1220	1360	1920
W	N	K	W	B	P	R	0	8	K	N	H	N	N	1400	2 × 800	1220	1360	1920	
W	N	K	W	B	P	R	1	0	K	N	H	N	N			1600	1240	1380	1940
W	N	K	W	B	P	R	1	2	K	N	H	N	N			1800	1260	1400	1960
W	N	K	W	B	P	R	1	4	K	N	H	N	N			2000	1280	1420	1980
W	N	K	W	B	P	R	2	2	K	N	H	N	N	1600	2 × 900	1260	1400	1960	
W	N	K	W	B	P	R	2	3	K	N	H	N	N			1800	1280	1420	1980
W	N	K	W	B	P	R	2	4	K	N	H	N	N			2000	1300	1440	2000

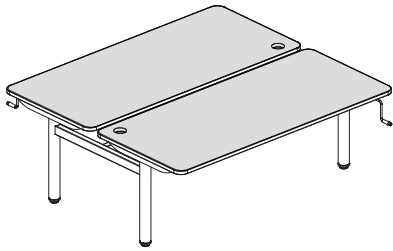
The cable outlet is on page 138

**L** 2 mm laser edge for selected decors, surcharge 50\*

\* Decors available with laser edge for melamines: BI White, NH Maple, MP Platinum, NJ Acacia.

# Workbench

Workbench with tops rounded on both sides, on an H-shaped base, with manual height adjustment with a crank (650–1050 mm)



- N** Without hole for cable outlet
- L** 2 × left hole for cable outlet
- R** 2 × right hole for cable outlet
- D** 2 × left and right holes for cable outlets

													width [mm]	depth [mm]	Melamine + 1	Laminate	Linoleum		
															frame: Aluminium (AL), White (BI), Black (CZ)				
<b>W</b>	<b>N</b>	<b>K</b>	<b>W</b>	<b>B</b>	<b>P</b>	<b>B</b>	<b>1</b>	<b>6</b>	<b>K</b>	<b>N</b>	<b>H</b>	<b>N</b>	<b>N</b>	1400	2 × 700	1260	1400	1960	
<b>W</b>	<b>N</b>	<b>K</b>	<b>W</b>	<b>B</b>	<b>P</b>	<b>B</b>	<b>1</b>	<b>7</b>	<b>K</b>	<b>N</b>	<b>H</b>	<b>N</b>	<b>N</b>			1600	1280	1420	1980
<b>W</b>	<b>N</b>	<b>K</b>	<b>W</b>	<b>B</b>	<b>P</b>	<b>B</b>	<b>0</b>	<b>8</b>	<b>K</b>	<b>N</b>	<b>H</b>	<b>N</b>	<b>N</b>	1400	2 × 800	1280	1420	1980	
<b>W</b>	<b>N</b>	<b>K</b>	<b>W</b>	<b>B</b>	<b>P</b>	<b>B</b>	<b>1</b>	<b>0</b>	<b>K</b>	<b>N</b>	<b>H</b>	<b>N</b>	<b>N</b>			1600	1300	1440	2000
<b>W</b>	<b>N</b>	<b>K</b>	<b>W</b>	<b>B</b>	<b>P</b>	<b>B</b>	<b>1</b>	<b>2</b>	<b>K</b>	<b>N</b>	<b>H</b>	<b>N</b>	<b>N</b>			1800	1320	1460	2020
<b>W</b>	<b>N</b>	<b>K</b>	<b>W</b>	<b>B</b>	<b>P</b>	<b>B</b>	<b>1</b>	<b>4</b>	<b>K</b>	<b>N</b>	<b>H</b>	<b>N</b>	<b>N</b>			2000	1340	1480	2040
<b>W</b>	<b>N</b>	<b>K</b>	<b>W</b>	<b>B</b>	<b>P</b>	<b>B</b>	<b>2</b>	<b>2</b>	<b>K</b>	<b>N</b>	<b>H</b>	<b>N</b>	<b>N</b>	1600	2 × 900	1320	1460	2020	
<b>W</b>	<b>N</b>	<b>K</b>	<b>W</b>	<b>B</b>	<b>P</b>	<b>B</b>	<b>2</b>	<b>3</b>	<b>K</b>	<b>N</b>	<b>H</b>	<b>N</b>	<b>N</b>			1800	1340	1480	2040
<b>W</b>	<b>N</b>	<b>K</b>	<b>W</b>	<b>B</b>	<b>P</b>	<b>B</b>	<b>2</b>	<b>4</b>	<b>K</b>	<b>N</b>	<b>H</b>	<b>N</b>	<b>N</b>			2000	1360	1500	2060

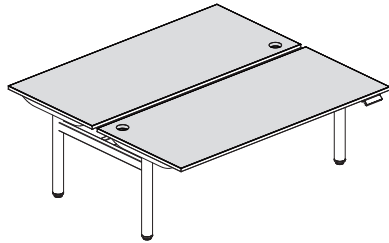
The cable outlet is on page 138

**L** 2 mm laser edge for selected decors, surcharge 50\*

\*Decors available with laser edge for melamines: BI White, NH Maple, MP Platinum, NJ Acacia.



Workbench with rectangular tops, on an H-shaped base, with electric height adjustment (650–1300 mm)



- N** Without hole for cable outlet
- L** 2 × left hole for cable outlet
- R** 2 × right hole for cable outlet
- D** 2 × left and right holes for cable outlets

													width [mm]	depth [mm]	Melamine + 1	Laminate	Linoleum		
															frame: Aluminium (AL), White (BI), Black (CZ)				
<b>W</b>	<b>N</b>	<b>K</b>	<b>W</b>	<b>B</b>	<b>P</b>	<b>R</b>	<b>1</b>	<b>6</b>	<b>E</b>	<b>N</b>	<b>H</b>	<b>X</b>	<b>N</b>	1400	2 × 700	2090	2230	2790	
<b>W</b>	<b>N</b>	<b>K</b>	<b>W</b>	<b>B</b>	<b>P</b>	<b>R</b>	<b>1</b>	<b>7</b>	<b>E</b>	<b>N</b>	<b>H</b>	<b>X</b>	<b>N</b>			1600	2110	2250	2810
<b>W</b>	<b>N</b>	<b>K</b>	<b>W</b>	<b>B</b>	<b>P</b>	<b>R</b>	<b>0</b>	<b>8</b>	<b>E</b>	<b>N</b>	<b>H</b>	<b>X</b>	<b>N</b>	1400	2 × 800	2110	2250	2810	
<b>W</b>	<b>N</b>	<b>K</b>	<b>W</b>	<b>B</b>	<b>P</b>	<b>R</b>	<b>1</b>	<b>0</b>	<b>E</b>	<b>N</b>	<b>H</b>	<b>X</b>	<b>N</b>			1600	2130	2270	2830
<b>W</b>	<b>N</b>	<b>K</b>	<b>W</b>	<b>B</b>	<b>P</b>	<b>R</b>	<b>1</b>	<b>2</b>	<b>E</b>	<b>N</b>	<b>H</b>	<b>X</b>	<b>N</b>			1800	2150	2290	2850
<b>W</b>	<b>N</b>	<b>K</b>	<b>W</b>	<b>B</b>	<b>P</b>	<b>R</b>	<b>1</b>	<b>4</b>	<b>E</b>	<b>N</b>	<b>H</b>	<b>X</b>	<b>N</b>			2000	2170	2310	2870
<b>W</b>	<b>N</b>	<b>K</b>	<b>W</b>	<b>B</b>	<b>P</b>	<b>R</b>	<b>2</b>	<b>2</b>	<b>E</b>	<b>N</b>	<b>H</b>	<b>X</b>	<b>N</b>	1600	2 × 900	2150	2290	2850	
<b>W</b>	<b>N</b>	<b>K</b>	<b>W</b>	<b>B</b>	<b>P</b>	<b>R</b>	<b>2</b>	<b>3</b>	<b>E</b>	<b>N</b>	<b>H</b>	<b>X</b>	<b>N</b>			1800	2170	2310	2870
<b>W</b>	<b>N</b>	<b>K</b>	<b>W</b>	<b>B</b>	<b>P</b>	<b>R</b>	<b>2</b>	<b>4</b>	<b>E</b>	<b>N</b>	<b>H</b>	<b>X</b>	<b>N</b>			2000	2190	2330	2890

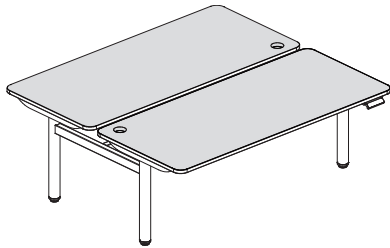
The cable outlet is on page 138

**L** 2 mm laser edge for selected decors, surcharge 50\*

\* Decors available with laser edge for melamines: BI White, NH Maple, MP Platinum, NJ Acacia.

# Workbench

Workbench with tops rounded on both sides, on an H-shaped base, with electric height adjustment (650–1300 mm)



- N** Without hole for cable outlet
- L** 2 × left hole for cable outlet
- R** 2 × right hole for cable outlet
- D** 2 × left and right holes for cable outlets

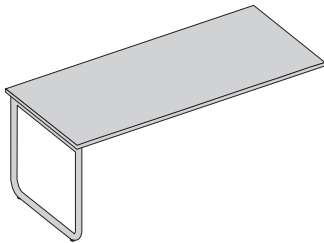
														width [mm]	depth [mm]	Melamine + 1	Laminate	Linoleum	
																frame: Aluminium (AL), White (BI), Black (CZ)			
<b>W</b>	<b>N</b>	<b>K</b>	<b>W</b>	<b>B</b>	<b>P</b>	<b>B</b>	<b>1</b>	<b>6</b>	<b>E</b>	<b>N</b>	<b>H</b>	<b>X</b>	<b>N</b>	1400	2 × 700	2150	2290	2850	
<b>W</b>	<b>N</b>	<b>K</b>	<b>W</b>	<b>B</b>	<b>P</b>	<b>B</b>	<b>1</b>	<b>7</b>	<b>E</b>	<b>N</b>	<b>H</b>	<b>X</b>	<b>N</b>			1600	2170	2310	2870
<b>W</b>	<b>N</b>	<b>K</b>	<b>W</b>	<b>B</b>	<b>P</b>	<b>B</b>	<b>0</b>	<b>8</b>	<b>E</b>	<b>N</b>	<b>H</b>	<b>X</b>	<b>N</b>	1400	2 × 800	2170	2310	2870	
<b>W</b>	<b>N</b>	<b>K</b>	<b>W</b>	<b>B</b>	<b>P</b>	<b>B</b>	<b>1</b>	<b>0</b>	<b>E</b>	<b>N</b>	<b>H</b>	<b>X</b>	<b>N</b>			1600	2190	2330	2890
<b>W</b>	<b>N</b>	<b>K</b>	<b>W</b>	<b>B</b>	<b>P</b>	<b>B</b>	<b>1</b>	<b>2</b>	<b>E</b>	<b>N</b>	<b>H</b>	<b>X</b>	<b>N</b>			1800	2210	2350	2910
<b>W</b>	<b>N</b>	<b>K</b>	<b>W</b>	<b>B</b>	<b>P</b>	<b>B</b>	<b>1</b>	<b>4</b>	<b>E</b>	<b>N</b>	<b>H</b>	<b>X</b>	<b>N</b>			2000	2230	2370	2930
<b>W</b>	<b>N</b>	<b>K</b>	<b>W</b>	<b>B</b>	<b>P</b>	<b>B</b>	<b>2</b>	<b>2</b>	<b>E</b>	<b>N</b>	<b>H</b>	<b>X</b>	<b>N</b>	1600	2 × 900	2210	2350	2910	
<b>W</b>	<b>N</b>	<b>K</b>	<b>W</b>	<b>B</b>	<b>P</b>	<b>B</b>	<b>2</b>	<b>3</b>	<b>E</b>	<b>N</b>	<b>H</b>	<b>X</b>	<b>N</b>			1800	2230	2370	2930
<b>W</b>	<b>N</b>	<b>K</b>	<b>W</b>	<b>B</b>	<b>P</b>	<b>B</b>	<b>2</b>	<b>4</b>	<b>E</b>	<b>N</b>	<b>H</b>	<b>X</b>	<b>N</b>			2000	2250	2390	2950

The cable outlet is on page 138

**L** 2 mm laser edge for selected decors, surcharge 50\*

\*Decors available with laser edge for melamines: BI White, NH Maple, MP Platinum, NJ Acacia.

Rectangular desks with a U-shaped base for integration with a cabinet, without height adjustment, height 740 mm



- N** Without hole for cable outlet
- L** Left hole for cable outlet
- R** Right hole for cable outlet
- D** Left and right holes for cable outlets

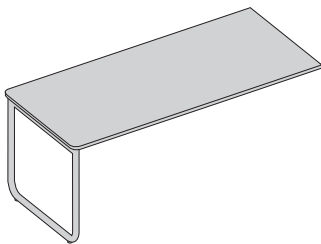
- R** Right desk (in the drawing)
- L** Left desk

												width [mm]	depth [mm]	Melamine + 1
												frame: Aluminium (AL), White (BI), Black (CZ)		
<b>W</b>	<b>N</b>	<b>K</b>	<b>R</b>	<b>S</b>	<b>0</b>	<b>6</b>	<b>N</b>	<b>N</b>	<b>6</b>	<b>N</b>	<b>R</b>	1200	800	270
<b>W</b>	<b>N</b>	<b>K</b>	<b>R</b>	<b>S</b>	<b>0</b>	<b>8</b>	<b>N</b>	<b>N</b>	<b>6</b>	<b>N</b>	<b>R</b>	1400		280
<b>W</b>	<b>N</b>	<b>K</b>	<b>R</b>	<b>S</b>	<b>1</b>	<b>0</b>	<b>N</b>	<b>N</b>	<b>6</b>	<b>N</b>	<b>R</b>	1600		290
<b>W</b>	<b>N</b>	<b>K</b>	<b>R</b>	<b>S</b>	<b>1</b>	<b>2</b>	<b>N</b>	<b>N</b>	<b>6</b>	<b>N</b>	<b>R</b>	1800		300

The cable outlet is on page 138

- L** 2 mm laser edge for selected decors, surcharge 25\*

One-side rounded desks with a U-shaped base for integration with a cabinet, without height adjustment, height 740 mm



- N** Without hole for cable outlet
- L** Left hole for cable outlet
- R** Right hole for cable outlet
- D** Left and right holes for cable outlets

- R** Right desk (in the drawing)
- L** Left desk

												width [mm]	depth [mm]	Melamine + 1
												frame: Aluminium (AL), White (BI), Black (CZ)		
<b>W</b>	<b>N</b>	<b>K</b>	<b>Z</b>	<b>S</b>	<b>0</b>	<b>6</b>	<b>N</b>	<b>N</b>	<b>6</b>	<b>N</b>	<b>R</b>	1200	800	285
<b>W</b>	<b>N</b>	<b>K</b>	<b>Z</b>	<b>S</b>	<b>0</b>	<b>8</b>	<b>N</b>	<b>N</b>	<b>6</b>	<b>N</b>	<b>R</b>	1400		295
<b>W</b>	<b>N</b>	<b>K</b>	<b>Z</b>	<b>S</b>	<b>1</b>	<b>0</b>	<b>N</b>	<b>N</b>	<b>6</b>	<b>N</b>	<b>R</b>	1600		305
<b>W</b>	<b>N</b>	<b>K</b>	<b>Z</b>	<b>S</b>	<b>1</b>	<b>2</b>	<b>N</b>	<b>N</b>	<b>6</b>	<b>N</b>	<b>R</b>	1800		315

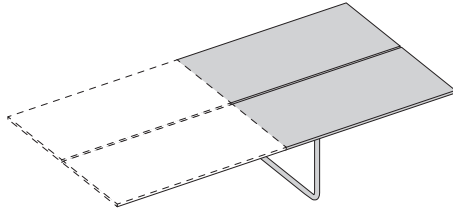
The cable outlet is on page 138

- L** 2 mm laser edge for selected decors, surcharge 25\*

\* Decors available with laser edge for melamines: BI White, NH Maple, MP Platinum, NJ Acacia.

# Workbench

Workbench – rectangular basic unit for integration with cabinets,  
740 mm height



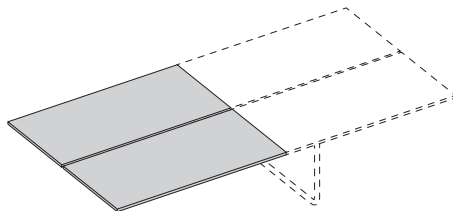
- N** Without hole for cable outlet
- L** 2× left hole for cable outlet
- R** 2× right hole for cable outlet
- D** 2× left and right holes for cable outlets

														width [mm]	depth [mm]	Melamine + 1
<b>W</b>	<b>N</b>	<b>K</b>	<b>W</b>	<b>B</b>	<b>H</b>	<b>R</b>	<b>0</b>	<b>6</b>	<b>N</b>	<b>N</b>	<b>6</b>	<b>N</b>	<b>N</b>	1200	2×800	frame: Aluminium (AL), White (BI), Black (CZ)
<b>W</b>	<b>N</b>	<b>K</b>	<b>W</b>	<b>B</b>	<b>H</b>	<b>R</b>	<b>0</b>	<b>8</b>	<b>N</b>	<b>N</b>	<b>6</b>	<b>N</b>	<b>N</b>	1400		570
<b>W</b>	<b>N</b>	<b>K</b>	<b>W</b>	<b>B</b>	<b>H</b>	<b>R</b>	<b>1</b>	<b>0</b>	<b>N</b>	<b>N</b>	<b>6</b>	<b>N</b>	<b>N</b>	1600		590
<b>W</b>	<b>N</b>	<b>K</b>	<b>W</b>	<b>B</b>	<b>H</b>	<b>R</b>	<b>1</b>	<b>2</b>	<b>N</b>	<b>N</b>	<b>6</b>	<b>N</b>	<b>N</b>	1800		610
																630

The cable outlet is on page 138

- L** 2 mm laser edge for selected decors, surcharge 50\*

Workbench – additional rectangular unit for integration with cabinets,  
740 mm height



- N** Without hole for cable outlet
- L** 2× left hole for cable outlet
- R** 2× right hole for cable outlet
- D** 2× left and right holes for cable outlets

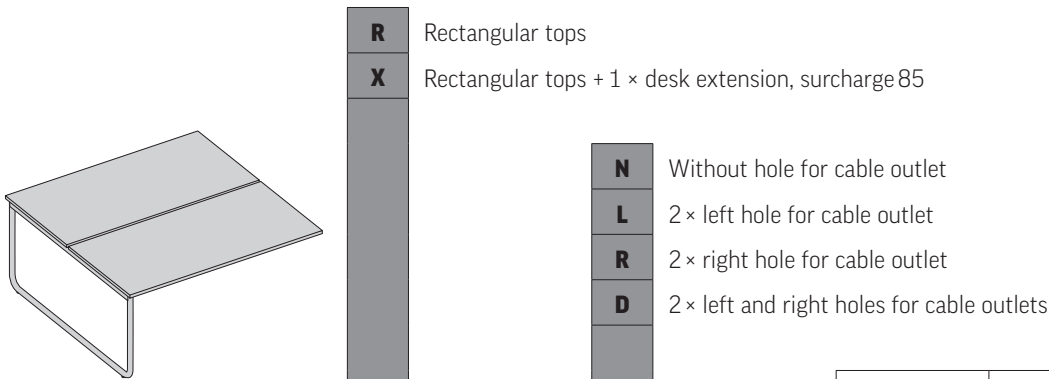
														width [mm]	depth [mm]	Melamine + 1
<b>W</b>	<b>N</b>	<b>K</b>	<b>W</b>	<b>B</b>	<b>T</b>	<b>R</b>	<b>0</b>	<b>6</b>	<b>N</b>	<b>N</b>	<b>6</b>	<b>N</b>	<b>N</b>	1200	2×800	frame: Aluminium (AL), White (BI), Black (CZ)
<b>W</b>	<b>N</b>	<b>K</b>	<b>W</b>	<b>B</b>	<b>T</b>	<b>R</b>	<b>0</b>	<b>8</b>	<b>N</b>	<b>N</b>	<b>6</b>	<b>N</b>	<b>N</b>	1400		440
<b>W</b>	<b>N</b>	<b>K</b>	<b>W</b>	<b>B</b>	<b>T</b>	<b>R</b>	<b>1</b>	<b>0</b>	<b>N</b>	<b>N</b>	<b>6</b>	<b>N</b>	<b>N</b>	1600		460
<b>W</b>	<b>N</b>	<b>K</b>	<b>W</b>	<b>B</b>	<b>T</b>	<b>R</b>	<b>1</b>	<b>2</b>	<b>N</b>	<b>N</b>	<b>6</b>	<b>N</b>	<b>N</b>	1800		480
																500

The cable outlet is on page 138

- L** 2 mm laser edge for selected decors, surcharge 50\*

\*Decors available with laser edge for melamines: BI White, NH Maple, MP Platinum, NJ Acacia.

## Workbench – rectangular basic unit with a U-shaped base for integration with cabinets, 740 mm height



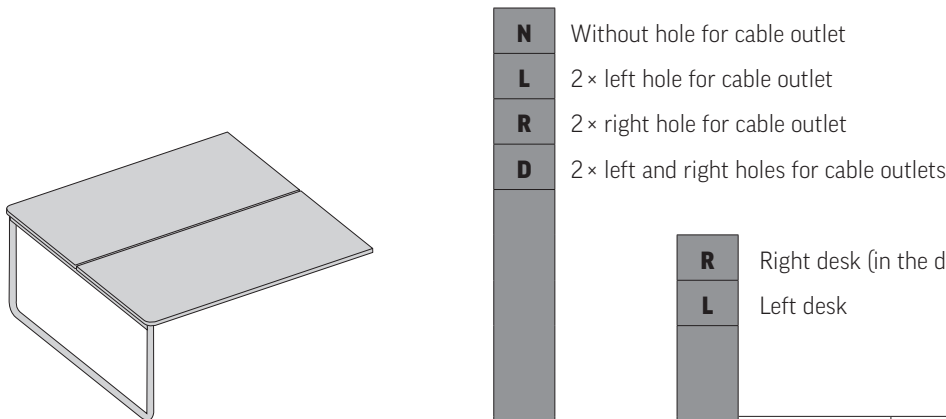
- R** Rectangular tops
- X** Rectangular tops + 1 × desk extension, surcharge 85
- N** Without hole for cable outlet
- L** 2 × left hole for cable outlet
- R** 2 × right hole for cable outlet
- D** 2 × left and right holes for cable outlets

													width [mm]	depth [mm]	Melamine + 1	
													frame: Aluminium (AL), White (BI), Black (CZ)			
<b>W</b>	<b>N</b>	<b>K</b>	<b>W</b>	<b>B</b>	<b>S</b>	<b>R</b>	<b>0</b>	<b>6</b>	<b>N</b>	<b>N</b>	<b>6</b>	<b>N</b>	<b>N</b>	1200	2 × 800	555
<b>W</b>	<b>N</b>	<b>K</b>	<b>W</b>	<b>B</b>	<b>S</b>	<b>R</b>	<b>0</b>	<b>8</b>	<b>N</b>	<b>N</b>	<b>6</b>	<b>N</b>	<b>N</b>	1400		575
<b>W</b>	<b>N</b>	<b>K</b>	<b>W</b>	<b>B</b>	<b>S</b>	<b>R</b>	<b>1</b>	<b>0</b>	<b>N</b>	<b>N</b>	<b>6</b>	<b>N</b>	<b>N</b>	1600		595
<b>W</b>	<b>N</b>	<b>K</b>	<b>W</b>	<b>B</b>	<b>S</b>	<b>R</b>	<b>1</b>	<b>2</b>	<b>N</b>	<b>N</b>	<b>6</b>	<b>N</b>	<b>N</b>	1800		615

The cable outlet is on page 138

- L** 2 mm laser edge for selected decors, surcharge 50\*

## Workbench – one-side rounded basic unit with a U-shaped base for integration with cabinets, height 740 mm



- N** Without hole for cable outlet
- L** 2 × left hole for cable outlet
- R** 2 × right hole for cable outlet
- D** 2 × left and right holes for cable outlets
- R** Right desk (in the drawing)
- L** Left desk

													width [mm]	depth [mm]	Melamine + 1	
													frame: Aluminium (AL), White (BI), Black (CZ)			
<b>W</b>	<b>N</b>	<b>K</b>	<b>W</b>	<b>B</b>	<b>S</b>	<b>Z</b>	<b>0</b>	<b>6</b>	<b>N</b>	<b>N</b>	<b>6</b>	<b>N</b>	<b>R</b>	1200	2 × 800	570
<b>W</b>	<b>N</b>	<b>K</b>	<b>W</b>	<b>B</b>	<b>S</b>	<b>Z</b>	<b>0</b>	<b>8</b>	<b>N</b>	<b>N</b>	<b>6</b>	<b>N</b>	<b>R</b>	1400		590
<b>W</b>	<b>N</b>	<b>K</b>	<b>W</b>	<b>B</b>	<b>S</b>	<b>Z</b>	<b>1</b>	<b>0</b>	<b>N</b>	<b>N</b>	<b>6</b>	<b>N</b>	<b>R</b>	1600		610
<b>W</b>	<b>N</b>	<b>K</b>	<b>W</b>	<b>B</b>	<b>S</b>	<b>Z</b>	<b>1</b>	<b>2</b>	<b>N</b>	<b>N</b>	<b>6</b>	<b>N</b>	<b>R</b>	1800		630

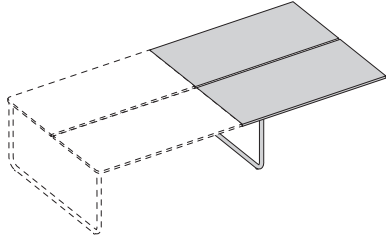
The cable outlet is on page 138

- L** 2 mm laser edge for selected decors, surcharge 50\*

\* Decors available with laser edge for melamines: BI White, NH Maple, MP Platinum, NJ Acacia.

# Workbench

Workbench – additional rectangular unit with a U-shaped base for integration with cabinets, 740 mm height



- N** Without hole for cable outlet
- L** 2× left hole for cable outlet
- R** 2× right hole for cable outlet
- D** 2× left and right holes for cable outlets

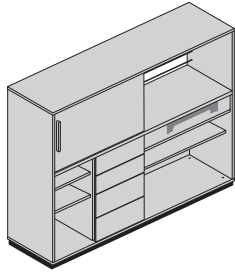
														width [mm]	depth [mm]	Melamine + 1		
<b>W</b>	<b>N</b>	<b>K</b>	<b>W</b>	<b>B</b>	<b>D</b>	<b>R</b>	<b>0</b>	<b>6</b>	<b>N</b>	<b>N</b>	<b>6</b>	<b>N</b>	<b>N</b>	1200	2×800	frame: Aluminium (AL), White (BI), Black (CZ)		
<b>W</b>	<b>N</b>	<b>K</b>	<b>W</b>	<b>B</b>	<b>D</b>	<b>R</b>	<b>0</b>	<b>8</b>	<b>N</b>	<b>N</b>	<b>6</b>	<b>N</b>	<b>N</b>	1400		520		
<b>W</b>	<b>N</b>	<b>K</b>	<b>W</b>	<b>B</b>	<b>D</b>	<b>R</b>	<b>1</b>	<b>0</b>	<b>N</b>	<b>N</b>	<b>6</b>	<b>N</b>	<b>N</b>	1600		540		
<b>W</b>	<b>N</b>	<b>K</b>	<b>W</b>	<b>B</b>	<b>D</b>	<b>R</b>	<b>1</b>	<b>2</b>	<b>N</b>	<b>N</b>	<b>6</b>	<b>N</b>	<b>N</b>	1800		560		
																		580

The cable outlet is on page 138

**L** 2 mm laser edge for selected decors, surcharge 50\*

\*Decors available with laser edge for melamines: BI White, NH Maple, MP Platinum, NJ Acacia.

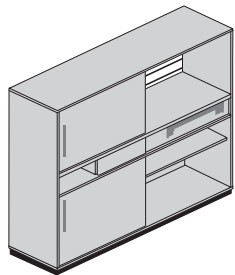
One-sided cabinets for integration with a desk/a workbench



- A** Metal handle (SQart)
- C** Beech wood handle
- F** Oak wood handle (Levitate)
- G** White Beech wood handle
- H** Black Beech wood handle

- N** Without lock
- K** With lock
- R** Right option
- L** Left option (in the drawing)

														<b>h = 3.50H</b>
											MODEL B	width [mm]	depth [mm]	melamine + 1, metal: Aluminium (AL), White (BI), Black (CZ)
<b>W</b>	<b>N</b>	<b>K</b>	<b>S</b>	<b>J</b>	<b>B</b>	<b>6</b>	<b>3</b>	<b>C</b>	<b>N</b>	<b>N</b>		<b>R</b>	1600	445
<b>W</b>	<b>N</b>	<b>K</b>	<b>S</b>	<b>J</b>	<b>B</b>	<b>8</b>	<b>3</b>	<b>C</b>	<b>N</b>	<b>N</b>	<b>R</b>	1800	1115	

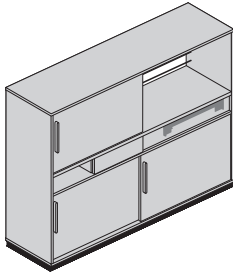


- A** Metal handle (SQart)
- C** Beech wood handle
- F** Oak wood handle (Levitate)
- G** White Beech wood handle
- H** Black Beech wood handle

- R** Right option
- L** Left option (in the drawing)

														<b>h = 3.50H</b>
											MODEL D	width [mm]	depth [mm]	melamine + 1, metal: Aluminium (AL), White (BI), Black (CZ)
<b>W</b>	<b>N</b>	<b>K</b>	<b>S</b>	<b>J</b>	<b>D</b>	<b>6</b>	<b>3</b>	<b>C</b>	<b>N</b>	<b>N</b>		<b>R</b>	1600	445
<b>W</b>	<b>N</b>	<b>K</b>	<b>S</b>	<b>J</b>	<b>D</b>	<b>8</b>	<b>3</b>	<b>C</b>	<b>N</b>	<b>N</b>	<b>R</b>	1800	990	

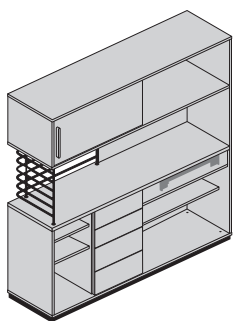
## One-sided cabinets for integration with a desk/a workbench



- A** Metal handle (SQart)
- C** Beech wood handle
- F** Oak wood handle (Levitate)
- G** White Beech wood handle
- H** Black Beech wood handle

- N** Without lock
- K** With lock
- R** Right option
- L** Left option (in the drawing)

														<b>h = 3.50H</b>
											MODEL F	width [mm]	depth [mm]	melamine + 1, metal: Aluminium (AL), White (BI), Black (CZ)
<b>W</b>	<b>N</b>	<b>K</b>	<b>S</b>	<b>J</b>	<b>F</b>	<b>6</b>	<b>3</b>	<b>C</b>	<b>N</b>	<b>N</b>		<b>R</b>	1600	445
<b>W</b>	<b>N</b>	<b>K</b>	<b>S</b>	<b>J</b>	<b>F</b>	<b>8</b>	<b>3</b>	<b>C</b>	<b>N</b>	<b>N</b>	<b>R</b>	1800	<b>1110</b>	



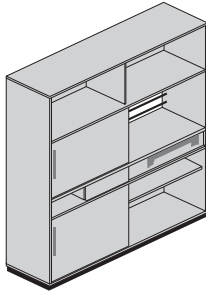
- A** Metal handle (SQart)
- C** Beech wood handle
- F** Oak wood handle (Levitate)
- G** White Beech wood handle
- H** Black Beech wood handle

- N** Without lock
- K** With lock
- R** Right option
- L** Left option (in the drawing)

														<b>h = 4.50H</b>
											MODEL H	width [mm]	depth [mm]	melamine + 1, metal: Aluminium (AL), White (BI), Black (CZ)
<b>W</b>	<b>N</b>	<b>K</b>	<b>S</b>	<b>J</b>	<b>H</b>	<b>6</b>	<b>4</b>	<b>C</b>	<b>N</b>	<b>N</b>		<b>R</b>	1600	445
<b>W</b>	<b>N</b>	<b>K</b>	<b>S</b>	<b>J</b>	<b>H</b>	<b>8</b>	<b>4</b>	<b>C</b>	<b>N</b>	<b>N</b>	<b>R</b>	1800	<b>1210</b>	



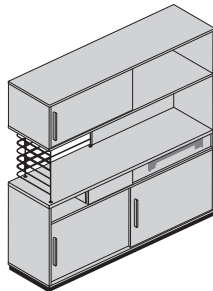
One-sided cabinets for integration with a desk/a workbench



- A** Metal handle (SQart)
- C** Beech wood handle
- F** Oak wood handle (Levitate)
- G** White Beech wood handle
- H** Black Beech wood handle

- R** Right option
- L** Left option (in the drawing)

											<b>h = 4.50H</b>						
											<b>MODEL I</b>	width [mm]	depth [mm]	melamine + 1, metal: Aluminium (AL), White (BI), Black (CZ)			
<b>W</b>	<b>N</b>	<b>K</b>	<b>S</b>	<b>J</b>	<b>I</b>	<b>6</b>	<b>4</b>	<b>C</b>	<b>N</b>	<b>N</b>				<b>R</b>	1600	445	935
<b>W</b>	<b>N</b>	<b>K</b>	<b>S</b>	<b>J</b>	<b>I</b>	<b>8</b>	<b>4</b>	<b>C</b>	<b>N</b>	<b>N</b>				<b>R</b>	1800		1035

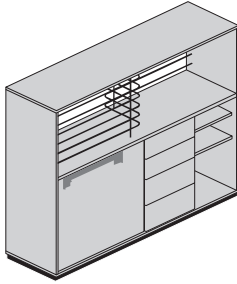


- A** Metal handle (SQart)
- C** Beech wood handle
- F** Oak wood handle (Levitate)
- G** White Beech wood handle
- H** Black Beech wood handle

- N** Without lock
- K** With lock
- R** Right option
- L** Left option (in the drawing)

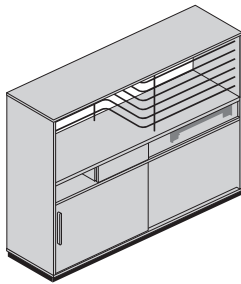
											<b>h = 4.50H</b>						
											<b>MODEL L</b>	width [mm]	depth [mm]	melamine + 1, metal: Aluminium (AL), White (BI), Black (CZ)			
<b>W</b>	<b>N</b>	<b>K</b>	<b>S</b>	<b>J</b>	<b>L</b>	<b>6</b>	<b>4</b>	<b>C</b>	<b>N</b>	<b>N</b>				<b>R</b>	1600	445	1110
<b>W</b>	<b>N</b>	<b>K</b>	<b>S</b>	<b>J</b>	<b>L</b>	<b>8</b>	<b>4</b>	<b>C</b>	<b>N</b>	<b>N</b>				<b>R</b>	1800		1210

## Double-sided cabinets for integration with two desks/workbenches



- N** Without lock
- K** With lock
- R** Right option (in the drawing)
- L** Left option

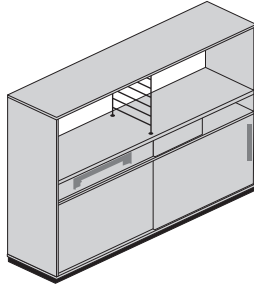
											<b>h = 3.50H</b>			
											MODEL A	width [mm]	depth [mm]	melamine + 1, metal: Aluminium (AL), White (BI), Black (CZ)
<b>W</b>	<b>N</b>	<b>K</b>	<b>S</b>	<b>D</b>	<b>A</b>	<b>6</b>	<b>3</b>	<b>N</b>	<b>N</b>	<b>N</b>				<b>R</b>
<b>W</b>	<b>N</b>	<b>K</b>	<b>S</b>	<b>D</b>	<b>A</b>	<b>8</b>	<b>3</b>	<b>N</b>	<b>N</b>	<b>N</b>	<b>R</b>	1800	1570	



- A** Metal handle (SQart)
- C** Beech wood handle
- F** Oak wood handle (Levitate)
- G** White Beech wood handle
- H** Black Beech wood handle
- N** Without lock
- K** With lock
- R** Right option
- L** Left option (in the drawing)

											<b>h = 3.50H</b>			
											MODEL C	width [mm]	depth [mm]	melamine + 1, metal: Aluminium (AL), White (BI), Black (CZ)
<b>W</b>	<b>N</b>	<b>K</b>	<b>S</b>	<b>D</b>	<b>C</b>	<b>6</b>	<b>3</b>	<b>C</b>	<b>N</b>	<b>N</b>				<b>R</b>
<b>W</b>	<b>N</b>	<b>K</b>	<b>S</b>	<b>D</b>	<b>C</b>	<b>8</b>	<b>3</b>	<b>C</b>	<b>N</b>	<b>N</b>	<b>R</b>	1800	1220	

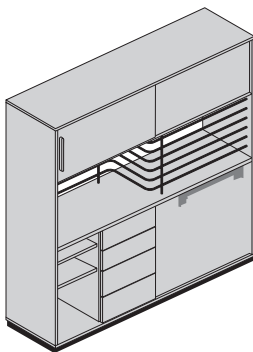
Double-sided cabinets for integration with two desks/workbenches



- A** Metal handle (SQart)
- C** Beech wood handle
- F** Oak wood handle (Levitare)
- G** White Beech wood handle
- H** Black Beech wood handle

- N** Without lock
- K** With lock
- R** Right option (in the drawing)
- L** Left option

													<b>h = 3.50H</b>	
										MODEL D	width [mm]	depth [mm]	melamine + 1, metal: Aluminium (AL), White (BI), Black (CZ)	
<b>W</b>	<b>N</b>	<b>K</b>	<b>S</b>	<b>D</b>	<b>D</b>	<b>6</b>	<b>3</b>	<b>C</b>	<b>N</b>	<b>N</b>	<b>R</b>	1600	445	1020
<b>W</b>	<b>N</b>	<b>K</b>	<b>S</b>	<b>D</b>	<b>D</b>	<b>8</b>	<b>3</b>	<b>C</b>	<b>N</b>	<b>N</b>	<b>R</b>	1800		1120



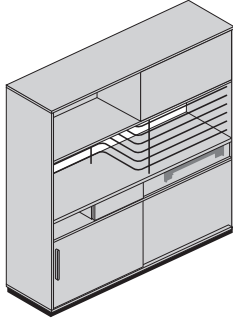
- A** Metal handle (SQart)
- C** Beech wood handle
- F** Oak wood handle (Levitare)
- G** White Beech wood handle
- H** Black Beech wood handle

- N** Without lock
- K** With lock
- R** Right option
- L** Left option (in the drawing)

													<b>h = 4.50H</b>	
										MODEL F	width [mm]	depth [mm]	melamine + 1, metal: Aluminium (AL), White (BI), Black (CZ)	
<b>W</b>	<b>N</b>	<b>K</b>	<b>S</b>	<b>D</b>	<b>F</b>	<b>6</b>	<b>4</b>	<b>C</b>	<b>N</b>	<b>N</b>	<b>R</b>	1600	445	1635
<b>W</b>	<b>N</b>	<b>K</b>	<b>S</b>	<b>D</b>	<b>F</b>	<b>8</b>	<b>4</b>	<b>C</b>	<b>N</b>	<b>N</b>	<b>R</b>	1800		1735

# Cabinets

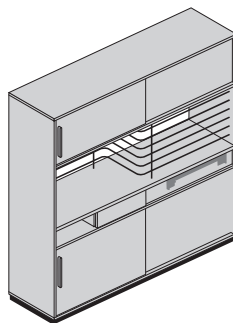
Double-sided cabinets for integration with two desks/workbenches



- A** Metal handle (SQart)
- C** Beech wood handle
- F** Oak wood handle (Levitate)
- G** White Beech wood handle
- H** Black Beech wood handle

- N** Without lock
- K** With lock
- R** Right option
- L** Left option (in the drawing)

														<b>h = 4.50H</b>			
											<b>MODEL I</b>	width [mm]	depth [mm]	melamine + 1, metal: Aluminium (AL), White (BI), Black (CZ)			
<b>W</b>	<b>N</b>	<b>K</b>	<b>S</b>	<b>D</b>	<b>I</b>	<b>6</b>	<b>4</b>	<b>C</b>	<b>N</b>	<b>N</b>				<b>R</b>	1600	445	<b>1195</b>
<b>W</b>	<b>N</b>	<b>K</b>	<b>S</b>	<b>D</b>	<b>I</b>	<b>8</b>	<b>4</b>	<b>C</b>	<b>N</b>	<b>N</b>				<b>R</b>	1800		<b>1295</b>

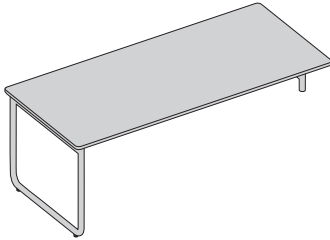


- A** Metal handle (SQart)
- C** Beech wood handle
- F** Oak wood handle (Levitate)
- G** White Beech wood handle
- H** Black Beech wood handle

- N** Without lock
- K** With lock
- R** Right option
- L** Left option (in the drawing)

														<b>h = 4.50H</b>			
											<b>MODEL J</b>	width [mm]	depth [mm]	melamine + 1, metal: Aluminium (AL), White (BI), Black (CZ)			
<b>W</b>	<b>N</b>	<b>K</b>	<b>S</b>	<b>D</b>	<b>J</b>	<b>6</b>	<b>4</b>	<b>C</b>	<b>N</b>	<b>N</b>				<b>R</b>	1600	445	<b>1415</b>
<b>W</b>	<b>N</b>	<b>K</b>	<b>S</b>	<b>D</b>	<b>J</b>	<b>8</b>	<b>4</b>	<b>C</b>	<b>N</b>	<b>N</b>				<b>R</b>	1800		<b>1515</b>

Desks with a U-shaped base for integration with a sideboard, height 740 mm



- N** Without hole for cable outlet
  - L** Left hole for cable outlet
  - R** Right hole for cable outlet
  - D** Left and right holes for cable outlets
- 
- R** Right option (in the drawing)
  - L** Left option

												width [mm]	depth [mm]	Melamine + 1	Laminate	Linoleum
														frame: Aluminium (AL), White (BI), Black (CZ)		
<b>W</b>	<b>N</b>	<b>K</b>	<b>B</b>	<b>B</b>	<b>4</b>	<b>9</b>	<b>N</b>	<b>N</b>	<b>6</b>	<b>N</b>	<b>R</b>	1820	920	310	390	660
<b>W</b>	<b>N</b>	<b>K</b>	<b>B</b>	<b>B</b>	<b>5</b>	<b>0</b>	<b>N</b>	<b>N</b>	<b>6</b>	<b>N</b>	<b>R</b>	2020		340	420	690
<b>W</b>	<b>N</b>	<b>K</b>	<b>B</b>	<b>B</b>	<b>5</b>	<b>1</b>	<b>N</b>	<b>N</b>	<b>6</b>	<b>N</b>	<b>R</b>	1820	1020	330	410	680
<b>W</b>	<b>N</b>	<b>K</b>	<b>B</b>	<b>B</b>	<b>5</b>	<b>2</b>	<b>N</b>	<b>N</b>	<b>6</b>	<b>N</b>	<b>R</b>	2020		360	440	710

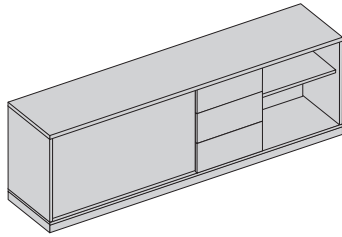
The cable outlet is on page 138

**L** 2 mm laser edge for selected decors, surcharge 25\*

\* Decors available with laser edge for melamines: BI White, NH Maple, MP Platinum, NJ Acacia.

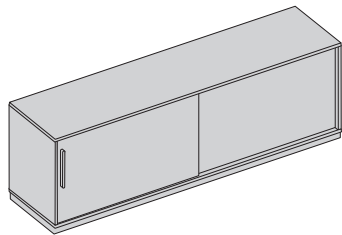
# Sideboards

## Sideboard for integration with a desk



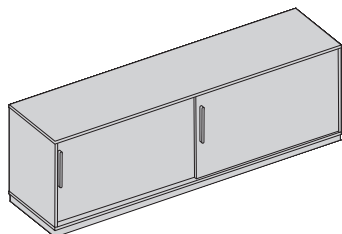
Right option in the drawing

<b>W</b>	<b>N</b>	<b>K</b>	<b>S</b>	<b>B</b>	<b>A</b>	<b>8</b>	<b>9</b>	<b>C</b>	<b>N</b>	<b>N</b>	<b>R</b>	MODEL A	width [mm]	for desk depth [mm]	<b>h = 595 mm</b>	
melamine + 1, metal: Aluminium (AL), White (BI), Black (CZ)																
<b>W</b>	<b>N</b>	<b>K</b>	<b>S</b>	<b>B</b>	<b>A</b>	<b>8</b>	<b>1</b>	<b>C</b>	<b>N</b>	<b>N</b>	<b>R</b>		1800	920	725	
<b>W</b>	<b>N</b>	<b>K</b>	<b>S</b>	<b>B</b>	<b>A</b>	<b>8</b>	<b>1</b>	<b>C</b>	<b>N</b>	<b>N</b>	<b>R</b>	1800	1020			



Left option in the drawing

<b>W</b>	<b>N</b>	<b>K</b>	<b>S</b>	<b>B</b>	<b>B</b>	<b>8</b>	<b>9</b>	<b>C</b>	<b>N</b>	<b>N</b>	<b>R</b>	MODEL B	width [mm]	for desk depth [mm]	<b>h = 595 mm</b>	
melamine + 1, metal: Aluminium (AL), White (BI), Black (CZ)																
<b>W</b>	<b>N</b>	<b>K</b>	<b>S</b>	<b>B</b>	<b>B</b>	<b>8</b>	<b>1</b>	<b>C</b>	<b>N</b>	<b>N</b>	<b>R</b>		1800	920	595	
<b>W</b>	<b>N</b>	<b>K</b>	<b>S</b>	<b>B</b>	<b>B</b>	<b>8</b>	<b>1</b>	<b>C</b>	<b>N</b>	<b>N</b>	<b>R</b>	1800	1020			



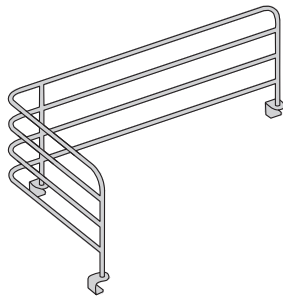
Left option in the drawing

<b>W</b>	<b>N</b>	<b>K</b>	<b>S</b>	<b>B</b>	<b>C</b>	<b>8</b>	<b>9</b>	<b>C</b>	<b>N</b>	<b>N</b>	<b>R</b>	MODEL C	width [mm]	for desk depth [mm]	<b>h = 595 mm</b>	
melamine + 1, metal: Aluminium (AL), White (BI), Black (CZ)																
<b>W</b>	<b>N</b>	<b>K</b>	<b>S</b>	<b>B</b>	<b>C</b>	<b>8</b>	<b>1</b>	<b>C</b>	<b>N</b>	<b>N</b>	<b>R</b>		1800	920	595	
<b>W</b>	<b>N</b>	<b>K</b>	<b>S</b>	<b>B</b>	<b>C</b>	<b>8</b>	<b>1</b>	<b>C</b>	<b>N</b>	<b>N</b>	<b>R</b>	1800	1020			

- A** Metal handle (SQart)
- C** Beech wood handle
- F** Oak wood handle (Levitate)
- G** White Beech wood handle
- H** Black Beech wood handle

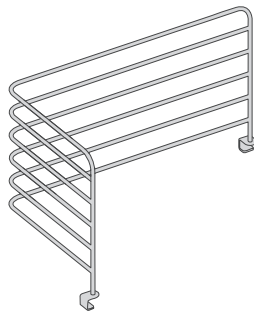
- N** Without lock
- K** With lock
- R** Right option
- L** Left option

Upper angular metal panels for desks and workbench workstations  
(on an H-shaped base) – low



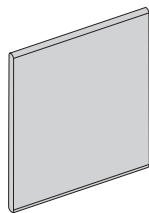
								<b>R</b>	Right option		
								<b>L</b>	Left option (in the drawing)		
										<b>width [mm]</b>	<b>h = 270 mm</b>
											Aluminium (AL), White (BI), Black (CZ)
<b>W</b>	<b>N</b>	<b>K</b>	<b>P</b>	<b>M</b>	<b>K</b>	<b>L</b>	<b>1</b>	<b>R</b>		720	105

Upper angular metal panels for desks and workbench workstations  
(on an H-shaped base) – high



								<b>R</b>	Right option		
								<b>L</b>	Left option (in the drawing)		
										<b>width [mm]</b>	<b>h = 400 mm</b>
											Aluminium (AL), White (BI), Black (CZ)
<b>W</b>	<b>N</b>	<b>K</b>	<b>P</b>	<b>M</b>	<b>K</b>	<b>H</b>	<b>2</b>	<b>R</b>		720	130
<b>W</b>	<b>N</b>	<b>K</b>	<b>P</b>	<b>M</b>	<b>K</b>	<b>H</b>	<b>3</b>	<b>R</b>		1120	140

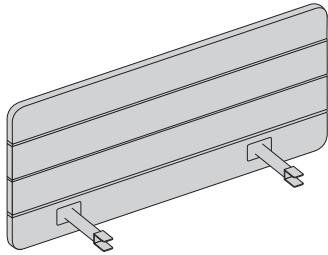
Upholstered pads for metal panels



											<b>Blazer/Synergy fabric</b>
										<b>width × height [mm]</b>	
<b>W</b>	<b>N</b>	<b>K</b>	<b>A</b>	<b>U</b>	<b>X</b>	<b>0</b>	<b>1</b>	<b>0</b>	<b>1</b>	300 × 210	28
<b>W</b>	<b>N</b>	<b>K</b>	<b>A</b>	<b>U</b>	<b>X</b>	<b>0</b>	<b>1</b>	<b>0</b>	<b>2</b>	300 × 275	31
<b>W</b>	<b>N</b>	<b>K</b>	<b>A</b>	<b>U</b>	<b>X</b>	<b>0</b>	<b>1</b>	<b>0</b>	<b>3</b>	300 × 340	34
<b>W</b>	<b>N</b>	<b>K</b>	<b>A</b>	<b>U</b>	<b>X</b>	<b>0</b>	<b>1</b>	<b>0</b>	<b>4</b>	520 × 210	39
<b>W</b>	<b>N</b>	<b>K</b>	<b>A</b>	<b>U</b>	<b>X</b>	<b>0</b>	<b>1</b>	<b>0</b>	<b>5</b>	520 × 275	46
<b>W</b>	<b>N</b>	<b>K</b>	<b>A</b>	<b>U</b>	<b>X</b>	<b>0</b>	<b>1</b>	<b>0</b>	<b>6</b>	520 × 340	53

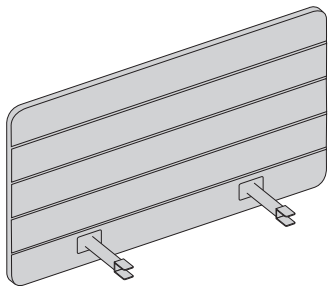
# Panels

## Upper upholstered panels for desks with a U-shaped base (low)



											<b>L</b>	With organiser strip, surcharge 35	
											<b>N</b>	Without organiser strip	
													<b>h = 530 mm, 400 mm above desktop</b>
											for desk width [mm]		Blazer/Synergy fabric
<b>W</b>	<b>N</b>	<b>K</b>	<b>P</b>	<b>G</b>	<b>T</b>	<b>L</b>	<b>1</b>	<b>2</b>	<b>1</b>	<b>2</b>	<b>N</b>	1200	230
<b>W</b>	<b>N</b>	<b>K</b>	<b>P</b>	<b>G</b>	<b>T</b>	<b>L</b>	<b>1</b>	<b>4</b>	<b>1</b>	<b>4</b>	<b>N</b>	1400	265
<b>W</b>	<b>N</b>	<b>K</b>	<b>P</b>	<b>G</b>	<b>T</b>	<b>L</b>	<b>1</b>	<b>6</b>	<b>1</b>	<b>6</b>	<b>N</b>	1600	300
<b>W</b>	<b>N</b>	<b>K</b>	<b>P</b>	<b>G</b>	<b>T</b>	<b>L</b>	<b>1</b>	<b>8</b>	<b>1</b>	<b>8</b>	<b>N</b>	1800	335
<b>W</b>	<b>N</b>	<b>K</b>	<b>P</b>	<b>G</b>	<b>T</b>	<b>L</b>	<b>2</b>	<b>0</b>	<b>2</b>	<b>0</b>	<b>N</b>	2000	370

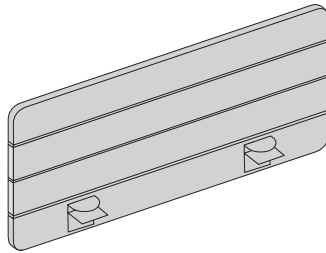
## Upper upholstered panels for desks with a U-shaped base (high)



											<b>L</b>	With organiser strip, surcharge 35	
											<b>N</b>	Without organiser strip	
													<b>h = 660 mm, 530 mm above desktop</b>
											for desk width [mm]		Blazer/Synergy fabric
<b>W</b>	<b>N</b>	<b>K</b>	<b>P</b>	<b>G</b>	<b>T</b>	<b>H</b>	<b>1</b>	<b>2</b>	<b>1</b>	<b>2</b>	<b>N</b>	1200	275
<b>W</b>	<b>N</b>	<b>K</b>	<b>P</b>	<b>G</b>	<b>T</b>	<b>H</b>	<b>1</b>	<b>4</b>	<b>1</b>	<b>4</b>	<b>N</b>	1400	320
<b>W</b>	<b>N</b>	<b>K</b>	<b>P</b>	<b>G</b>	<b>T</b>	<b>H</b>	<b>1</b>	<b>6</b>	<b>1</b>	<b>6</b>	<b>N</b>	1600	360
<b>W</b>	<b>N</b>	<b>K</b>	<b>P</b>	<b>G</b>	<b>T</b>	<b>H</b>	<b>1</b>	<b>8</b>	<b>1</b>	<b>8</b>	<b>N</b>	1800	400
<b>W</b>	<b>N</b>	<b>K</b>	<b>P</b>	<b>G</b>	<b>T</b>	<b>H</b>	<b>2</b>	<b>0</b>	<b>2</b>	<b>0</b>	<b>N</b>	2000	445

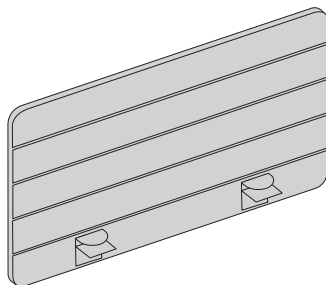


Upper upholstered panels for desks with a T-shaped base (low)



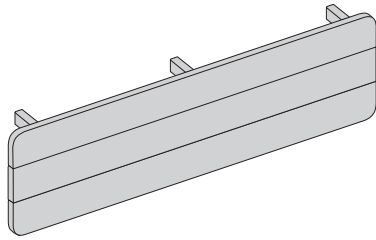
<b>L</b>	With organiser strip, surcharge 35												
<b>N</b>	Without organiser strip												
			<b>h = 530 mm 400 mm above desktop</b>										
		for desk width [mm]	Blazer/Synergy fabric										
<b>W</b>	<b>N</b>	<b>K</b>	<b>P</b>	<b>G</b>	<b>U</b>	<b>L</b>	<b>1</b>	<b>2</b>	<b>1</b>	<b>2</b>	<b>N</b>	1200	230
<b>W</b>	<b>N</b>	<b>K</b>	<b>P</b>	<b>G</b>	<b>U</b>	<b>L</b>	<b>1</b>	<b>4</b>	<b>1</b>	<b>4</b>	<b>N</b>	1400	265
<b>W</b>	<b>N</b>	<b>K</b>	<b>P</b>	<b>G</b>	<b>U</b>	<b>L</b>	<b>1</b>	<b>6</b>	<b>1</b>	<b>6</b>	<b>N</b>	1600	300
<b>W</b>	<b>N</b>	<b>K</b>	<b>P</b>	<b>G</b>	<b>U</b>	<b>L</b>	<b>1</b>	<b>8</b>	<b>1</b>	<b>8</b>	<b>N</b>	1800	335
<b>W</b>	<b>N</b>	<b>K</b>	<b>P</b>	<b>G</b>	<b>U</b>	<b>L</b>	<b>2</b>	<b>0</b>	<b>2</b>	<b>0</b>	<b>N</b>	2000	370

Upper upholstered panels for desks with a T-shaped base (high)



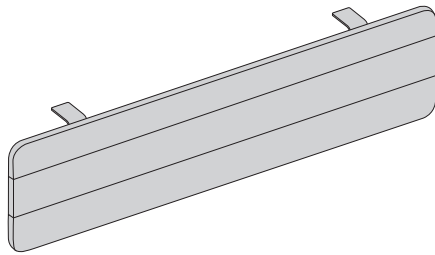
<b>L</b>	With organiser strip, surcharge 35												
<b>N</b>	Without organiser strip												
			<b>h = 660 mm, 530 mm above desktop</b>										
		for desk width [mm]	Blazer/Synergy fabric										
<b>W</b>	<b>N</b>	<b>K</b>	<b>P</b>	<b>G</b>	<b>U</b>	<b>H</b>	<b>1</b>	<b>2</b>	<b>1</b>	<b>2</b>	<b>N</b>	1200	275
<b>W</b>	<b>N</b>	<b>K</b>	<b>P</b>	<b>G</b>	<b>U</b>	<b>H</b>	<b>1</b>	<b>4</b>	<b>1</b>	<b>4</b>	<b>N</b>	1400	320
<b>W</b>	<b>N</b>	<b>K</b>	<b>P</b>	<b>G</b>	<b>U</b>	<b>H</b>	<b>1</b>	<b>6</b>	<b>1</b>	<b>6</b>	<b>N</b>	1600	360
<b>W</b>	<b>N</b>	<b>K</b>	<b>P</b>	<b>G</b>	<b>U</b>	<b>H</b>	<b>1</b>	<b>8</b>	<b>1</b>	<b>8</b>	<b>N</b>	1800	400
<b>W</b>	<b>N</b>	<b>K</b>	<b>P</b>	<b>G</b>	<b>U</b>	<b>H</b>	<b>2</b>	<b>0</b>	<b>2</b>	<b>0</b>	<b>N</b>	2000	445

## Bottom upholstered panels for desks with a U-shaped base



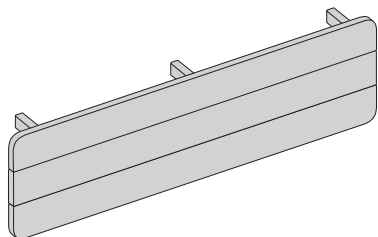
												h = 370 mm	
												for desk width [mm]	Blazer/Synergy fabric
W	N	K	P	D	T	N	1	0	1	2	N	1200	160
W	N	K	P	D	T	N	1	2	1	4	N	1400	180
W	N	K	P	D	T	N	1	4	1	6	N	1600	200
W	N	K	P	D	T	N	1	6	1	8	N	1800	220
W	N	K	P	D	T	N	1	8	2	0	N	2000	240

## Bottom upholstered panels for desks with a T-shaped base



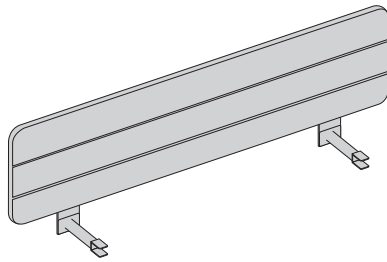
												h = 370 mm	
												for desk width [mm]	Blazer/Synergy fabric
W	N	K	P	D	U	N	1	4	1	4	N	1400	180
W	N	K	P	D	U	N	1	6	1	6	N	1600	200
W	N	K	P	D	U	N	1	8	1	8	N	1800	220
W	N	K	P	D	U	N	2	0	2	0	N	2000	240

## Bottom upholstered panels for desks with a sideboard



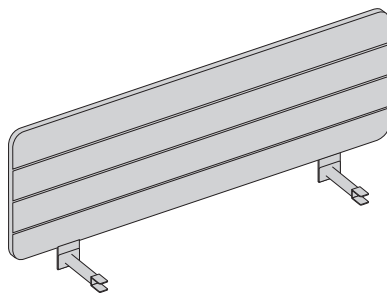
												h = 370 mm	
												for desk width [mm]	Blazer/Synergy fabric
W	N	K	P	D	S	N	1	2	1	8	N	1820	180
W	N	K	P	D	S	N	1	4	2	0	N	2020	200

Upper upholstered panels for workbench workstations on a U-shaped base (low)



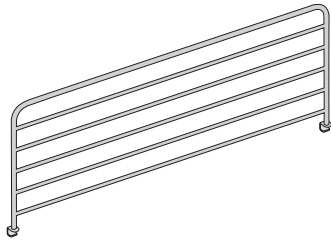
												<b>L</b>	With organiser strip, surcharge 35		
												<b>N</b>	Without organiser strip		
														<b>h = 400 mm</b>	
												panel width [mm]	for workbench width [mm]	Blazer/Synergy fabric	
<b>W</b>	<b>N</b>	<b>K</b>	<b>P</b>	<b>G</b>	<b>W</b>	<b>L</b>	<b>0</b>	<b>8</b>	<b>1</b>	<b>2</b>	<b>N</b>	800	1200	170	
<b>W</b>	<b>N</b>	<b>K</b>	<b>P</b>	<b>G</b>	<b>W</b>	<b>L</b>	<b>1</b>	<b>0</b>	<b>1</b>	<b>4</b>	<b>N</b>	1000	1400	200	
<b>W</b>	<b>N</b>	<b>K</b>	<b>P</b>	<b>G</b>	<b>W</b>	<b>L</b>	<b>1</b>	<b>0</b>	<b>1</b>	<b>6</b>	<b>N</b>	1000	1600	200	
<b>W</b>	<b>N</b>	<b>K</b>	<b>P</b>	<b>G</b>	<b>W</b>	<b>L</b>	<b>1</b>	<b>2</b>	<b>1</b>	<b>2</b>	<b>N</b>	1200	1200	225	
<b>W</b>	<b>N</b>	<b>K</b>	<b>P</b>	<b>G</b>	<b>W</b>	<b>L</b>	<b>1</b>	<b>2</b>	<b>1</b>	<b>6</b>	<b>N</b>	1200	1600	225	
<b>W</b>	<b>N</b>	<b>K</b>	<b>P</b>	<b>G</b>	<b>W</b>	<b>L</b>	<b>1</b>	<b>2</b>	<b>1</b>	<b>8</b>	<b>N</b>	1200	1800	225	
<b>W</b>	<b>N</b>	<b>K</b>	<b>P</b>	<b>G</b>	<b>W</b>	<b>L</b>	<b>1</b>	<b>4</b>	<b>1</b>	<b>4</b>	<b>N</b>	1400	1400	260	
<b>W</b>	<b>N</b>	<b>K</b>	<b>P</b>	<b>G</b>	<b>W</b>	<b>L</b>	<b>1</b>	<b>4</b>	<b>1</b>	<b>8</b>	<b>N</b>	1400	1800	260	
<b>W</b>	<b>N</b>	<b>K</b>	<b>P</b>	<b>G</b>	<b>W</b>	<b>L</b>	<b>1</b>	<b>6</b>	<b>1</b>	<b>6</b>	<b>N</b>	1600	1600	295	
<b>W</b>	<b>N</b>	<b>K</b>	<b>P</b>	<b>G</b>	<b>W</b>	<b>L</b>	<b>1</b>	<b>8</b>	<b>1</b>	<b>8</b>	<b>N</b>	1800	1800	330	

Upper upholstered panels for workbench workstations on a U-shaped base (high)



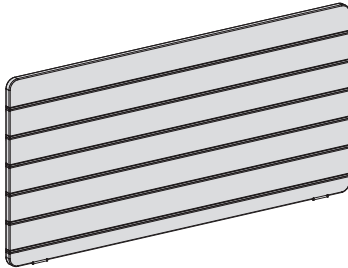
												<b>L</b>	With organiser strip, surcharge 35		
												<b>N</b>	Without organiser strip		
														<b>h = 530 mm</b>	
												panel width [mm]	for workbench width [mm]	Blazer/Synergy fabric	
<b>W</b>	<b>N</b>	<b>K</b>	<b>P</b>	<b>G</b>	<b>W</b>	<b>H</b>	<b>0</b>	<b>8</b>	<b>1</b>	<b>2</b>	<b>N</b>	800	1200	205	
<b>W</b>	<b>N</b>	<b>K</b>	<b>P</b>	<b>G</b>	<b>W</b>	<b>H</b>	<b>1</b>	<b>0</b>	<b>1</b>	<b>4</b>	<b>N</b>	1000	1400	240	
<b>W</b>	<b>N</b>	<b>K</b>	<b>P</b>	<b>G</b>	<b>W</b>	<b>H</b>	<b>1</b>	<b>0</b>	<b>1</b>	<b>6</b>	<b>N</b>	1000	1600	240	
<b>W</b>	<b>N</b>	<b>K</b>	<b>P</b>	<b>G</b>	<b>W</b>	<b>H</b>	<b>1</b>	<b>2</b>	<b>1</b>	<b>2</b>	<b>N</b>	1200	1200	270	
<b>W</b>	<b>N</b>	<b>K</b>	<b>P</b>	<b>G</b>	<b>W</b>	<b>H</b>	<b>1</b>	<b>2</b>	<b>1</b>	<b>6</b>	<b>N</b>	1200	1600	270	
<b>W</b>	<b>N</b>	<b>K</b>	<b>P</b>	<b>G</b>	<b>W</b>	<b>H</b>	<b>1</b>	<b>2</b>	<b>1</b>	<b>8</b>	<b>N</b>	1200	1800	270	
<b>W</b>	<b>N</b>	<b>K</b>	<b>P</b>	<b>G</b>	<b>W</b>	<b>H</b>	<b>1</b>	<b>4</b>	<b>1</b>	<b>4</b>	<b>N</b>	1400	1400	310	
<b>W</b>	<b>N</b>	<b>K</b>	<b>P</b>	<b>G</b>	<b>W</b>	<b>H</b>	<b>1</b>	<b>4</b>	<b>1</b>	<b>8</b>	<b>N</b>	1400	1800	310	
<b>W</b>	<b>N</b>	<b>K</b>	<b>P</b>	<b>G</b>	<b>W</b>	<b>H</b>	<b>1</b>	<b>6</b>	<b>1</b>	<b>6</b>	<b>N</b>	1600	1600	355	
<b>W</b>	<b>N</b>	<b>K</b>	<b>P</b>	<b>G</b>	<b>W</b>	<b>H</b>	<b>1</b>	<b>8</b>	<b>1</b>	<b>8</b>	<b>N</b>	1800	1800	395	

Upper straight metal panels for workbench workstations on a U-shaped base



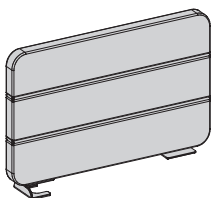
										<b>h = 400 mm</b>	
										width [mm]	Aluminium (AL), White (BI), Black (CZ)
<b>W</b>	<b>N</b>	<b>K</b>	<b>P</b>	<b>M</b>	<b>P</b>	<b>H</b>	<b>1</b>	<b>N</b>	1000	75	

Upper upholstered panels for workbench workstations on an H-shaped base (high)



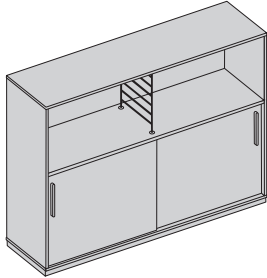
												<b>h = 870 mm</b>	
												for workbench width [mm]	Blazer/Synergy fabric
<b>W</b>	<b>N</b>	<b>K</b>	<b>P</b>	<b>G</b>	<b>H</b>	<b>H</b>	<b>1</b>	<b>4</b>	<b>1</b>	<b>4</b>	<b>N</b>	1400	380
<b>W</b>	<b>N</b>	<b>K</b>	<b>P</b>	<b>G</b>	<b>H</b>	<b>H</b>	<b>1</b>	<b>6</b>	<b>1</b>	<b>6</b>	<b>N</b>	1600	410
<b>W</b>	<b>N</b>	<b>K</b>	<b>P</b>	<b>G</b>	<b>H</b>	<b>H</b>	<b>1</b>	<b>8</b>	<b>1</b>	<b>8</b>	<b>N</b>	1800	440
<b>W</b>	<b>N</b>	<b>K</b>	<b>P</b>	<b>G</b>	<b>H</b>	<b>H</b>	<b>2</b>	<b>0</b>	<b>2</b>	<b>0</b>	<b>N</b>	2000	470

Upper upholstered side panels for desks and workbench workstations



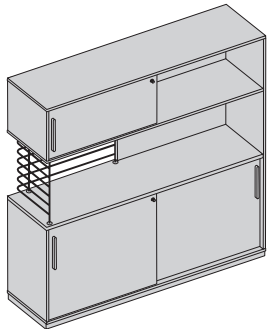
										<b>h = 400 mm</b>		
										for tops width [mm]	panel width [mm]	Blazer/Synergy fabric
<b>W</b>	<b>N</b>	<b>K</b>	<b>P</b>	<b>G</b>	<b>B</b>	<b>L</b>	<b>7</b>	<b>N</b>	700	680	145	
<b>W</b>	<b>N</b>	<b>K</b>	<b>P</b>	<b>G</b>	<b>B</b>	<b>L</b>	<b>8</b>	<b>N</b>	800	780	150	

One-sided freestanding cabinets



- A** Metal handle (SQart)
- C** Beech wood handle
- F** Oak wood handle (Levitate)
- G** White Beech wood handle
- H** Black Beech wood handle

														<b>h = 3.50H</b>	
											<b>MODEL D</b>	width [mm]	depth [mm]	melamine + 1, metal: Aluminium (AL), White (BI), Black (CZ)	
<b>W</b>	<b>N</b>	<b>K</b>	<b>S</b>	<b>X</b>	<b>D</b>	<b>6</b>	<b>3</b>	<b>C</b>	<b>N</b>	<b>N</b>		<b>N</b>	1600	445	770

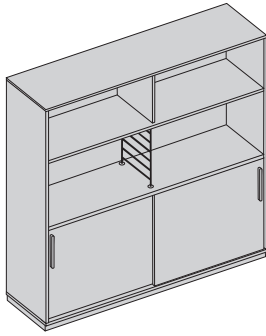


- A** Metal handle (SQart)
  - C** Beech wood handle
  - F** Oak wood handle (Levitate)
  - G** White Beech wood handle
  - H** Black Beech wood handle
- R** Right option
  - L** Left option (in the drawing)

														<b>h = 4.50H</b>	
											<b>MODEL L</b>	width [mm]	depth [mm]	melamine + 1, metal: Aluminium (AL), White (BI), Black (CZ)	
<b>W</b>	<b>N</b>	<b>K</b>	<b>S</b>	<b>X</b>	<b>L</b>	<b>6</b>	<b>4</b>	<b>C</b>	<b>N</b>	<b>N</b>		<b>R</b>	1600	445	900

# Cabinets

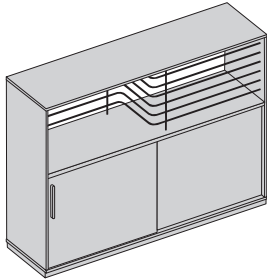
## One-sided freestanding cabinets



- A** Metal handle (SQart)
- C** Beech wood handle
- F** Oak wood handle (Levitate)
- G** White Beech wood handle
- H** Black Beech wood handle

<b>W</b>	<b>N</b>	<b>K</b>	<b>S</b>	<b>X</b>	<b>M</b>	<b>6</b>	<b>4</b>	<b>C</b>	<b>N</b>	<b>N</b>	<b>N</b>	MODEL M	width [mm]	depth [mm]	<b>h = 4.5 OH</b>
														1600	445

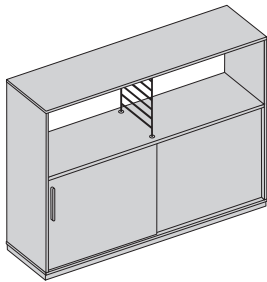
Double-sided freestanding cabinets



- A** Metal handle (SQart)
- C** Beech wood handle
- F** Oak wood handle (Levitate)
- G** White Beech wood handle
- H** Black Beech wood handle

- R** Right option
- L** Left option (in the drawing)

														<b>h = 3.50H</b>
											MODEL C	width [mm]	depth [mm]	melamine + 1, metal: Aluminium (AL), White (BI), Black (CZ)
W	N	K	S	Y	C	6	3	C	N	N	R	1600	445	740



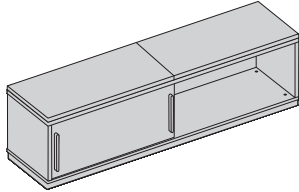
- A** Metal handle (SQart)
- C** Beech wood handle
- F** Oak wood handle (Levitate)
- G** White Beech wood handle
- H** Black Beech wood handle

- R** Right option
- L** Left option (in the drawing)

														<b>h = 3.50H</b>
											MODEL D	width [mm]	depth [mm]	melamine + 1, metal: Aluminium (AL), White (BI), Black (CZ)
W	N	K	S	Y	D	6	3	C	N	N	R	1600	445	670

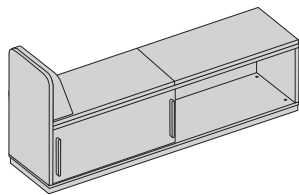
# Low cabinets

## Low cabinets with an upholstered pad



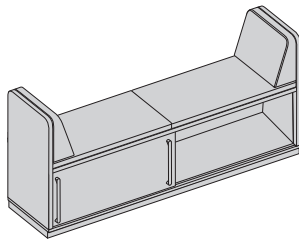
- A** Metal handle (SQart)
- C** Beech wood handle
- F** Oak wood handle (Levitate)
- G** White Beech wood handle
- H** Black Beech wood handle

											<b>h = 470 mm</b>				
											one-sided cabinet, 1 × sliding door + open cabinet	width [mm]	depth [mm]	melamine + 1, metal: Aluminium (AL), White (BI), Black (CZ), Blazer/Synergy fabric	
<b>W</b>	<b>N</b>	<b>K</b>	<b>S</b>	<b>L</b>	<b>J</b>	<b>A</b>	<b>6</b>	<b>1</b>	<b>0</b>	<b>C</b>	<b>N</b>	<b>N</b>	1600	400	475



- R** Right option
- L** Left option (in the drawing)

											one-sided cabinet, one-sided backrest, 1 × sliding door + open cabinet	width [mm]	depth [mm]	melamine + 1, metal: Aluminium (AL), White (BI), Black (CZ), Blazer/Synergy fabric	
<b>W</b>	<b>N</b>	<b>K</b>	<b>S</b>	<b>L</b>	<b>J</b>	<b>A</b>	<b>6</b>	<b>1</b>	<b>1</b>	<b>C</b>	<b>N</b>	<b>L</b>	1600	400	540

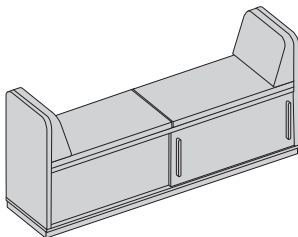
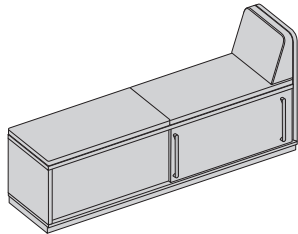
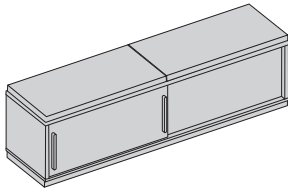


											one-sided cabinet, double-sided backrest, 1 × sliding door + open cabinet	width [mm]	depth [mm]	melamine + 1, metal: Aluminium (AL), White (BI), Black (CZ), Blazer/Synergy fabric	
<b>W</b>	<b>N</b>	<b>K</b>	<b>S</b>	<b>L</b>	<b>J</b>	<b>A</b>	<b>6</b>	<b>1</b>	<b>2</b>	<b>C</b>	<b>N</b>	<b>N</b>	1600	400	620



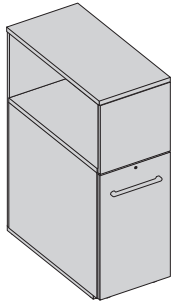
Low cabinets with an upholstered pad

													<b>A</b>	Metal handle (SQart)				
													<b>C</b>	Beech wood handle				
													<b>F</b>	Oak wood handle (Levitata)				
													<b>G</b>	White Beech wood handle				
													<b>H</b>	Black Beech wood handle				
													<b>R</b>	Right option				
													<b>L</b>	Left option (in the drawing)				
																<b>h = 470 mm</b>		
																<b>double-sided cabinet, 1 × sliding door</b>		
																<b>width [mm]</b>		
																<b>depth [mm]</b>		
																melamine + 1, metal: Aluminium (AL), White (BI), Black (CZ), Blazer/Synergy fabric		
<b>W</b>	<b>N</b>	<b>K</b>	<b>S</b>	<b>L</b>	<b>D</b>	<b>B</b>	<b>6</b>	<b>1</b>	<b>0</b>	<b>C</b>	<b>N</b>	<b>L</b>	1600	400	<b>640</b>			
																<b>double-sided cabinet, one-sided backrest, 1 × sliding door</b>		
																<b>width [mm]</b>		
																<b>depth [mm]</b>		
																melamine + 1, metal: Aluminium (AL), White (BI), Black (CZ), Blazer/Synergy fabric		
<b>W</b>	<b>N</b>	<b>K</b>	<b>S</b>	<b>L</b>	<b>D</b>	<b>B</b>	<b>6</b>	<b>1</b>	<b>1</b>	<b>C</b>	<b>N</b>	<b>L</b>	1600	400	<b>710</b>			
																<b>double-sided cabinet, double-sided backrest, 1 × sliding door</b>		
																<b>width [mm]</b>		
																<b>depth [mm]</b>		
																melamine + 1, metal: Aluminium (AL), White (BI), Black (CZ), Blazer/Synergy fabric		
<b>W</b>	<b>N</b>	<b>K</b>	<b>S</b>	<b>L</b>	<b>D</b>	<b>B</b>	<b>6</b>	<b>1</b>	<b>2</b>	<b>C</b>	<b>N</b>	<b>L</b>	1600	400	<b>775</b>			



# Big Orga Tower

## Big Orga Tower with a melamine faced chipboard back

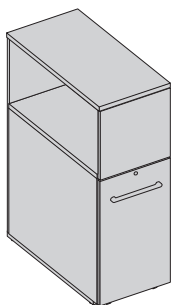


- A** Metal handle (SQart)
- C** Beech wood handle
- F** Oak wood handle (Levitata)
- G** White Beech wood handle
- H** Black Beech wood handle

- N** Without lock
- K** With lock
- R** Right option (in the drawing)
- L** Left option

											<b>h = 1117 mm</b>			
											low drawer + open cabinet	width × depth [mm]	height	melamine + 1, metal: Aluminium (AL), White (BI), Black (CZ)
<b>W</b>	<b>N</b>	<b>K</b>	<b>O</b>	<b>T</b>	<b>C</b>	<b>4</b>	<b>3</b>	<b>8</b>	<b>C</b>	<b>N</b>				<b>R</b>

## Big Orga Tower with a metal panel

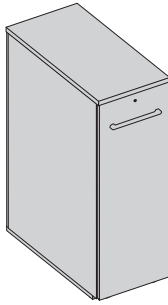


- A** Metal handle (SQart)
- C** Beech wood handle
- F** Oak wood handle (Levitata)
- G** White Beech wood handle
- H** Black Beech wood handle

- N** Without lock
- K** With lock
- R** Right option (in the drawing)
- L** Left option

											<b>h = 1117 mm</b>			
											low drawer + open cabinet with a metal panel	width × depth [mm]	height	melamine + 1, metal: Aluminium (AL), White (BI), Black (CZ)
<b>W</b>	<b>N</b>	<b>K</b>	<b>O</b>	<b>T</b>	<b>B</b>	<b>4</b>	<b>3</b>	<b>8</b>	<b>C</b>	<b>N</b>				<b>R</b>

## Big Orga Tower with high drawer

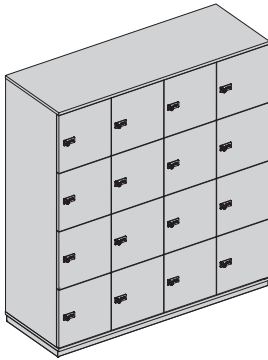
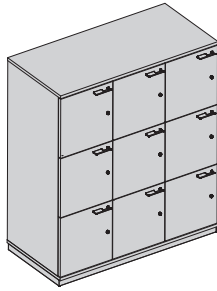


- A** Metal handle (SQart)
- C** Beech wood handle
- F** Oak wood handle (Levitate)
- G** White Beech wood handle
- H** Black Beech wood handle
- N** Without lock
- K** With lock
- R** Right option (in the drawing)
- L** Left option
- N** Without USB charger
- S** 2 × USB charger with middle cable outlet, surcharge 130
- B** 2 × USB charger with bottom cable outlet, surcharge 130

<b>W</b>	<b>N</b>	<b>K</b>	<b>O</b>	<b>T</b>	<b>D</b>	<b>5</b>	<b>4</b>	<b>8</b>	<b>C</b>	<b>N</b>	<b>R</b>	<b>N</b>	high drawer + 2 × pencil plastic case	width × depth [mm]	height	<b>h = 1212mm</b>
																melamine + 1, metal: Aluminium (AL), White (BI), Black (CZ)
														445 × 800	3.50H	640
				<b>T</b>	Freestanding											
				<b>J</b>	To be joined with desk											



Lockers cabinet - units with melamine fronts, without correspondence slots



- N** Doors in one color
- A\*** Door color scheme A (3 colors)
- B\*** Door color scheme B (3 colors)
- C\*** Door color scheme C (3 colors)
- D\*** Door color scheme D (2 colors)
- E\*** Door color scheme E (2 colors)
- F\*** Door color scheme F (2 colors)
- G\*** Door color scheme G (2 colors)
- H\*** Door color scheme H (2 colors)

- R** Right option
- L** Left option

											width [mm]	depth [mm]	height	melamine + 1, metal: Aluminium (AL), White (BI), Black (CZ)		
<b>W</b>	<b>N</b>	<b>K</b>	<b>S</b>	<b>K</b>	<b>N</b>	<b>2</b>	<b>3</b>	<b>N</b>	<b>N</b>	<b>K</b>	<b>L</b>	9 units	1200	445	3.50H	1400
<b>W</b>	<b>N</b>	<b>K</b>	<b>S</b>	<b>K</b>	<b>N</b>	<b>6</b>	<b>3</b>	<b>N</b>	<b>N</b>	<b>K</b>	<b>L</b>	12 units	1600			1600
<b>W</b>	<b>N</b>	<b>K</b>	<b>S</b>	<b>K</b>	<b>N</b>	<b>2</b>	<b>4</b>	<b>N</b>	<b>N</b>	<b>K</b>	<b>L</b>	12 units	1200	445	4.50H	1600
<b>W</b>	<b>N</b>	<b>K</b>	<b>S</b>	<b>K</b>	<b>N</b>	<b>6</b>	<b>4</b>	<b>N</b>	<b>N</b>	<b>K</b>	<b>L</b>	16 units	1600			1800

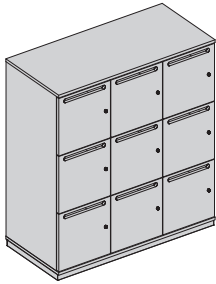
- Without handle **N**
  - Metal handle (SQart)\*\* **A**
  - Beech wood handle\*\* **C**
  - Oak wood handle (Levitate)\*\* **F**
  - White Beech wood handle\*\* **G**
  - Black Beech wood handle\*\* **H**
- K** Cylinder lock
  - S** Combination lock - upcharge 30 per unit

\*Please see color scheme on pages 81-82.

\*\*Handle available for units with cylinder lock only.

# Lockers

Lockers cabinet - units with melamine fronts, with correspondence slots



- N** Doors in one color
- A\*** Door color scheme A (3 colors)
- B\*** Door color scheme B (3 colors)
- C\*** Door color scheme C (3 colors)
- D\*** Door color scheme D (2 colors)
- E\*** Door color scheme E (2 colors)
- F\*** Door color scheme F (2 colors)
- G\*** Door color scheme G (2 colors)
- H\*** Door color scheme H (2 colors)

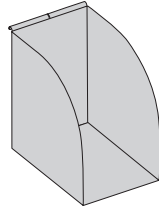
- R** Right option
- L** Left option

												width [mm]	depth [mm]	height	melamine + 1, metal: Aluminium (AL), White (BI), Black (CZ)	
<b>W</b>	<b>N</b>	<b>K</b>	<b>S</b>	<b>K</b>	<b>P</b>	<b>2</b>	<b>3</b>	<b>N</b>	<b>N</b>	<b>K</b>	<b>L</b>	9 units	1200	445	3.50H	1400
<b>W</b>	<b>N</b>	<b>K</b>	<b>S</b>	<b>K</b>	<b>P</b>	<b>6</b>	<b>3</b>	<b>N</b>	<b>N</b>	<b>K</b>	<b>L</b>	12 units	1600			1600
<b>W</b>	<b>N</b>	<b>K</b>	<b>S</b>	<b>K</b>	<b>P</b>	<b>2</b>	<b>4</b>	<b>N</b>	<b>N</b>	<b>K</b>	<b>L</b>	12 units	1200	445	4.50H	1600
<b>W</b>	<b>N</b>	<b>K</b>	<b>S</b>	<b>K</b>	<b>P</b>	<b>6</b>	<b>4</b>	<b>N</b>	<b>N</b>	<b>K</b>	<b>L</b>	16 units	1600			1800

- K** Cylinder lock
- S** Combination lock - upcharge 30 per unit

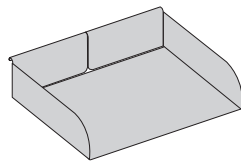
\* Please see color scheme on pages 81-82.

Binder box



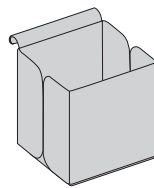
										width × depth [mm]	height [mm]	<b>Metal</b>
												Atlantic (AT), White (BI), Saffron (NF), Cashmere (NK)
<b>W</b>	<b>N</b>	<b>K</b>	<b>A</b>	<b>U</b>	<b>X</b>	<b>0</b>	<b>3</b>	<b>0</b>	<b>1</b>	180×260	270	<b>53</b>

Horizontal shelf (A4)



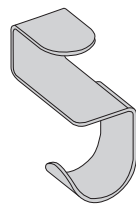
										width × depth [mm]	height [mm]	<b>Metal</b>
												Atlantic (AT), White (BI), Saffron (NF), Cashmere (NK)
<b>W</b>	<b>N</b>	<b>K</b>	<b>A</b>	<b>U</b>	<b>X</b>	<b>0</b>	<b>3</b>	<b>0</b>	<b>2</b>	330×260	75	<b>45</b>

Pencil box



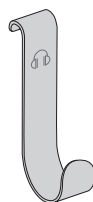
										width × depth [mm]	height [mm]	<b>Metal</b>
												Atlantic (AT), White (BI), Saffron (NF), Cashmere (NK)
<b>W</b>	<b>N</b>	<b>K</b>	<b>A</b>	<b>U</b>	<b>X</b>	<b>0</b>	<b>3</b>	<b>0</b>	<b>6</b>	70×65	75	<b>23</b>

Bag holder



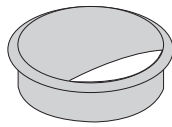
												<b>Metal</b>
												Atlantic (AT), White (BI), Saffron (NF), Cashmere (NK)
<b>W</b>	<b>N</b>	<b>K</b>	<b>A</b>	<b>U</b>	<b>X</b>	<b>0</b>	<b>3</b>	<b>0</b>	<b>7</b>			<b>22</b>

Headphones holder



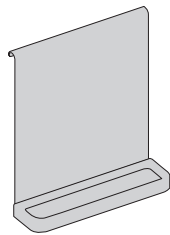
												<b>Metal</b>
												Atlantic (AT), White (BI), Saffron (NF), Cashmere (NK)
<b>W</b>	<b>N</b>	<b>K</b>	<b>A</b>	<b>U</b>	<b>X</b>	<b>0</b>	<b>3</b>	<b>1</b>	<b>1</b>			<b>15</b>

## Cable outlet



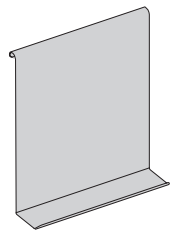
												<b>Metal</b>
												Aluminium (AL), White (BI), Black (CZ)
<b>W</b>	<b>N</b>	<b>K</b>	<b>A</b>	<b>U</b>	<b>X</b>	<b>0</b>	<b>4</b>	<b>0</b>	<b>1</b>			<b>10</b>

## Magnetic board with a wooden pencil tray



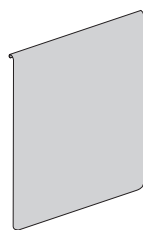
												<b>Metal + Wood</b>
										width × depth [mm]	height [mm]	Atlantic (AT), White (BI), Saffron (NF), Cashmere (NK) + Beech (1.007)
<b>W</b>	<b>N</b>	<b>K</b>	<b>A</b>	<b>U</b>	<b>X</b>	<b>0</b>	<b>3</b>	<b>0</b>	<b>3</b>	170×45	200	<b>35</b>

## Magnetic board with a pencil tray



												<b>Metal</b>
										width × depth [mm]	height [mm]	Atlantic (AT), White (BI), Saffron (NF), Cashmere (NK)
<b>W</b>	<b>N</b>	<b>K</b>	<b>A</b>	<b>U</b>	<b>X</b>	<b>0</b>	<b>3</b>	<b>0</b>	<b>4</b>	170×45	200	<b>22</b>

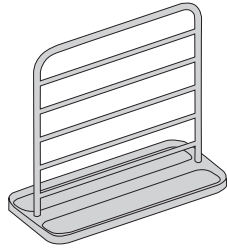
## Magnetic board



												<b>Metal</b>
										width × depth [mm]	height [mm]	Atlantic (AT), White (BI), Saffron (NF), Cashmere (NK)
<b>W</b>	<b>N</b>	<b>K</b>	<b>A</b>	<b>U</b>	<b>X</b>	<b>0</b>	<b>3</b>	<b>0</b>	<b>5</b>	250	330	<b>25</b>

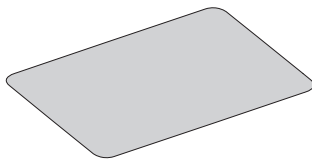


Freestanding metal organiser



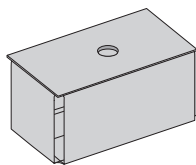
												<b>Metal + Wood</b>
										width × height [mm]	Atlantic (AT), White (BI), Saffron (NF), Cashmere (NK)	
<b>W</b>	<b>N</b>	<b>K</b>	<b>A</b>	<b>U</b>	<b>X</b>	<b>0</b>	<b>2</b>	<b>0</b>	<b>1</b>			
<b>W</b>	<b>N</b>	<b>K</b>	<b>A</b>	<b>U</b>	<b>X</b>	<b>0</b>	<b>2</b>	<b>0</b>	<b>2</b>	530 × 400	95	

Leather insert



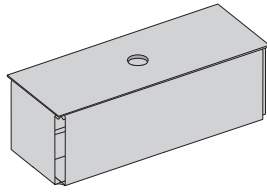
							<b>Leather</b>
					width × depth [mm]	SD01	
<b>W</b>	<b>G</b>	<b>1</b>	<b>5</b>	<b>1</b>			

Media box mini



												<b>Metal + Wood</b>	
										width × depth [mm]	height [mm]	Atlantic (AT), White (BI), Saffron (NF), Cashmere (NK) + Beech (1.007)	
<b>W</b>	<b>N</b>	<b>K</b>	<b>A</b>	<b>U</b>	<b>X</b>	<b>0</b>	<b>3</b>	<b>0</b>	<b>9</b>				

## Media box



												Metal + Wood
										width × depth [mm]	height [mm]	Atlantic (AT), White (BI), Saffron (NF), Cashmere (NK) + Beech (1.007)
W	N	K	A	U	X	0	3	1	0	370 × 140	127	45

## Horizontal wire trunking (2 pcs)

									Metal	
									for desk width [mm]	Black (CZ)
W	N	K	K	K	0	1	1200	30		
W	N	K	K	K	0	2	1400	32		
W	N	K	K	K	0	3	1600	34		
W	N	K	K	K	0	4	1800/2000	36		

## Horizontal wire trunking for desks/workbenches with a U-shaped base

									Blazer/Synergy fabric	
									for desk width [mm]	
W	N	K	K	K	0	5	1200	80		
W	N	K	K	K	0	6	1400	85		
W	N	K	K	K	0	7	1600	90		
W	N	K	K	K	0	8	1800	94		
W	N	K	K	K	0	9	2000	96		

Horizontal wire trunking for desks on a T-shaped base/workbench workstations on an H-shaped base

								for desk width [mm]	Blazer/Synergy fabric
<b>W</b>	<b>N</b>	<b>K</b>	<b>K</b>	<b>K</b>	<b>0</b>	<b>6</b>	<b>X</b>	1400	85
<b>W</b>	<b>N</b>	<b>K</b>	<b>K</b>	<b>K</b>	<b>0</b>	<b>7</b>	<b>X</b>	1600	90
<b>W</b>	<b>N</b>	<b>K</b>	<b>K</b>	<b>K</b>	<b>0</b>	<b>8</b>	<b>X</b>	1800	94
<b>W</b>	<b>N</b>	<b>K</b>	<b>K</b>	<b>K</b>	<b>0</b>	<b>9</b>	<b>X</b>	2000	96

Vertical wire trunking for desks/workbenches without height adjustment

										Blazer/Synergy fabric
								length [mm]	width [mm]	
								-	Mounted to the metal frame	
								<b>X</b>	Mounted to the desktop	
<b>W</b>	<b>N</b>	<b>K</b>	<b>K</b>	<b>P</b>	<b>0</b>	<b>1</b>	-	850	38	20
<b>W</b>	<b>N</b>	<b>K</b>	<b>K</b>	<b>P</b>	<b>0</b>	<b>4</b>	-	850	65	24

Vertical wire trunking for desks/workbenches with manual height adjustment and for a high table

										Blazer/Synergy fabric
								length [mm]	width [mm]	
								-	Mounted to the metal frame	
								<b>X</b>	Mounted to the desktop	
<b>W</b>	<b>N</b>	<b>K</b>	<b>K</b>	<b>P</b>	<b>0</b>	<b>2</b>	-	1200	38	22
<b>W</b>	<b>N</b>	<b>K</b>	<b>K</b>	<b>P</b>	<b>0</b>	<b>3</b>	-	1200	65	26

# Accessories

Vertical wire trunking for desks/workbenches with electric height adjustment

							-	Mounted to the metal frame		
							X	Mounted to the desktop		
								length [mm]	width [mm]	Blazer/Synergy fabric
W	N	K	K	P	0	5	-	1500	38	24
W	N	K	K	P	0	6	-	1500	65	28

## FLO monitor arm

										Metal
										Aluminium (AL), White (BI)
W	N	K	A	U	X	0	4	0	2	Price on request

## RODNEY monitor arm

										Metal
										Aluminium (AL), White (BI), Black (CZ)
W	N	K	A	U	X	0	4	0	3	Price on request

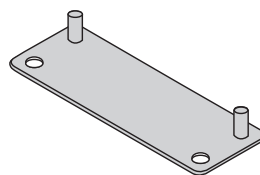
## Wireless charger

W	N	K	A	U	X	0	4	0	4	-	E	U	170
W	N	K	A	U	X	0	4	0	4	-	G	B	170

## Charger adapter

W	N	K	A	U	X	0	4	0	5	45
---	---	---	---	---	---	---	---	---	---	----

## T-shaped base spacer set (2 pcs)



										Metal
										Aluminium (AL), White (BI), Black (CZ)
W	N	K	A	U	X	0	4	0	6	13

# Levitate

## TABLE OF CONTENTS

<b>Technical description</b>	<b>145</b>
Desks, workbenches, high tables	146
Secretary box	148
Suspended pedestal	148
Panels	149
Seats	149
Accessories	150
Wire trunking	150
Horizontal wire trunking	150
Vertical wire trunking	150
<b>Price list and how to order</b>	<b>151</b>
Desks	152
Workbenches	153-154
Hole for cable outlets and media ports	155
Panels	156
Suspended pedestals	157
High tables	158
Seats	159
Accessories	160-161
Wire trunking	162

# Technical

**description**

# Technical description

The Levitate system comprises of desks, workbenches and high tables with a solid and durable supporting structure that consists of an A-type base and a frame to which a top is fixed. The system is complemented with suspended pedestals, a secretary box, panels and accessories.

## 1. Desks, workbenches, high tables

### 1.1. Top

The tops for desks and workbenches are available in two versions:

- fixed top – rectangular, rounded to a 100 mm radius on the user's side;
- sliding top that consists of two parts:
  - fixed part – rectangular top with fixed depth 220 mm,
  - sliding part – rectangular top rounded to a 100 mm radius on the user's side.

The sliding top ensures direct and easy access to the second storage level organiser. The sliding range of the top is 150 mm. Between the fixed part and sliding part there is an 8 mm functional gap that allows for channelling cables and ensures access to a media port (cable outlets and media ports are ordered separately).

A top for high tables is available in two versions:

- rectangular top, rounded to a 100 mm radius on four sides,
- oval top.

The 25 mm thick tops are available in the following options:

- melamine double-faced chipboard, class E1. The narrow desktop edge is protected with a 2 mm ABS edge band (for the BI and MB

finishes a laser edge band is available as standard),

- plywood covered with linoleum on one side; the underside of the top is covered with counter-pressure laminate. The narrow top edge is protected with wax, which makes the plywood structure visible,
- chipboard veneered on one side; the underside of the top is covered with counter-pressure laminate. The narrow top edge is finished with natural edge band. The option is available only for the fixed part of the sliding top – this applies to a desk/workbench with a sliding top.

### 1.2. Second storage level organiser

This is an integral element of a desk and a workbench workstation with a sliding top. It is a functional and aesthetically pleasing place for storing personal items and office tools. It consists of a few trays with different dimensions, depending on the desk width. The organiser is made of thermo-formed felt with an optional media port (position of the media port: left or right).

**NOTE:** if you choose an organiser with a media port placed on the left, the assembly of a suspended pedestal will only be possible on the right side of a desk and vice versa.

### 1.3. Frame

The powder-coated frame is made of two 30 × 40 mm steel profiles. It is finished with a linking unit made of a 10 mm thick metal sheet. The unique structure of the desk frame allows for assembling:

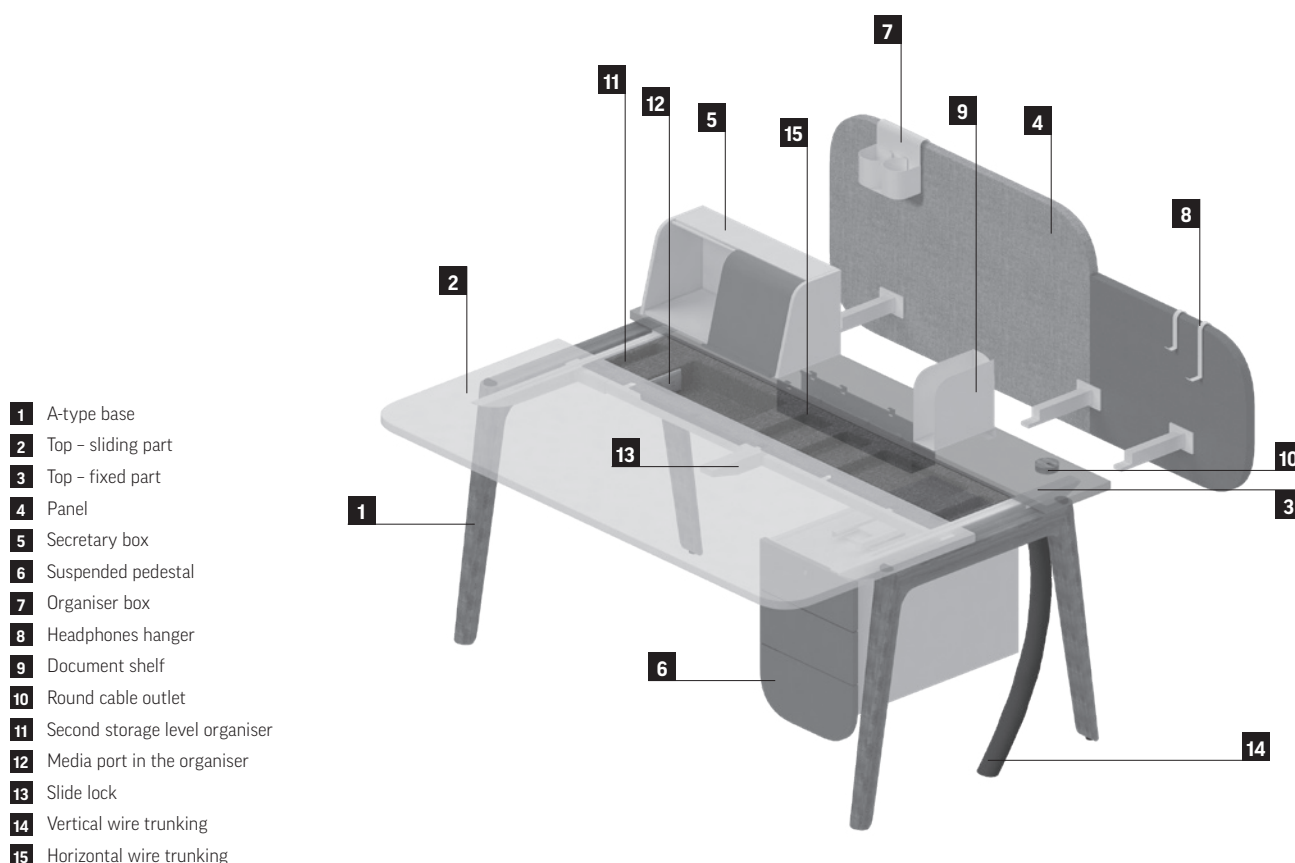
- upper panels using metal handles,
- a second storage level organiser using plastic clips,
- a pedestal using a metal handle.

### 1.4. Legs

The A-type legs are made of solid oak wood finished with transparent varnish, which keeps the natural grain of the wood visible. The leg shape is slightly rounded on the outside. In cross-section, legs taper evenly towards the floor.

### 1.5. Height

The fixed height of desks and workbenches is 740 mm, while the fixed height of high tables is 1050 mm. Glides that allow for levelling in the range of + 10 mm are available as standard.



- 1** A-type base
- 2** Top – sliding part
- 3** Top – fixed part
- 4** Panel
- 5** Secretary box
- 6** Suspended pedestal
- 7** Organiser box
- 8** Headphones hanger
- 9** Document shelf
- 10** Round cable outlet
- 11** Second storage level organiser
- 12** Media port in the organiser
- 13** Slide lock
- 14** Vertical wire trunking
- 15** Horizontal wire trunking



## Desks



Fixed top



Sliding top

## Workbenches



Fixed top



Sliding top

## High tables



Oval top

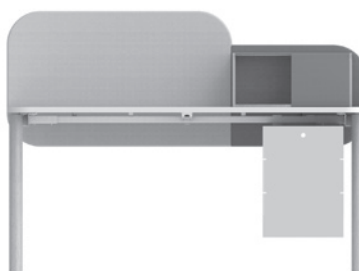
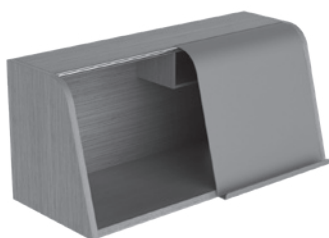


Top rounded on both sides

# Technical description

## 2. Secretary box

The secretary box is a mobile element, so its location can be changed easily. The secretary box comes in two structural versions: it can be made of 12 mm thick melamine double-faced chipboard or 12 mm thick veneered chipboard. The powder-coated front of the secretary box is made of a 1 mm thick metal sheet. The front can pivot and slide at the same time.

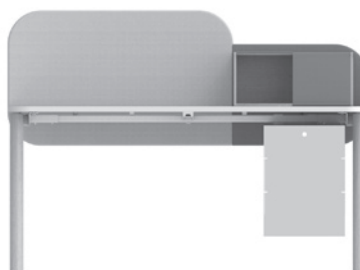


## 3. Suspended pedestal

The suspended pedestal is available in two versions: with two or three drawers. The pedestal structure and front are made of 18 mm thick melamine double-faced chipboard. The drawers are equipped with a soft-closing system. The upper drawer of the pedestal is fitted with a square lock that has two keys. The pedestal chipboard drawers are always available in white. The pull-out of all drawers is 80%. The pedestal

is fixed to the desk frame using a metal handle. Thanks to its universal structure, the pedestal can be assembled either on the right or left side of a desk. The suspended pedestal can be equipped with an organiser made of thermoformed felt as an option.

**NOTE:** if you choose a desk/workbench workstation with a sliding desktop and a left second storage level organiser, the assembly of the suspended panel will be possible only on the right side and vice versa.



## 4. Panels

The upper fully upholstered panels are fixed to the desk frame using metal handles. The panel structure consists of a wooden frame filled with a fiberboard core, which makes the panels pinnable.

Panels are available in two versions:

- for desks; the panel consists of two elements - 1190 mm height (the higher panel) and 1040 mm height (the lower panel).

- for desks and workbenches; the panel height is 1160 mm.

The panel height is measured from the floor and given in their upper position.

Workbenches are always suitable for integration with a panel (panels are ordered separately).



## 5. Seats

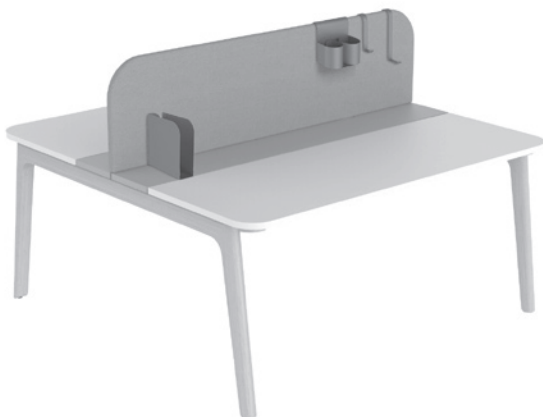
Seats are available in the following versions: one-person 400 × 400 mm and two-person 1200 × 400 mm, low and high. The height of high benches and bar stools is 736 mm, and the height of low benches and stools is 456 mm. Glides that allow for levelling in the range of + 10 mm are available as standard.

The high bench and bar stool can optionally be equipped with a metal bag holder, which is a structural element of the seat. The holder cannot be ordered separately.



## 6. Accessories

Accessories (organiser box, headphones hanger, document and catalogue shelf) are made of a 1 mm thick powder-coated metal sheet. Their structure ensures tool-free assembly. The accessories are hung on a panel or pushed onto a top.



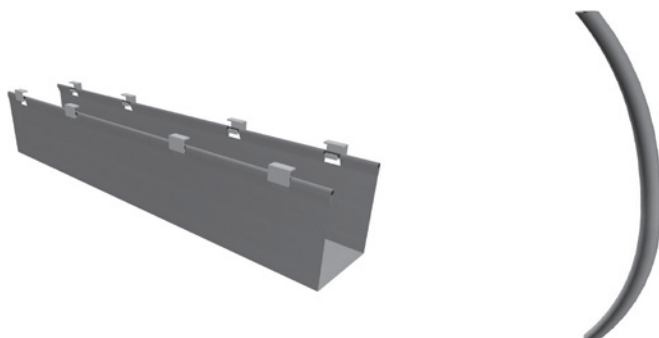
## 7. Wire trunking

### 7.1. Horizontal wire trunking

Horizontal wire trunking is made of an upholstery fabric and fixed to the top using plastic connectors. The wire trunking is available in a few different widths; it can be assembled to desks and workbench workstations. The height of horizontal wire trunking is 120 mm.

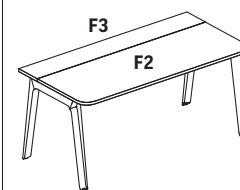
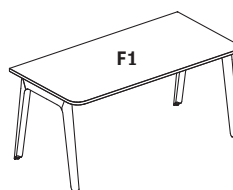
### 7.2. Vertical wire trunking

Vertical wire trunking is made of an upholstery fabric and fixed to the top using a plastic handle. There is a zip along the whole length of the wire trunking, which allows for easy cable management. The 850 mm long wire trunking is designed for desks and workbenches. The 1200 mm long wire trunking is designed for a high table.



# Price list

**and how to order**



		FIXED TOP						SLIDING TOP							
D:	Depth (mm)	700			800			900		800			900		
W:	Width (mm)	1200	1400	1600	1400	1600	1800	1600	1800	1400	1600	1800	1600	1800	
F1:___	Finish: Desk with a fixed top (F1)														
	Melamine (as in the finishes catalogue)	775	800	825	825	850	875	875	900						
	Linoleum (as in the finishes catalogue)	1075	1100	1125	1175	1200	1225	1275	1300						
F2:___ F3:___	Finish: Desk with a sliding top (F2+F3)														
	Melamine + Melamine (as in the finishes catalogue)								975	1000	1025	1025	1050		
	Melamine + Veneer (as in the finishes catalogue)								1075	1100	1125	1125	1150		
	Linoleum + Veneer (as in the finishes catalogue)								1275	1300	1325	1325	1350		
	Linoleum + Linoleum (as in the finishes catalogue)								1325	1350	1375	1425	1450		
HOLE:	Holes for cable outlets and media ports/slots in the top*														
0	None							●		●					
—	Holes for cable outlets and media ports/slots: available combinations on page 155							●		●					
ORGANISER:	Second storage level organiser														
L	Left								●						
P	Right								●						
MEDIAPORT:	Hole for a media port in the organiser*														
0	None								●						
PROTON1	2×USB charger								●						
PROTON2	1×230V + 2×USB charger								●						
BASE	FRAME:	Frame colour													
	BI	White (RAL 9016)							●		●				
	CZ	Black (RAL 9005)							●		●				

### Sample order

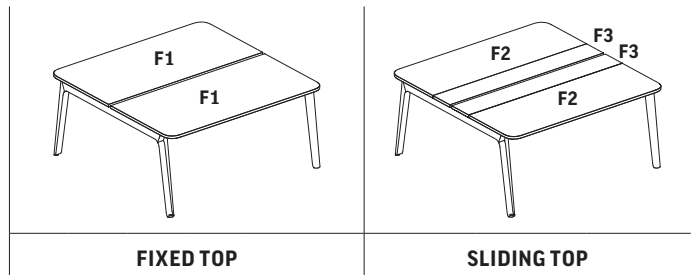
LEVITATE DESK FIXED TOP: TOP (D:800 W:1600 F1:BI HOLE:80L) BASE (FRAME:BI LEG:0A)

LEVITATE DESK SLIDING TOP: TOP (D:800 W:1600 F2:BI F3:BI HOLE:80L ORGANISER:P MEDIAPORT:PROTON2) BASE (FRAME:BI LEG:0A)

### Legend

- available as standard without extra charge

\* Cable outlet/media port is ordered separately, page 161



	D:	Depth (mm)	2 × 700			2 × 800			2 × 800			
	W:	Width (mm)	1200	1400	1600	1400	1600	1800	1400	1600	1800	
F1: __	<b>Finish: Workbench with a fixed top (F1)</b>											
		Melamine (as in the finishes catalogue)	1275	1325	1375	1425	1475	1525				
		Linoleum (as in the finishes catalogue)	1875	1925	1975	2125	2175	2225				
F2: __ F3: __	<b>Finish: Workbench with a sliding top (F2+F3)</b>											
		Melamine + Melamine (as in the finishes catalogue)							1725	1775	1825	
		Melamine + Veneer (as in the finishes catalogue)							1925	1975	2025	
		Linoleum + Veneer (as in the finishes catalogue)							2325	2375	2425	
		Linoleum + Linoleum (as in the finishes catalogue)							2425	2475	2525	
HOLE:	<b>Holes for cable outlets and media ports/slots in the top*</b>											
	0	None									●	
	—	Holes for cable outlets and media ports/slots: available combinations on page 155									●	
ORGANISER:	<b>Second storage level organiser</b>											
	2L	2×Left									●	
	2P	2×Right									●	
	LP	Left and right									●	
MEDIAPORT:	<b>Hole for a media port in the organiser*</b>											
	0	None									●	
	PROTON1	2×USB charger									●	
	PROTON2	1×230V + 2×USB charger									●	
FRAME:	<b>Frame colour</b>											
	BI	White (RAL 9016)									●	
	CZ	Black (RAL 9005)									●	

### Sample order

LEVITARE WORKBENCH FIXED TOP: TOP (D:2×800 W:1600 F1:BI HOLE:80L/80L) BASE (FRAME:BI LEG:0A)

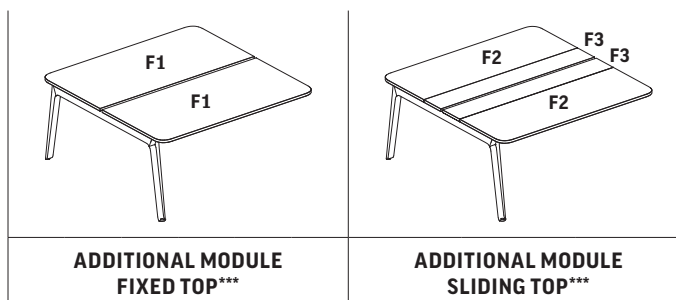
LEVITARE WORKBENCH SLIDING TOP: TOP (D:2×800 W:1600 F2:BI F3:BI HOLE:80L/80L ORGANISER:2P MEDIAPORT:PROTON2) BASE (FRAME:BI LEG:0A)

### Legend

- available as standard without extra charge

\* Cable outlet/media port is ordered separately, page 161

\*\* Workbenches are always suitable for integration with a panel; panels are ordered separately, page 156.



	D:	Depth (mm)	2 × 700			2 × 800			2 × 800		
	W:	Width (mm)	1200	1400	1600	1400	1600	1800	1400	1600	1800
F1: __	<b>Finish: Workbench with a fixed top (F1)</b>										
		Melamine (as in the finishes catalogue)	1075	1125	1175	1225	1275	1325			
		Linoleum (as in the finishes catalogue)	1675	1725	1775	1925	1975	2025			
F2: __ F3: __	<b>Finish: Workbench with a sliding top (F2+F3)</b>										
		Melamine + Melamine (as in the finishes catalogue)							1525	1575	1625
		Melamine + Veneer (as in the finishes catalogue)							1725	1775	1825
		Linoleum + Veneer (as in the finishes catalogue)							2125	2175	2225
		Linoleum + Linoleum (as in the finishes catalogue)							2225	2275	2325
HOLE:	<b>Holes for cable outlets and media ports/slots in the top*</b>										
	0	None									
	—	Holes for cable outlets and media ports/slots: available combinations on page 155									
ORGANISER:	<b>Second storage level organiser</b>										
	2L	2×Left									
	2P	2×Right									
	LP	Left and right									
MEDIAPORT:	<b>Hole for media port*</b>										
	0	None									
	PROTON1	2×USB charger									
	PROTON2	1 × 230V + 2×USB charger									
FRAME:	<b>Frame colour</b>										
	BI	White (RAL 9016)									
	CZ	Black (RAL 9005)									

### Sample order

LEVITATE WORKBENCH ADDITIONAL MODULE FIXED TOP: TOP (D:2×800 W:1600 F1:BI HOLE:80L/80L) BASE (FRAME:BI LEG:0A)

LEVITATE WORKBENCH ADDITIONAL MODULE SLIDING TOP: TOP (D:2×800 W:1600 F2:BI F3:BI HOLE:80L/80L ORGANISER:2P MEDIAPORT:PROTON2) BASE (FRAME:BI LEG:0A)

### Legend

- available as standard without extra charge

\* Cable outlet/media port is ordered separately, page 161

\*\* Workbenches are always suitable for integration with a panel; panels are ordered separately, page 156

\*\*\* Possibility to combine additional modules with different top types freely



## Available combinations

DESK				
	LEFT	CENTRAL	RIGHT	LEFT + RIGHT
HOLE Ø80	 Hole Ø80 on the left side		 Hole Ø80 on the right side	 Holes Ø80 on the left and right sides
	80L		80P	80L-80P
SLOT	 Slot on the left side		 Slot on the right side	 Slots on the left and right sides
	WL		WP	WL-WP

WORKBENCH				
	LEFT (2×)	CENTRAL	RIGHT (2×)	LEFT + RIGHT
HOLE Ø80	 Hole Ø80 on the left side for both workstations		 Hole Ø80 on the right side for both workstations	 Holes Ø80 on the opposite sides for both workstations
	80L/80L		80P/80P	80L/80P
SLOT	 Slots on the left side for both workstations		 Slots on the right side for both workstations	 Slots on the opposite sides for both workstations
	WL/WL		WP/WP	WL/WP

TABLE				
	LEFT	CENTRAL	RIGHT	LEFT + RIGHT
HOLE Ø80		 Hole Ø80 in the middle		 Holes Ø80 on the left and right sides
		80CC		80CL-80CP

		<b>UPPER UPHOLSTERED FOR DESK</b>				<b>UPPER UPHOLSTERED FOR WORKBENCH*</b>			
	Height (mm)	1190/1040				1160			
W:	Width (mm)	1200	1400	1600	1800	1200	1400	1600	1800

		Finish: Desk panel (F1 + F2)			
F1: __ F2: __	ERA (as in the finishes catalogue)	350	370	390	410
	SYNERGY + ERA (as in the finishes catalogue)	365	385	405	425
	ERA + SYNERGY (as in the finishes catalogue)				
	SYNERGY (as in the finishes catalogue)	380	400	420	440

		Finish: Workbench panel (F1)					
F1: __	ERA (as in the finishes catalogue)			270	290	310	330
	SYNERGY (as in the finishes catalogue)			300	320	340	360

BRACKET:	Bracket colour	
BI	White (RAL 9016)	●
CZ	Black (RAL 9005)	●

### Sample order

LEVITATE PANEL UPPER UPHOLSTERED FOR DESK (W:1600 F1:LDS75 F2:CSE19 BRACKET:BI)

LEVITATE PANEL UPPER UPHOLSTERED FOR WORKBENCH (W:1600 F1:LDS75 BRACKET:BI)

## Accessories

	<b>ORGANISER BOX</b> (panel)	<b>HEADPHONES HANGER</b> (panel)	<b>DOCUMENT SHELF</b> (top)
Depth (mm)	82	–	211
Width (mm)	166	110	82
Height (mm)	149	150	198

		Finish: Metal accessories		
F1: __	Metal (as in the finishes catalogue)	40	30	40

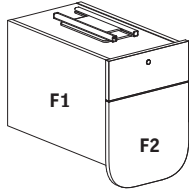
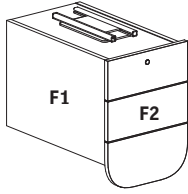
### Sample order

LEVITATE ORGANISER BOX (F1:BI)

### Legend

- available as standard without extra charge

\* Workbench panel can be used with a desk as well

		
	<b>2 DRAWERS*</b>	<b>3 DRAWERS*</b>
Height (mm)	490	
Width (mm)	360	
Depth (mm)	590	

INTEGRATION:	For integration with:	
700	Desk/workbench, depth 700 mm	280
800	Desk/workbench, depth 800 mm	
900	Desk, depth 900 mm	
		340

F1: __	Finish: Carcass (F1)	
	Melamine (as in the finishes catalogue)	●
		●

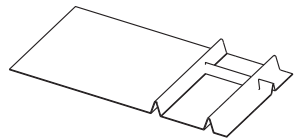
F2: __	Finish: Fronts (F2)	
	Melamine (as in the finishes catalogue)	●
		●

BRACKET:	Mounting bracket colour	
BI	White (RAL 9016)	●
CZ	Black (RAL 9005)	●

**Sample order**

LEVITATE PEDESTAL 3 DRAWERS (INTEGRATION:800 F1:BI F2:BI BRACKET:BI)

## Accessories

	
	<b>PEDESTAL ORGANISER</b>
Depth (mm)	470
Width (mm)	250
Height (mm)	40

Finish: Accessories	
Press felt	45

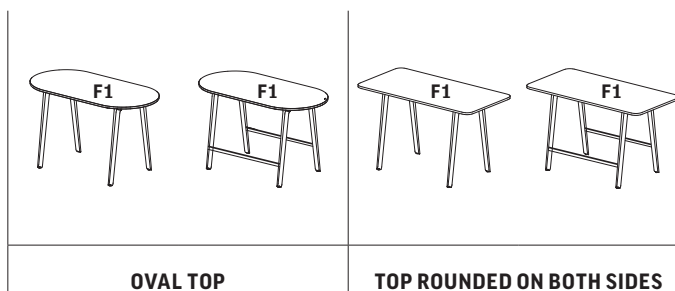
**Sample order**

LEVITATE PEDESTAL ORGANISER

**Legend**

- available as standard without extra charge

\* Pedestal drawers are made of chipboard and always available in white (BI)



TOP	D:	Depth (mm)	900	1000	900	1000
	W:	Width (mm)	1800	2000	1800	2000
Finish: Top (F1)						
F1: __	Melamine (as in the finishes catalogue)		1000	1050	1000	1050
	Linoleum (as in the finishes catalogue)		1450	1500	1450	1500
HOLE:	Holes for cable outlets and media ports*					
0	None		●		●	
—	Holes for cable outlets and media ports: available combinations on page 155		●		●	
BASE	FRAME:	Frame colour				
	BI	White (RAL 9016)		●		●
	CZ	Black (RAL 9005)		●		●
	BRACKET:	Leg bracket colour				
	0	None		●		●
	BI	White (RAL 9016)		+70		+70
CZ	Black (RAL 9005)		+70		+70	

### Sample order

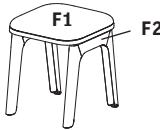
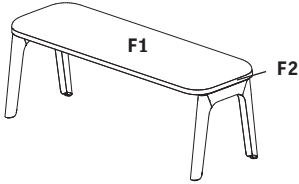
LEVITATE HIGH TABLE OVAL TOP: TOP (D:900 W:1800 F1:BI HOLE:80CC) BASE (FRAME:BI BRACKET:0 LEG:0A)

LEVITATE HIGH TABLE TOP ROUNDED ON BOTH SIDES: TOP (D:900 W:1800 F1:BI HOLE:80CC) BASE (FRAME:BI LEG:0A)

### Legend

- available as standard without extra charge
- available as an option without extra charge

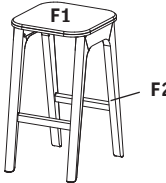
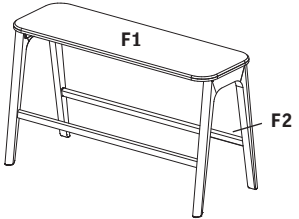
\* Cable outlet/media port is ordered separately, page 161

		
	<b>STOOL</b>	<b>LOW BENCH</b>
Height (mm)	456	456
Width x Depth (mm)	400 x 400	1200 x 400

<b>SEAT</b>	<b>Finish: Seat (F1)</b>		
	F1: __	ERA (as in the finishes catalogue)	<b>290</b>
		SYNERGY (as in the finishes catalogue)	<b>310</b>
	<b>Finish: Seat board (F2)</b>		
	F2: __	Melamine (as in the finishes catalogue)	•
<b>BASE</b>	<b>FRAME:</b>	<b>Frame colour</b>	
	<b>BI</b>	White (RAL 9010)	•
	<b>CZ</b>	Black (RAL 9005)	•

Sample order

LEVITATE **STOOL**; SEAT (F1:**LDS75** F2:**CC**) BASE (FRAME:**CZ** LEG:0A)

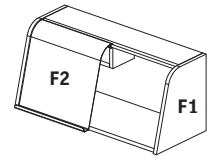
		
	<b>HOCKER</b>	<b>HIGH BENCH</b>
Height (mm)	736	736
Width x Depth (mm)	400 x 400	1200 x 400

<b>SEAT</b>	<b>Finish: Seat (F1)</b>		
	F1: __	ERA (as in the finishes catalogue)	<b>410</b>
		SYNERGY (as in the finishes catalogue)	<b>430</b>
	<b>Finish: Seat board (F2)</b>		
	F2: __	Melamine (as in the finishes catalogue)	•
<b>BASE</b>	<b>FRAME:</b>	<b>Frame colour</b>	
	<b>BI</b>	White (RAL 9010)	•
	<b>CZ</b>	Black (RAL 9005)	•
	<b>BRACKET:</b>	<b>Leg bracket colour</b>	
	<b>BI</b>	White (RAL 9010)	•
	<b>CZ</b>	Black (RAL 9005)	•
	<b>HOLDER:</b>	<b>Holder colour</b>	
	<b>NONE</b>	No holder	•
	<b>BI</b>	White (RAL 9010)	○
<b>CZ</b>	Black (RAL 9005)	○	

Sample order

LEVITATE **HOCKER**; SEAT (F1:**LDS75** F2:**CC**) BASE (FRAME:**CZ** BRACKET:**CZ** HOLDER:**CZ** LEG:0A)

## Secretary box



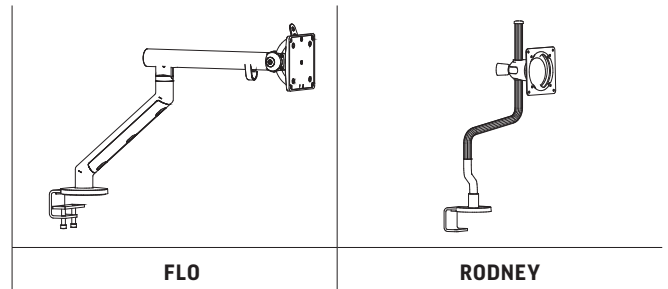
		SECRETARY BOX
	Height (mm)	240
	Width (mm)	530

Finish: Carcass (F1)		
F1:___	Melamine (as in the finishes catalogue)	215
	Veneer (as in the finishes catalogue)	490
Finish: Front (F2)		
F2:___	Metal (as in the finishes catalogue)	●

### Sample order

LEVITATE SECRETARY BOX (F1:BI F2:BI)

## Monitor arm



Monitor arm colour			
BI	White	220	133
CZ	Black		

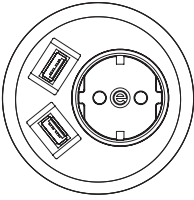
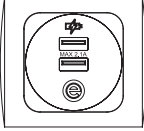
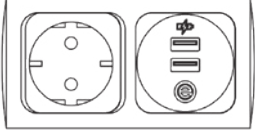
### Sample order

MONITOR ARM RODNEY-BI

### Legend

- available as standard without extra charge

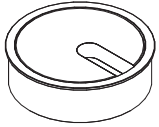
Media ports and cable outlets

		
<b>MEDIAPORT PIXEL-1x230V+2XUSB</b>	<b>MEDIAPORT PROTON-2XUSB</b>	<b>MEDIAPORT PROTON-1x230V+2XUSB</b>
<ul style="list-style-type: none"> <li>• designed for top</li> <li>• 1x230V</li> <li>• 2xUSB (charger)</li> <li>• cable length: 3 m</li> <li>• black</li> </ul>	<ul style="list-style-type: none"> <li>• designed for organiser</li> <li>• 2xUSB (charger)</li> <li>• cable length: 3 m</li> <li>• black</li> </ul>	<ul style="list-style-type: none"> <li>• designed for organiser</li> <li>• 1x230V</li> <li>• 2xUSB (charger)</li> <li>• cable length: 3 m</li> <li>• black</li> </ul>

Standard					
FR	French		290	250	270
GE	German				
GB	British				

Sample order

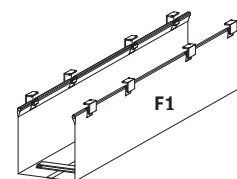
MEDIAPORT PIXEL-1x230V+2XUSB-3M-FR-CZ


<b>ROUND CABLE OUTLET DI 80</b>

Finish		
OA	Oak wood	20

Sample order

ROUND CABLE OUTLET DI80-OA



L: __	Trunking length	<b>HORIZONTAL UPHOLSTERED</b>
290	For desks, width: 1200 and 1400; for workbenches, width: 1200 and 1400	<b>60</b>
490	For desks, width: 1600 (depth: 700 and 800); for workbenches, width: 1600	<b>70</b>
670	For desks, width: 1600 (depth: 900) and 1800; for workbenches, width: 1800	<b>80</b>
<b>Finish: Wire trunking (F1)</b>		
F1: __	SYNERGY (as in the finishes catalogue)	●

**Sample order**

WIRE TRUNKING **HORIZONTAL UPHOLSTERED** (L:490 F1:LDS75)



L: __	Trunking length	<b>VERTICAL UPHOLSTERED</b>
850	For desks/workbenches, height 740	<b>25</b>
1200	For high tables, height 1050	<b>30</b>
<b>Finish: Wire trunking (F1)</b>		
F1: __	SYNERGY (as in the finishes catalogue)	●

**Sample order**

WIRE TRUNKING **VERTICAL UPHOLSTERED** (L:850 F1:LDS75)

**Legend**

- available as standard without extra charge



# SQart

## TABLE OF CONTENTS

<b>SQart Workstation</b>	<b>165</b>
Technical description	167-175
Price list	177-234
<b>SQart Managerial</b>	<b>235</b>
Technical description	237-241
Price list	243-260

# SQart

**workstation**

## TABLE OF CONTENTS

<b>Technical description</b>	<b>167</b>
How to order a desk	168
Desk shapes	169
Workbench	170
Desk extensions	171
Conference tables	171
Horizontal wire trunking	172
Cable outlet	172
Desks panels	172
Pedestals	173
Cabinets	173
Upper cabinets	174
Cabinet + Upper cabinet	174
Auxiliary furniture	175
<b>Price list</b>	<b>177</b>
Desks	178-189
Workbench	190-201
Conference tables	202-203
Desks extensions	204
Panels	205-207
Accessories	208
Pedestals	209-211
Sideboards	212
Cabinets	213-229
Auxiliary furniture	230
Additional elements	231-234

# Technical

**description**

## 1. How to order a desk

The SQart system requires ordering in component form:

- a desktop with a fixed frame
- a base (legs)

The structure of the desk makes it possible to use various leg types with the same frame – please note that the base and desktop depth dimension should match. The following is an example shows how to order a desk:

### Rectangular desks with O legs, height 740 mm

													Melamine + 1			
													N fixed top	S sliding top		
													width		depth	
<b>L</b>	Outlet for cables – left															
<b>R</b>	Outlet for cables – right															
<b>M</b>	Outlet for cables – middle															
<b>N</b>	Without outlet for cables															
	<b>N</b>	Fixed top														
	<b>S</b>	Sliding top														
<b>Top</b>	<b>W</b>	<b>N</b>	<b>S</b>	<b>R</b>	<b>O</b>	<b>6</b>	<b>N</b>	<b>N</b>	<b>N</b>	<b>Z</b>			1200 mm	800 mm	139	240
	<b>W</b>	<b>N</b>	<b>S</b>	<b>R</b>	<b>O</b>	<b>8</b>	<b>N</b>	<b>N</b>	<b>N</b>	<b>Z</b>			1400 mm		175	276
	<b>W</b>	<b>N</b>	<b>S</b>	<b>R</b>	<b>1</b>	<b>0</b>	<b>N</b>	<b>N</b>	<b>N</b>	<b>Z</b>			1600 mm		181	282
	<b>W</b>	<b>N</b>	<b>S</b>	<b>R</b>	<b>1</b>	<b>2</b>	<b>N</b>	<b>N</b>	<b>N</b>	<b>Z</b>			1800 mm		197	298
	<b>W</b>	<b>N</b>	<b>S</b>	<b>R</b>	<b>1</b>	<b>4</b>	<b>N</b>	<b>N</b>	<b>N</b>	<b>Z</b>			2000 mm	For base type: <b>C</b>	206	307
	<b>W</b>	<b>N</b>	<b>S</b>	<b>R</b>	<b>2</b>	<b>5</b>	<b>N</b>	<b>N</b>	<b>N</b>	<b>Z</b>			1400 mm	1000 mm	177	299
	<b>W</b>	<b>N</b>	<b>S</b>	<b>R</b>	<b>2</b>	<b>6</b>	<b>N</b>	<b>N</b>	<b>N</b>	<b>Z</b>			1600 mm		186	308
	<b>W</b>	<b>N</b>	<b>S</b>	<b>R</b>	<b>2</b>	<b>7</b>	<b>N</b>	<b>N</b>	<b>N</b>	<b>Z</b>			1800 mm		199	320
	<b>W</b>	<b>N</b>	<b>S</b>	<b>R</b>	<b>2</b>	<b>8</b>	<b>N</b>	<b>N</b>	<b>N</b>	<b>Z</b>			2000 mm	For base type: <b>E</b>	208	330
	<b>L</b>	2 mm laser edge for selected melamine decors: NB, NJ, NH, BI, MP, MB – surcharge 12 EUR										<b>Z</b>	Top with fixed frame			
							<b>0</b>	For top without outlet for cables								
							<b>1</b>	For top with one outlet for cables*								
							<b>2</b>	For top with two outlets for cables*								
<b>Base (Legs)</b>	<b>W</b>	<b>N</b>	<b>S</b>	<b>N</b>	<b>B</b>	<b>C</b>	<b>6</b>	<b>N</b>	<b>0</b>	<b>N</b>	<b>N</b>		Without height adjustment	<b>C</b>	161	800 × 800 mm
	<b>W</b>	<b>N</b>	<b>S</b>	<b>N</b>	<b>B</b>	<b>C</b>	<b>6</b>	<b>H</b>	<b>0</b>	<b>N</b>	<b>N</b>		With manual height adj. (640–860 mm)		262	
	<b>W</b>	<b>N</b>	<b>S</b>	<b>N</b>	<b>B</b>	<b>E</b>	<b>6</b>	<b>N</b>	<b>0</b>	<b>N</b>	<b>N</b>		Without height adjustment	<b>E</b>	169	1000 × 1000 mm
	<b>W</b>	<b>N</b>	<b>S</b>	<b>N</b>	<b>B</b>	<b>E</b>	<b>6</b>	<b>H</b>	<b>0</b>	<b>N</b>	<b>N</b>		With manual height adj. (640–860 mm)		270	

\*Colour of the cable outlet always matching the base colour

When ordering a desk with a 1600 × 800 mm desktop and O type legs, select the WNSR10NNNZ desktop and the WNSNBC6NONN base.

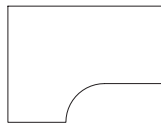
A desk order will therefore comprise two reference numbers:  
**WNSR10NNNZ** (desktop) and **WNSNBC6NONN** (base)

## 2. Desk shapes

The SQart office furniture system offers desks with various desktop shapes:



Rectangular



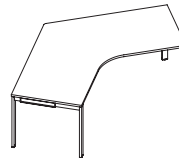
L shape



Single wave



Double wave



Angular 120°

Desktops are made of 25 mm E1 chipboard, with melamine on both sides. Desktops have metal threaded inserts, to which the frame is fixed with machine screws. The frame is made from 50 × 25 mm, 2 mm gauge box section and is joined at each end with a C shape 400 × 61 × 19 mm, drilled with multiple fixing holes to which the legs are fitted. Sliding desktops are locked with a latch mechanism. A common element of each desk is a 400 × 61 mm plastic cover panel, snap-

fastened to the desk frame, it is manufactured in various colours black body and a 0,8 mm thick insert which is transparent, white for a white base, aluminium for an aluminium base and aluminium for a black base. SQart system offers metal frame cover, adjusted to the depth of the desk, workbench or conference table. The metal cover is available in the colors of the base: AL, CZ, BI. Metal cover is mounted to the frame via magnet.

Rectangular desks on 4 metal legs or on 0 legs can also be ordered in the version without a frame cover.

Additionally, 2 mm laser edge banding versions are available – for a surcharge – to melamine desktops. Decors available with laser edge: BI White, NH Maple, MP Platinum, NJ Acacia Light, MB White Grey, NB Beech Bright.

Depending on the shape of the desktop, the system offers several desk types:

### Rectangular desks:

- 4 no. metal legs made of rectangular 60 × 25 mm profile, with 25 mm Ø leveling feet, optional manual adjustment with a range of 640–860 mm,
- C type legs, made with a 80 mm wide and 30 mm high foot and a 70 × 70 mm profile column, optional manual height-adjustment with a range of 680–820 mm,
- 60 × 25 mm Ø legs, with 50 mm Ø levelling feet, optional manual adjustment with a range of 640–860 mm,
- as standard, all base types are fitted with adjustable levelling feet with a range of + 15 mm.

### L-shape desks:

- 5 no. metal legs made of 60 × 25 mm profile, with 25 mm Ø. levelling feet, optional manual height adjustment with a range of 640–860 mm,
- 2 no. C type legs, made with 80 mm wide and 30 mm high foot and a 70 × 70 mm profile column, and 1 rectangular 60 × 25 mm leg, optional manual height adjustment with a range of 680–820 mm.

### 120 deg. desks:

- 5 no. metal legs made of 60 × 25 mm profile, with 25 mm Ø levelling feet.

# Description

## Other desktop shapes (single wave, double wave)

- 4 no. metal legs made of 60 × 25 mm profile, with 25 mm Ø levelling feet, optional manual, height adjustment with a range of 640–860 mm
- C type legs, 80 mm wide and 30 mm high foot and a 70 × 70 mm profile column, optional manual height adjustment with a range of 680–820 mm
- 60 × 25 mm closed profile legs, with 50 mm Ø. levelling feet, optional manual height adjustment with a range of 640–860 mm

The SQtart furniture system offers also desks with the integration of an Big Orga Tower pedestal which substitutes 2 no. metal post legs, 1 no. C type leg or 1 no. O type leg. Big Orga Tower pedestal, 400 mm wide and 800 mm deep is available in one height: 1117 mm but also in freestanding version. The carcass and the top is made of 18 mm melamine faced chipboard.

**Note:**  
Desks integrated with the Orga Tower pedestal are not height-adjustable.

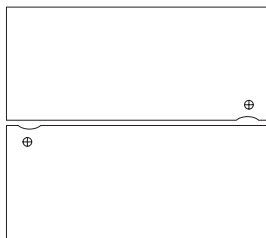
## 3. Workbench

A workbench workstation includes:

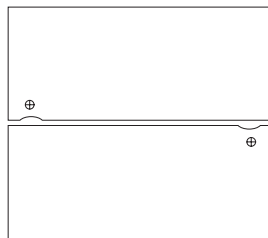
- a basic module – two tops connected to a single frame (2 workstations)
- an additional module – attached to the basic module (2 additional workstations)

System offers sliding or fixed tops available with two types of base: four metal legs or two O type legs. The base of an additional module is moved 112 mm back from the edge of the top. Additional modules come in two versions – with or without the option of mounting a central screen panel.

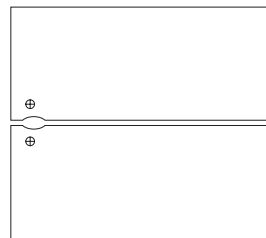
The sliding top feature in workbench tops allows easy cable access. Cables can be taken by special opening flap or from the cable tray to the worktop through the scoops located in various positions as shown below:



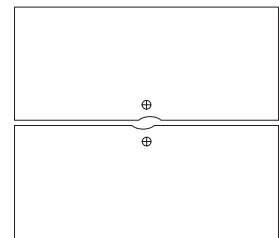
L slot/cable outlet (2 left)



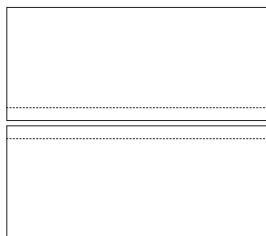
R slot/cable outlet (2 right)



T slot/cable outlet (left + right)



M slot/cable outlet (2 central)



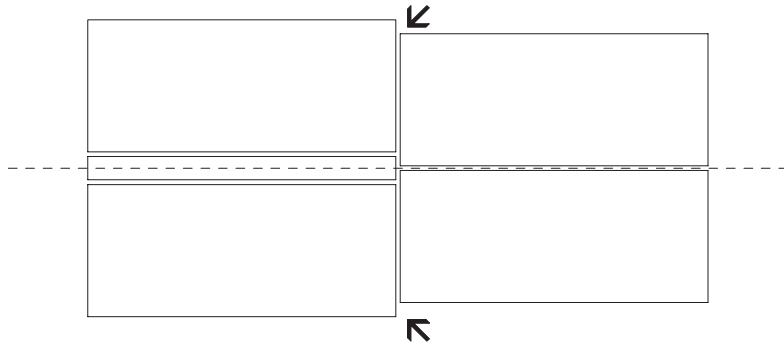
Opening flap



**Caution:**

Ordering the basic module with the central panel results in the need to order an extra module also with a central panel. Otherwise, the construction

fault in connecting tops will occur (non matching edges) - see the picture below:

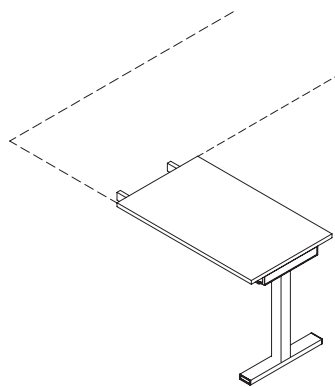
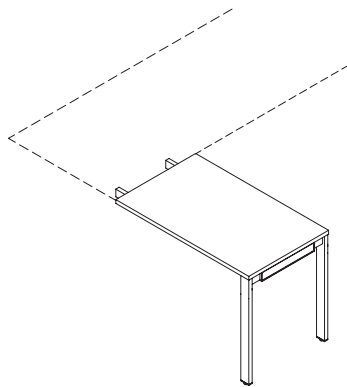


#### 4. Desk extensions

The SQart system offers rectangular desk extensions with 2 base types: one with 2 metal legs and another with a C-shaped leg. An option for

manual height adjustment can be made within a range of 640-860 mm or 680-820 mm (C leg).

After installation the desk extension top cannot slide.



#### 5. Conference tables

Conference tables are constructed in exactly the same way as desks. The tops are made from 25 mm melaminated on both sides chipboard (E1 class).

Tops have a dedicated base with rectangular metal legs. 2400 x 1000 mm and 2400 x 1200 mm tables have additional recessed central legs, 200 and 300 mm respectively.

# Description

## 6. Horizontal wire trunking

All desks can be fitted with horizontal and vertical cable trunking. Cable management trays can be fastened to the desk without tools,

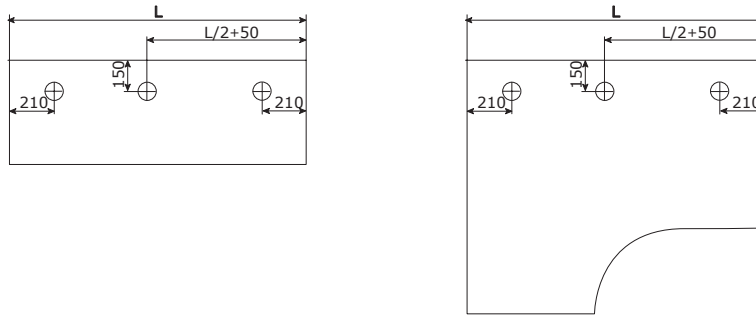
as it is made of modular components, each with the following dimensions: width 200 mm, length 400 mm. Cable management trays are made

of black plastic or metal. Each tray has fixing points for installing vertical cable risers.

## 7. Cable outlet

An optional desktop cable outlet 95 × 95 mm is offered in the SQart system. The cable outlet colour matches the colour of the base.

The following diagram shows the locations of the cable outlet, it can be left, right or central.



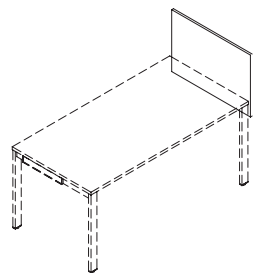
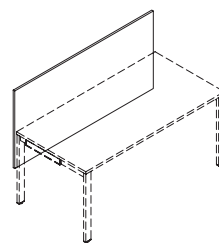
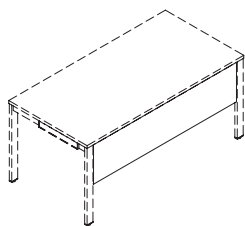
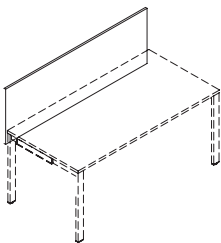
## 8. Desks panels

The SQart system offers desktop table panels mounted onto the desk frame.

- above desk table panel – overall height of 1117 mm (3OH) from floor level, panel height 525 mm
- one-piece table panel – overall height of

- 1117 mm (3OH) from floor level, panel height 755 mm
  - modesty panel – 362 mm from floor level, panel board height 350 mm
  - side table panel – fitted only to a fixed desktop
- All table panels are made of 18 mm melamine

faced chipboard with an aluminium profile fitted to the top to which desk accessories can be attached. The table panel length match the desk width. Modesty panels are 140 mm shorter than the desk width.



A pinable notice board is made of 8 mm soft board, upholstered and attached to a 0,8 mm thick metal panel, powder-coated to aluminium grey colour. Panels are available in widths of 350 mm and 700 mm with a height of 290 mm. The organisation panel is made of 1,5 mm sheet metal, powder – coated to aluminium grey colour.

Location slots are used to fix the universal storage frame. Organisation panel dimensions – width 350 mm, height 290 mm. A storage frame made of black plastic can be used for hanging files or to insert an internal organizer:

- a flat insert (dimensions: 327 × 220 × 3 mm)

- a partition insert (dimensions: 327 × 220 × 38 mm)
  - a container insert for 20 CDs (327 × 220 × 15 mm)
- Internal organisers are made of white plastic.

## 9. Pedestals

The SQart system has pedestals 600 and 800 mm deep in three heights:

- mobile - 575 mm
  - low mobile - 525 mm
  - fixed - 740 mm, available on a base or feet
- Mobile and fixed pedestals are made of 18 mm melamine faced chipboard, the tops of the fixed pedestals are 25 mm thick to match desktops. The body of the pedestal is made of melamine faced chipboard. The SQart system has also in

the offer slim 332 mm width mobile pedestals with 600 mm depth (all rest of pedestals has in standard 432 mm width). All pedestal are equipped with metal drawers.

The pedestals are available with several drawer configurations.

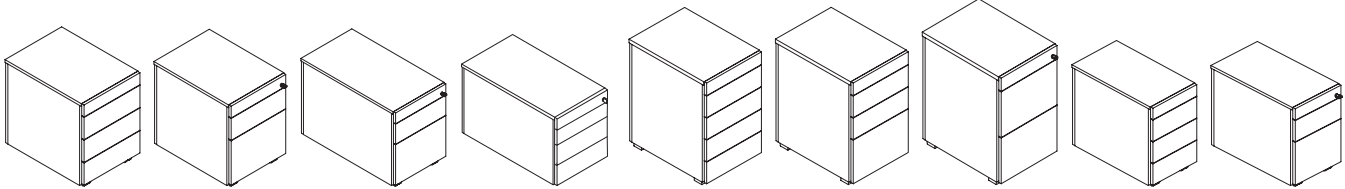
Mobile pedestals (432 and 332 mm width):

- pencil tray + 3 drawers
- pencil tray + 1 drawer + 1 hanging file drawer

Fixed pedestals:

- pencil tray + 4 drawers
- pencil tray + 2 drawers + 1 hanging file drawer
- pencil tray + 2 hanging file drawers.

As standard, all file drawers are fitted with 80% extendable runners, or 100% extendable as an option. The top drawers are always 100% extendable. Fully extendable pedestals are equipped with a counter-balance or an optional fifth castor wheel.



All pedestals are equipped with a soft-close metal drawer and a central lock with the stop control plus feature (making it possible to pull out only one drawer at a time and to independently pull out the pencil tray. They also have an anti tilt

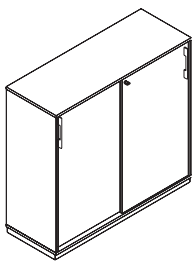
locking system to prevent all drawers from being pulled out at the same time. The key locks have two folding keys, replaceable lock cylinders and a master key system. The 15 mm gap between the drawer front and the body serves as a handle.

## 10. Cabinets

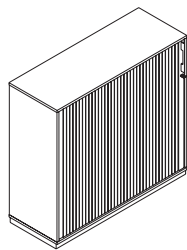
The cabinets (and wardrobes) offered by the SQart system are available with a metal plinth base or plastic feet, both options are equipped with metal levelling feet. All cabinets are 445 mm deep.

Wardrobes are also available with a depth of 600 mm. Metal handles as a standard. Play&Work wooden handles as an option available in four finishes: beech, white beech, black beech or oak.

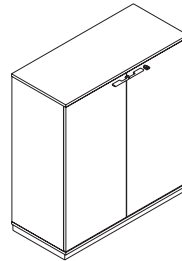
There are eight cabinet types:



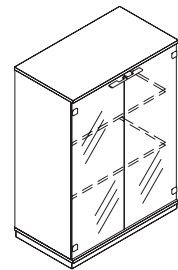
Sliding door



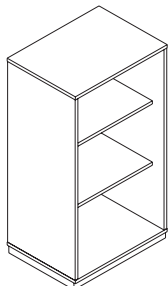
Tambour door



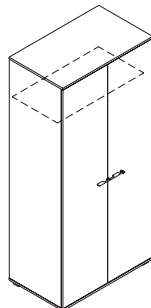
Hinged door



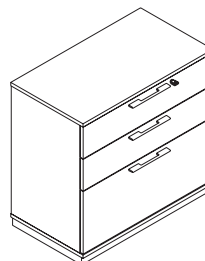
Glass hinged door



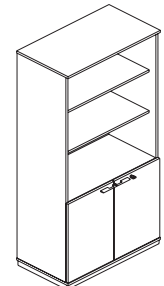
Open cabinets



Wardrobes



Drawer cabinets



Combi cabinets

# Description

The cabinet carcass and tops are made of 18 mm chipboard and the back is made of 12 mm chipboard. The cabinets are made of melamine faced chipboard. Cabinets are equipped with locks and two folding keys. Replaceable lock cylinders and a master key system are available. Cabinets with sliding doors are equipped with aluminium slides. The sliding system allows for the doors to be levelled. The hinged door cabinets have quick-assembly hinges with the easy adjustment feature and are equipped with a soft-close system. Cabinets up to the height of 30H have a single-point lock, cabinets between 4 and 60H have an espagnolette multi lock. Glass hinged door cabinets do not have locks. The glass door is made of 6 mm hardened satin glass. The bottom

and hanging file drawers are made of metal and can be fully extended on ball-bearing slides. Tambour door cabinets are opened vertically and equipped with white or aluminium tambours. The tambour slat width is 30 mm.

The SQart system offers four types of cabinet shelves:

- shelves made of 18 mm chipboard, with a load bearing capacity of 75 kg per 1 m<sup>2</sup>
- shelves made of 25 mm chipboard, with a load bearing capacity of 125 kg per 1 m<sup>2</sup>
- shelves made of 18 mm chipboard, reinforced with a steel profile, colour RAL 9006, load bearing capacity of 75 kg per 1 m<sup>2</sup>. 1000 mm wide shelves are available only as a standard cabinet accessory.

- for 600, 800 and 1000 mm wide cabinets - 25 mm thick metal shelves made of 0,8 mm sheet metal, colour RAL 7037 have load bearing capacity is 125 kg per 1 m<sup>2</sup>.

The SQart system also offers upholstered sound-absorbing covers that are assembled at the cabinet's back. The covers are made of chipboard, thickness 18 mm and 8 mm. They are filled with sound-absorbing polyester non-woven fabric covered with Blazer upholstery. The covers are available for cabinets with the following heights: from 30H to 50H and widths: 800, 1000 and 1200 mm. The covers are not only aesthetically pleasing, but they also significantly improve acoustic comfort of a room.

## 11. Upper cabinets

The system offers add on upper cabinets for the following cabinet types:

- sliding door
- hinged door
- glass door
- tambour door

- open cabinets

Add on upper cabinet carcass and top are made of 18 mm chipboard while the back is made of 12 mm chipboard. The structure of the upper cabinets makes it possible to combine them with

all other types of cabinets up to the height of 5 or 60H. Only 1 add on upper cabinet can be placed on top of a standard cabinet. All cabinets and cabinets with upper cabinets with a height of 5 and 60H should be fixed to the wall using special angle brackets.

## 12. Cabinet + Upper cabinet

### Please note

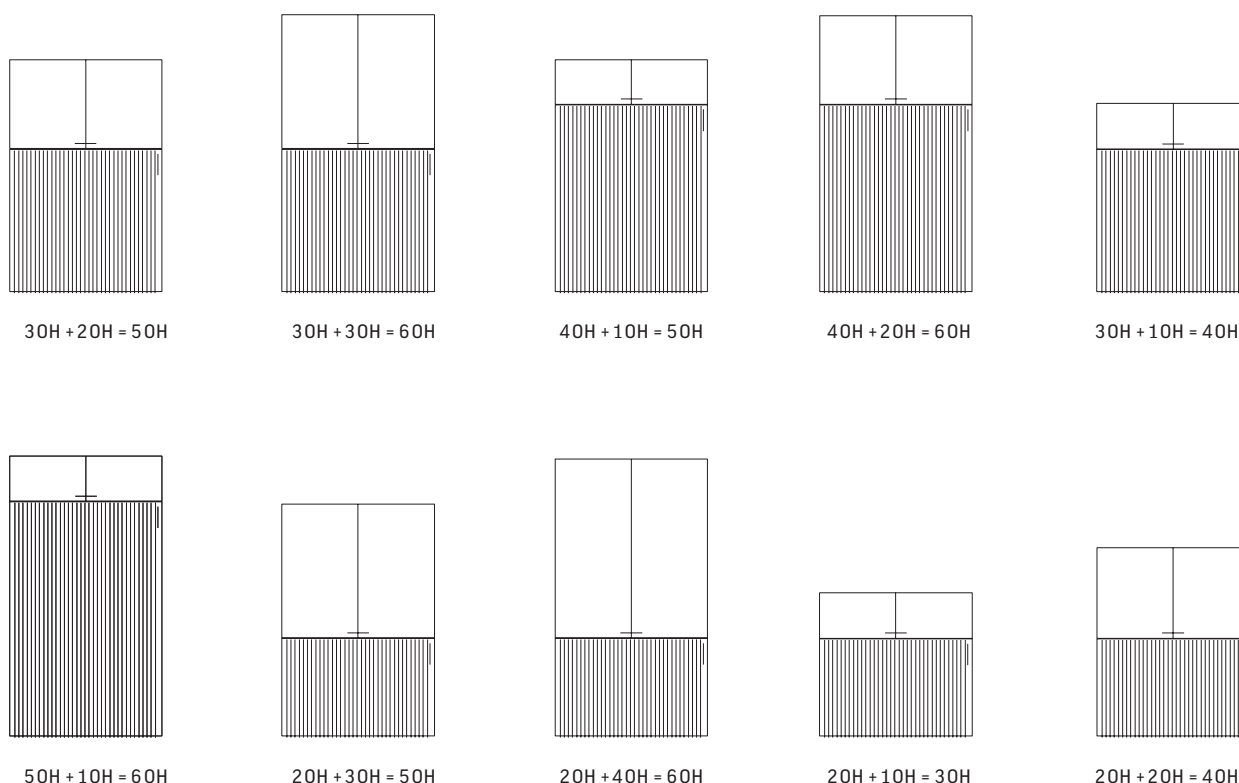
When ordering a SQart system cabinet and upper cabinet there are three elementary rules to keep in mind:

1. The maximum height of a cabinet + upper cabinet set is 60H.
2. Only an upper cabinet of the same width as the

base cabinet can be placed on top of the base cabinet.

3. Not every set of cabinet and upper cabinet is exactly 60H high, which is important when placing such a set next to a cabinet that is 60H high.

These disparities are illustrated in the drawing below:



## 13. Auxiliary furniture

**Mobile tables** – the SQart system offers mobile tables with the following tops:

- 600 × 600 mm and 800 × 800 mm square tops
- 600 mm Ø and 800 mm Ø round tops

Mobile table tops are made of 25 mm melamine board. Tables are equipped with 4 lockable castors. Table heights: fixed – 740 mm, with pneumatic height adjustment with a range of 720-1120 mm.

**Caddy** – multi-purpose mobile cabinet available in two versions:

- Three "push to open" drop down fronts have independent single-point locks. The top door has 2 brackets allowing the open door to be used as a work surface.
- Tambour door and a shelf – the tambour door covers two storage areas with shelves and the third is open.

The tops and shelves are made of 25 mm chipboard, with melamine on both sides. The carcass is 18 mm thick. The caddy is fitted with locks for which there are two folding keys, replaceable lock cylinders and a master key system.

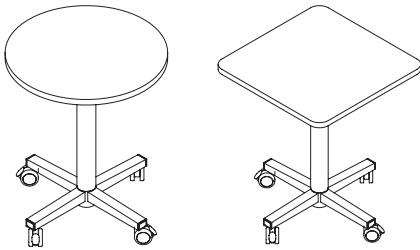
**Sideboards** – SQart system offers mobile sideboards made of 18 mm thick chipboard melaminated on both sides. The sideboards come with five 65 mm diameter castors, two front castors with brakes.

SQart mobile sideboard is available in three models:

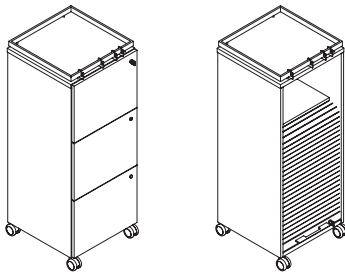
- 2 hinged doors + 2 drawers
- 2 hinged doors + 3 drawers
- 3 hinged doors.

The SQart mobile sideboard model with drawers has metal drawers with soft-close mechanism and stop control plus function (only one drawer can be pulled out at a time and pulling out of all drawers can be locked after the piece is tilted). All drawers can be pulled out 80%. The sideboard with drawers has a built-in pencil drawer available after opening of top drawer, as a standard feature.

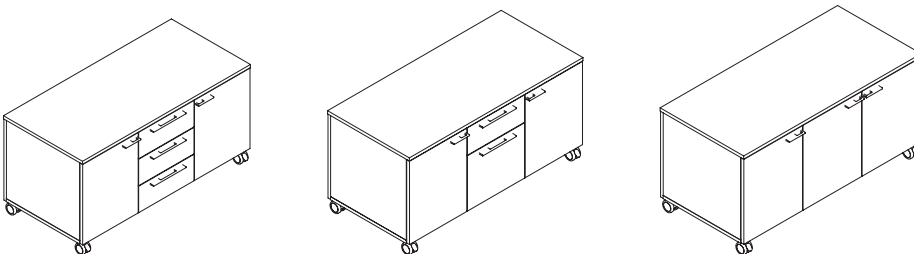
The sideboard comes with a lock with two folding keys, a replaceable insert and a master key system.



Mobile tables



Caddy



Sideboards

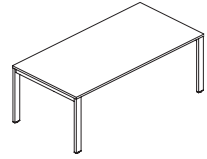


# Price list





Rectangular desks with 4 metal rectangular legs  
base without ID cover panel, height 740 mm

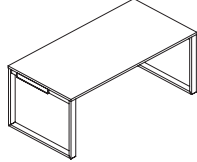
										Outlet for cables - left and right		Melamine + 1			
										Outlet for cables - left		Melamine + 1			
										Outlet for cables - right		N fixed top			
										Outlet for cables - middle		S sliding top			
										Without outlet for cables					
										N Fixed top					
										S Sliding top					
<b>Top</b>										<b>width</b>		<b>depth</b>			
W	N	S	R	0	5	N	N	N	Z	1200 mm		600 mm		126	213
W	N	S	R	0	7	N	N	N	Z	1400 mm				152	240
W	N	S	R	0	9	N	N	N	Z	1600 mm		For base type : <b>A</b>		158	245
W	N	S	R	0	6	N	N	N	Z	1200 mm				139	240
W	N	S	R	0	8	N	N	N	Z	1400 mm		800 mm		175	276
W	N	S	R	1	0	N	N	N	Z	1600 mm				181	282
W	N	S	R	1	2	N	N	N	Z	1800 mm				197	298
W	N	S	R	1	4	N	N	N	Z	2000 mm		For base type : <b>C</b>		206	307
<b>L</b> 2 mm laser edge for selected melamine decors: NB, NJ, NH, BI, MP, MB - surcharge 25 EUR										<b>Z</b> Top with fixed frame					

										0 For top without outlet for cables		AL, CZ, BI		base (desk's depth)		
										1 For top with one outlet for cables*						
										2 For top with two outlets for cables*						
<b>Base (Legs)</b>																
W	N	S	N	B	A	2	N	0	S	N	Without height adjustment		<b>A</b>		104	600 × 600
W	N	S	N	B	A	2	H	0	S	N	With manual height adj. (640-860 mm)				204	
W	N	S	N	B	C	2	N	0	S	N	Without height adjustment		<b>C</b>		113	800 × 800
W	N	S	N	B	C	2	H	0	S	N	With manual height adj. (640-860 mm)				213	

\* Colour of the cable outlet always matching the base colour



Rectangular desks with O legs, height 740 mm

										<b>Melamine + 1</b>			
										<b>N</b> fixed top	<b>S</b> sliding top		
													
<b>Top</b>										<b>width</b>	<b>depth</b>		
<b>D</b>	Outlet for cables - left and right												
<b>L</b>	Outlet for cables - left												
<b>R</b>	Outlet for cables - right												
<b>M</b>	Outlet for cables - middle												
<b>N</b>	Without outlet for cables												
	<b>N</b>	Fixed top											
	<b>S</b>	Sliding top											
<b>W</b>	<b>N</b>	<b>S</b>	<b>R</b>	<b>0</b>	<b>6</b>	<b>N</b>	<b>N</b>	<b>N</b>	<b>Z</b>	1200 mm	800 mm	139	240
<b>W</b>	<b>N</b>	<b>S</b>	<b>R</b>	<b>0</b>	<b>8</b>	<b>N</b>	<b>N</b>	<b>N</b>	<b>Z</b>	1400 mm		175	276
<b>W</b>	<b>N</b>	<b>S</b>	<b>R</b>	<b>1</b>	<b>0</b>	<b>N</b>	<b>N</b>	<b>N</b>	<b>Z</b>	1600 mm		181	282
<b>W</b>	<b>N</b>	<b>S</b>	<b>R</b>	<b>1</b>	<b>2</b>	<b>N</b>	<b>N</b>	<b>N</b>	<b>Z</b>	1800 mm		197	298
<b>W</b>	<b>N</b>	<b>S</b>	<b>R</b>	<b>1</b>	<b>4</b>	<b>N</b>	<b>N</b>	<b>N</b>	<b>Z</b>	2000 mm		For base type: <b>C</b>	206
<b>W</b>	<b>N</b>	<b>S</b>	<b>R</b>	<b>2</b>	<b>5</b>	<b>N</b>	<b>N</b>	<b>N</b>	<b>Z</b>	1400 mm	1000 mm	177	299
<b>W</b>	<b>N</b>	<b>S</b>	<b>R</b>	<b>2</b>	<b>6</b>	<b>N</b>	<b>N</b>	<b>N</b>	<b>Z</b>	1600 mm		186	308
<b>W</b>	<b>N</b>	<b>S</b>	<b>R</b>	<b>2</b>	<b>7</b>	<b>N</b>	<b>N</b>	<b>N</b>	<b>Z</b>	1800 mm		199	320
<b>W</b>	<b>N</b>	<b>S</b>	<b>R</b>	<b>2</b>	<b>8</b>	<b>N</b>	<b>N</b>	<b>N</b>	<b>Z</b>	2000 mm		For base type: <b>E</b>	208
<b>L</b>	2 mm laser edge for selected melamine decors: NB, NJ, NH, BI, MP, MB - surcharge 25 EUR									<b>Z</b>	Top with fixed frame		

										<b>AL, CZ, BI</b>		<b>base (desk's depth)</b>		
										<b>0</b>	For top without outlet for cables			
<b>1</b>	For top with one outlet for cables*													
<b>2</b>	For top with two outlets for cables*													
<b>Base (Legs)</b>														
<b>W</b>	<b>N</b>	<b>S</b>	<b>N</b>	<b>B</b>	<b>C</b>	<b>6</b>	<b>N</b>	<b>0</b>	<b>N</b>	<b>N</b>	Without height adjustment	<b>C</b>	161	800 × 800
<b>W</b>	<b>N</b>	<b>S</b>	<b>N</b>	<b>B</b>	<b>C</b>	<b>6</b>	<b>H</b>	<b>0</b>	<b>N</b>	<b>N</b>	With manual height adj. (640-860 mm)		262	
<b>W</b>	<b>N</b>	<b>S</b>	<b>N</b>	<b>B</b>	<b>E</b>	<b>6</b>	<b>N</b>	<b>0</b>	<b>N</b>	<b>N</b>	Without height adjustment	<b>E</b>	169	1000 × 1000
<b>W</b>	<b>N</b>	<b>S</b>	<b>N</b>	<b>B</b>	<b>E</b>	<b>6</b>	<b>H</b>	<b>0</b>	<b>N</b>	<b>N</b>	With manual height adj. (640-860 mm)		270	

\* Colour of the cable outlet always matching the base colour

# Desks

## Rectangular desks with 0 legs base without ID cover panel, height 740 mm

												<b>Melamine + 1</b>	
												<b>N</b> fixed top	<b>S</b> sliding top
												<b>width</b>	<b>depth</b>
<b>W</b>	<b>N</b>	<b>S</b>	<b>R</b>	<b>0</b>	<b>5</b>	<b>N</b>	<b>N</b>	<b>N</b>	<b>Z</b>	1200mm	600 mm	126	213
<b>W</b>	<b>N</b>	<b>S</b>	<b>R</b>	<b>0</b>	<b>7</b>	<b>N</b>	<b>N</b>	<b>N</b>	<b>Z</b>	1400mm		152	240
<b>W</b>	<b>N</b>	<b>S</b>	<b>R</b>	<b>0</b>	<b>9</b>	<b>N</b>	<b>N</b>	<b>N</b>	<b>Z</b>	1600mm		For base type: <b>A</b>	158
<b>W</b>	<b>N</b>	<b>S</b>	<b>R</b>	<b>0</b>	<b>6</b>	<b>N</b>	<b>N</b>	<b>N</b>	<b>Z</b>	1200mm	800 mm	139	240
<b>W</b>	<b>N</b>	<b>S</b>	<b>R</b>	<b>0</b>	<b>8</b>	<b>N</b>	<b>N</b>	<b>N</b>	<b>Z</b>	1400mm		175	276
<b>W</b>	<b>N</b>	<b>S</b>	<b>R</b>	<b>1</b>	<b>0</b>	<b>N</b>	<b>N</b>	<b>N</b>	<b>Z</b>	1600mm		181	282
<b>W</b>	<b>N</b>	<b>S</b>	<b>R</b>	<b>1</b>	<b>2</b>	<b>N</b>	<b>N</b>	<b>N</b>	<b>Z</b>	1800mm		197	298
<b>W</b>	<b>N</b>	<b>S</b>	<b>R</b>	<b>1</b>	<b>4</b>	<b>N</b>	<b>N</b>	<b>N</b>	<b>Z</b>	2000mm		For base type: <b>C</b>	206
<b>L</b>	2 mm laser edge for selected melamine decors: NB, NJ, NH, BI, MP, MB - surcharge 25 EUR									<b>Z</b>	Top with fixed frame		

												<b>AL, CZ, BI</b>	<b>base (desk's depth)</b>	
												<b>0</b>		
												<b>1</b>		
												<b>2</b>		
<b>Base (Legs)</b>														
<b>W</b>	<b>N</b>	<b>S</b>	<b>N</b>	<b>B</b>	<b>A</b>	<b>6</b>	<b>N</b>	<b>0</b>	<b>S</b>	<b>N</b>	Without height adjustment	<b>A</b>	139	600 × 600
<b>W</b>	<b>N</b>	<b>S</b>	<b>N</b>	<b>B</b>	<b>A</b>	<b>6</b>	<b>H</b>	<b>0</b>	<b>S</b>	<b>N</b>	With manual height adj. (640-860 mm)		242	
<b>W</b>	<b>N</b>	<b>S</b>	<b>N</b>	<b>B</b>	<b>C</b>	<b>6</b>	<b>N</b>	<b>0</b>	<b>S</b>	<b>N</b>	Without height adjustment	<b>C</b>	154	800 × 800
<b>W</b>	<b>N</b>	<b>S</b>	<b>N</b>	<b>B</b>	<b>C</b>	<b>6</b>	<b>H</b>	<b>0</b>	<b>S</b>	<b>N</b>	With manual height adj. (640-860 mm)		258	

\* Colour of the cable outlet always matching the base colour

Rectangular desks with 2 metal legs, C leg, or O leg + Big Orga Tower, height 740 mm

<b>Top</b>	<b>D</b>	Outlet for cables - left and right	<b>Melamine + 1</b>
	<b>L</b>	Outlet for cables - left	
	<b>R</b>	Outlet for cables - right	
	<b>M</b>	Outlet for cables - middle	
	<b>N</b>	Without outlet for cables	

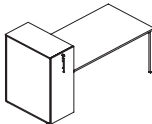
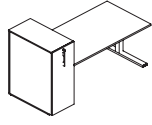
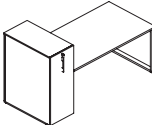
Big Orga Tower h = 1117 mm										width	depth	
<b>W</b>	<b>N</b>	<b>S</b>	<b>R</b>	<b>0 6</b>	<b>N</b>	<b>N</b>	<b>N</b>	<b>Z</b>	1200mm+BOT (400mm)	800mm		139
<b>W</b>	<b>N</b>	<b>S</b>	<b>R</b>	<b>0 8</b>	<b>N</b>	<b>N</b>	<b>N</b>	<b>Z</b>	1400mm+BOT (400mm)			175
<b>W</b>	<b>N</b>	<b>S</b>	<b>R</b>	<b>1 0</b>	<b>N</b>	<b>N</b>	<b>N</b>	<b>Z</b>	1600mm+BOT (400mm)	<b>S</b>		181

**L** 2 mm laser edge for selected melamine decors: NB, NJ, NH, BI, MP, MB – surcharge 25 EUR

**Z** Top with fixed frame

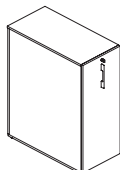
**0** For top without outlet for cables  
**1** For top with one outlet for cables\*  
**2** For top with two outlets for cables\*

**L** Left Orga Tower  
**R** Right Orga Tower

Base (Legs)											AL, CZ, BI	BOT + 1		
<b>W</b>	<b>N</b>	<b>S</b>	<b>N</b>	<b>0</b>	<b>S</b>	<b>2</b>	<b>N</b>	<b>0</b>	<b>L</b>	<b>N</b>	Big Orga Tower + 2 metal legs		<b>S</b>	466
<b>W</b>	<b>N</b>	<b>S</b>	<b>N</b>	<b>0</b>	<b>S</b>	<b>3</b>	<b>N</b>	<b>0</b>	<b>L</b>	<b>N</b>	Big Orga Tower + C leg		<b>S</b>	515
<b>W</b>	<b>N</b>	<b>S</b>	<b>N</b>	<b>0</b>	<b>S</b>	<b>6</b>	<b>N</b>	<b>0</b>	<b>L</b>	<b>N</b>	Big Orga Tower + O leg		<b>S</b>	499

Left Orga Tower on the drawing

Freestanding Big Orga Tower

										<b>Melamine + 1</b>		
<b>W</b>	<b>N</b>	<b>S</b>	<b>0</b>	<b>C</b>	<b>4 3 8</b>	<b>L</b>	<b>A</b>	<b>U</b>	<b>Z</b>	height: 1117mm, width: 400mm, depth: 800mm		435
										<b>L</b>	Left Orga Tower	
										<b>R</b>	Right Orga Tower	

# Desks

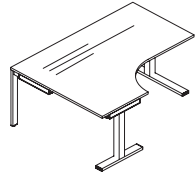
L shaped desks with 5 metal rectangular legs, height 740 mm

Top										width	depth	Melamine + 1		
<b>D</b>										Outlet for cables - left and right				
<b>L</b>										Outlet for cables - left				
<b>R</b>										Outlet for cables - right				
<b>M</b>										Outlet for cables - middle				
<b>N</b>										Without outlet for cables				
								<b>L</b>	Left desk					
								<b>R</b>	Right desk					
<b>W</b>	<b>N</b>	<b>S</b>	<b>L</b>	<b>1</b>	<b>2</b>	<b>N</b>	<b>N</b>	<b>L</b>	<b>Z</b>	1600 × 1200 mm	800/600 mm	340		
<b>W</b>	<b>N</b>	<b>S</b>	<b>L</b>	<b>1</b>	<b>5</b>	<b>N</b>	<b>N</b>	<b>L</b>	<b>Z</b>	1800 × 1200 mm		353		
<b>W</b>	<b>N</b>	<b>S</b>	<b>L</b>	<b>1</b>	<b>8</b>	<b>N</b>	<b>N</b>	<b>L</b>	<b>Z</b>	2000 × 1200 mm		For base type: <b>K</b>	370	
<b>L</b>									2 mm laser edge for selected melamine decors: NB, NJ, NH, BI, MP, MB - surcharge 25 EUR		<b>Z</b>	Top with fixed frame	Left version on the drawing	

Base (Legs)											AL, CZ, BI		
									<b>0</b>	For top without outlet for cables			
									<b>1</b>	For top with one outlet for cables*			
									<b>2</b>	For top with two outlets for cables*			
<b>W</b>	<b>N</b>	<b>S</b>	<b>N</b>	<b>B</b>	<b>K</b>	<b>2</b>	<b>N</b>	<b>0</b>	<b>N</b>	<b>N</b>	Without height adjustment	150	
<b>W</b>	<b>N</b>	<b>S</b>	<b>N</b>	<b>B</b>	<b>K</b>	<b>2</b>	<b>H</b>	<b>0</b>	<b>N</b>	<b>N</b>	With manual height adj. (640-860 mm)	<b>K</b>	260

\*Colour of the cable outlet always matching the base colour

L shaped desks with C legs, height 740 mm

										<b>D</b>	Outlet for cables - left and right			<b>Melamine + 1</b>
										<b>L</b>	Outlet for cables - left			
										<b>R</b>	Outlet for cables - right			
										<b>M</b>	Outlet for cables - middle			
										<b>N</b>	Without outlet for cables			
										<b>N</b>	Fixed top			
										<b>L</b>	Left desk			
										<b>R</b>	Right desk			
<b>Top</b>												<b>width</b>	<b>depth</b>	
<b>W</b>	<b>N</b>	<b>S</b>	<b>L</b>	<b>1</b>	<b>2</b>	<b>N</b>	<b>N</b>	<b>L</b>	<b>Z</b>	1600 × 1200 mm	800/600 mm	340		
<b>W</b>	<b>N</b>	<b>S</b>	<b>L</b>	<b>1</b>	<b>5</b>	<b>N</b>	<b>N</b>	<b>L</b>	<b>Z</b>	1800 × 1200 mm		353		
<b>W</b>	<b>N</b>	<b>S</b>	<b>L</b>	<b>1</b>	<b>8</b>	<b>N</b>	<b>N</b>	<b>L</b>	<b>Z</b>	2000 × 1200 mm	For base type: <b>K</b>	370		
<b>L</b>	2 mm laser edge for selected melamine decors: NB, NJ, NH, BI, MP, MB - surcharge 25 EUR									<b>Z</b>	Top with fixed frame		Left version on the drawing	

										<b>0</b>	For top without outlet for cables			<b>AL, CZ, BI</b>
										<b>1</b>	For top with one outlet for cables*			
										<b>2</b>	For top with two outlets for cables*			
<b>Base (Legs)</b>														
<b>W</b>	<b>N</b>	<b>S</b>	<b>N</b>	<b>B</b>	<b>K</b>	<b>3</b>	<b>N</b>	<b>0</b>	<b>N</b>	<b>N</b>	Without height adjustment	225		
<b>W</b>	<b>N</b>	<b>S</b>	<b>N</b>	<b>B</b>	<b>K</b>	<b>3</b>	<b>H</b>	<b>0</b>	<b>N</b>	<b>N</b>	With manual height adj. (680-820 mm)	<b>K</b> 268		

\* Colour of the cable outlet always matching the base colour

# Desks

Desks with 4 metal rectangular legs, other desks shapes, height 740 mm

										Melamine + 1			
										N	S		
										fixed top	sliding top		
										single wave desks			
<b>D</b>	Outlet for cables – left and right												
<b>L</b>	Outlet for cables – left												
<b>R</b>	Outlet for cables – right												
<b>M</b>	Outlet for cables – middle												
<b>N</b>	Without outlet for cables												
	<b>N</b>	Fixed top											
	<b>S</b>	Sliding top											
		<b>L</b>	Left desk										
		<b>R</b>	Right desk										
Top										width	depth		
<b>W</b>	<b>N</b>	<b>S</b>	<b>V</b>	<b>0</b>	<b>8</b>	<b>N</b>	<b>N</b>	<b>L</b>	<b>Z</b>	1400mm	1000/800mm	191	298
<b>W</b>	<b>N</b>	<b>S</b>	<b>V</b>	<b>1</b>	<b>0</b>	<b>N</b>	<b>N</b>	<b>L</b>	<b>Z</b>	1600mm	For base type: <b>J</b>	199	306
										double wave desks			
<b>W</b>	<b>N</b>	<b>S</b>	<b>D</b>	<b>2</b>	<b>1</b>	<b>N</b>	<b>N</b>	<b>N</b>	<b>Z</b>	1400mm		190	301
<b>W</b>	<b>N</b>	<b>S</b>	<b>D</b>	<b>2</b>	<b>2</b>	<b>N</b>	<b>N</b>	<b>N</b>	<b>Z</b>	1600mm	900/900mm	199	310
<b>W</b>	<b>N</b>	<b>S</b>	<b>D</b>	<b>2</b>	<b>3</b>	<b>N</b>	<b>N</b>	<b>N</b>	<b>Z</b>	1800mm		214	325
<b>W</b>	<b>N</b>	<b>S</b>	<b>D</b>	<b>2</b>	<b>4</b>	<b>N</b>	<b>N</b>	<b>N</b>	<b>Z</b>	2000mm	For base type: <b>I</b>	222	334
<b>L</b>	2 mm laser edge for selected melamine decors: NB, NJ, NH, BI, MP, MB – surcharge 25 EUR									<b>Z</b>	Top with fixed frame		

										AL, CZ, BI	base (desk's depth)		
					<b>0</b>	For top without outlet for cables							
					<b>1</b>	For top with one outlet for cables*							
					<b>2</b>	For top with two outlets for cables*							
Base (Legs)													
<b>W</b>	<b>N</b>	<b>S</b>	<b>N</b>	<b>B</b>	<b>J</b>	<b>2</b>	<b>N</b>	<b>0</b>	<b>N</b>	<b>N</b>	Without height adjustment	113	1000 × 800
<b>W</b>	<b>N</b>	<b>S</b>	<b>N</b>	<b>B</b>	<b>J</b>	<b>2</b>	<b>H</b>	<b>0</b>	<b>N</b>	<b>N</b>	With manual height adj. (640-860 mm)	206	
<b>W</b>	<b>N</b>	<b>S</b>	<b>N</b>	<b>B</b>	<b>I</b>	<b>2</b>	<b>N</b>	<b>0</b>	<b>N</b>	<b>N</b>	Without height adjustment	118	900 × 900
<b>W</b>	<b>N</b>	<b>S</b>	<b>N</b>	<b>B</b>	<b>I</b>	<b>2</b>	<b>H</b>	<b>0</b>	<b>N</b>	<b>N</b>	With manual height adj. (640-860 mm)	211	

\* Colour of the cable outlet always matching the base colour



Desks with C legs – other desks shapes, height 740 mm

										Outlet for cables		Melamine + 1						
										D	L							
										Outlet for cables – left and right		Melamine + 1	Melamine + 1					
										Outlet for cables – left		N	S					
										Outlet for cables – right		fixed top	sliding top					
										Outlet for cables – middle								
										Without outlet for cables								
										N	S							
										Fixed top								
										Sliding top								
										L	R							
										Left desk								
										Right desk								
										width		depth						
										single wave desks								
Top	W	N	S	V	0	8	N	N	L	Z	1400 mm	1000/800 mm	191	298				
	W	N	S	V	1	0	N	N	L	Z	1600 mm	For base type: J	199	306				
	Left version on the drawing																	
										double wave desks								
Top	W	N	S	D	2	1	N	N	N	Z	1400 mm	900/900 mm	190	301				
	W	N	S	D	2	2	N	N	N	Z	1600 mm		199	310				
	W	N	S	D	2	3	N	N	N	Z	1800 mm		214	325				
	W	N	S	D	2	4	N	N	N	Z	2000 mm	For base type: D	222	334				
	L	2 mm laser edge for selected melamine decors: NB, NJ, NH, BI, MP, MB – surcharge 25 EUR												Z	Top with fixed frame		Left version on the drawing	

										Outlet for cables		AL, CZ, BI		base (desk's depth)	
										0	1				
										For top without outlet for cables					
										For top with one outlet for cables*					
										For top with two outlets for cables*					
										L	R				
										Left desk					
										Right desk					
Base (Legs)	W	N	S	N	B	J	3	N	O	L	N	Without height adjustment	202	1000 × 800	
	W	N	S	N	B	J	3	H	O	L	N	With manual height adj. (680–820 mm)	225		
Base (Legs)	W	N	S	N	B	D	3	N	O	N	N	Without height adjustment	206	900 × 900	
	W	N	S	N	B <td>D <td>3</td> <td>H</td> <td>O</td> <td>N <td>N</td> <td>With manual height adj. (680–820 mm)</td> <td>227</td> <td>D</td> </td></td>	D <td>3</td> <td>H</td> <td>O</td> <td>N <td>N</td> <td>With manual height adj. (680–820 mm)</td> <td>227</td> <td>D</td> </td>	3	H	O	N <td>N</td> <td>With manual height adj. (680–820 mm)</td> <td>227</td> <td>D</td>	N	With manual height adj. (680–820 mm)	227		

\* Colour of the cable outlet always matching the base colour

# Desks

Single wave desks with 0 legs, height 740 mm

												<b>Melamine + 1</b>			
												<b>N fixed top</b>		<b>S sliding top</b>	
												<b>width</b>		<b>depth</b>	
												1400 mm		1000/800 mm	
												1600 mm		For base type: J	
												191		298	
												199		306	

<b>D</b>	Outlet for cables – left and right
<b>L</b>	Outlet for cables – left
<b>R</b>	Outlet for cables – right
<b>M</b>	Outlet for cables – middle
<b>N</b>	Without outlet for cables

<b>N</b>	Fixed top
<b>S</b>	Sliding top

<b>L</b>	Left desk
<b>R</b>	Right desk

**Top**

<b>W</b>	<b>N</b>	<b>S</b>	<b>V</b>	<b>0</b>	<b>8</b>	<b>N</b>	<b>N</b>	<b>L</b>	<b>Z</b>	1400 mm		1000/800 mm For base type: J
<b>W</b>	<b>N</b>	<b>S</b>	<b>V</b>	<b>1</b>	<b>0</b>	<b>N</b>	<b>N</b>	<b>L</b>	<b>Z</b>	1600 mm		

**L** 2 mm laser edge for selected melamine decors: NB, NJ, NH, BI, MP, MB – surcharge 25 EUR

**Z** Top with fixed frame

Left version on the drawing

												<b>AL, CZ, BI</b>		<b>base (desk's depth)</b>	
												J		1000 × 800	
												266			

												<b>0</b>	
												<b>1</b>	
												<b>2</b>	

												Without height adjustment	
												With manual height adj. (640–860 mm)	

\*Colour of the cable outlet always matching the base colour

## Angled desks (120 deg.) with 5 metal rectangular legs, height 740 mm

													<b>Melamine + 1</b>	
													<b>fixed top</b>	
											<b>width</b>	<b>depth</b>		
<b>L</b>											Outlet for cables - left			
											Outlet for cables - right			
											Outlet for cables - middle			
											Without outlet for cables			
<b>Top</b>														
<b>W</b>	<b>N</b>	<b>S</b>	<b>E</b>	<b>3</b>	<b>0</b>	<b>N</b>	<b>N</b>	<b>N</b>	<b>Z</b>		1200 × 1200 mm	800/800mm		472
<b>W</b>	<b>N</b>	<b>S</b>	<b>E</b>	<b>3</b>	<b>1</b>	<b>N</b>	<b>N</b>	<b>N</b>	<b>Z</b>		1400 × 1400 mm	For base type: <b>M</b>		479
	<b>L</b>									<b>Z</b>				

2 mm laser edge for selected melamine decors: NB, NJ, NH, BI, MP, MB – surcharge 25 EUR

Top with fixed frame

													<b>AL, CZ, BI</b>
											<b>0</b>		
											<b>1</b>		
											<b>2</b>		
<b>Base (Legs)</b>													
<b>W</b>	<b>N</b>	<b>S</b>	<b>N</b>	<b>B</b>	<b>M</b>	<b>2</b>	<b>N</b>	<b>0</b>	<b>N</b>	<b>N</b>	Without height adjustment	<b>M</b>	150

For top without outlet for cables  
 For top with one outlet for cables\*  
 For top with two outlets for cables\*

\*Colour of the cable outlet always matching the base colour

# Workbench

## Workbench - base modular unit - 4 rectangular legs, height 740 mm

											description - page 170													
											N	Without slot			Melamine + 1									
											L	2 left slots			sliding tops									
											R	2 right slots												
											T	Slot left and right												
											M	2 central slots												
													width	depth										
<b>Tops</b>											W	N	S	WB		0	5	N	S	N	Z	1200 mm	2 x 600 mm	329
											W	N	S	WB	0	7	N	S	N	Z	1400 mm	375		
											W	N	S	WB	0	9	N	S	N	Z	1600 mm	For base type: <b>N</b>		383
											W	N	S	WB	0	8	N	S	N	Z	1400 mm	2 x 800 mm	452	
											W	N	S	WB	1	0	N	S	N	Z	1600 mm		For base type: <b>O</b>	460
											L	2 mm laser edge for selected melamine decors: NB, NJ, NH, BI, MP, MB - surcharge 50 EUR										Z	Top with fixed frame	

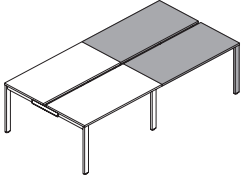
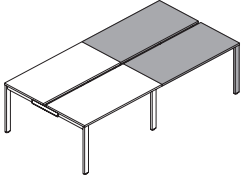
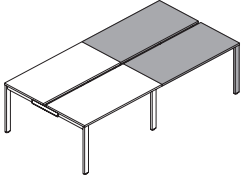
<b>Base (Legs)</b>													AL, CZ, BI
W	N	S	N	W	N	2	N	O	N	N	Without height adjustment	<b>N</b>	116
W	N	S	N	W	O	2	N	O	N	N	Without height adjustment	<b>O</b>	147

## Workbench - additional unit - 6 rectangular legs with option for side table panel fixing, height 740 mm

											description - page 170													
											N	Without slot			Melamine + 1									
											L	2 left slots			sliding tops									
											R	2 right slots												
											T	Slot left and right												
											M	2 central slots												
													width	depth										
<b>Tops</b>											W	N	S	WB		0	5	N	S	N	Z	1200 mm	2 x 600 mm	329
											W	N	S	WB	0	7	N	S	N	Z	1400 mm	375		
											W	N	S	WB	0	9	N	S	N	Z	1600 mm	For base type: <b>W</b>		383
											W	N	S	WB	0	8	N	S	N	Z	1400 mm	2 x 800 mm	452	
											W	N	S	WB	1	0	N	S	N	Z	1600 mm		For base type: <b>X</b>	460
											L	2 mm laser edge for selected melamine decors: NB, NJ, NH, BI, MP, MB - surcharge 50 EUR										Z	Top with fixed frame	

<b>Base (Legs)</b>													AL, CZ, BI
W	N	S	N	W	W	2	N	O	N	N	Without height adjustment	<b>W</b>	110
W	N	S	N	W	X	2	N	O	N	N	Without height adjustment	<b>X</b>	114

## Workbench – additional unit – 6 rectangular legs without option for side table panel fixing, height 740 mm

										description – page 170		<b>N</b>	Without slot	<table border="1"> <tr><td colspan="2"><b>Melamine + 1</b></td></tr> <tr><td colspan="2"><b>sliding tops</b></td></tr> <tr><td colspan="2"></td></tr> </table>	<b>Melamine + 1</b>		<b>sliding tops</b>			
												<b>Melamine + 1</b>								
<b>sliding tops</b>																				
																				
<b>L</b>	2 left slots																			
<b>R</b>	2 right slots																			
<b>T</b>	Slot left and right																			
<b>M</b>	2 central slots																			
<b>Tops</b>										<b>width</b>	<b>depth</b>									
<b>W</b>	<b>N</b>	<b>S</b>	<b>WB</b>	<b>0</b>	<b>5</b>	<b>N</b>	<b>S</b>	<b>N</b>	<b>Z</b>	1200mm	2 × 600mm	329								
<b>W</b>	<b>N</b>	<b>S</b>	<b>WB</b>	<b>0</b>	<b>7</b>	<b>N</b>	<b>S</b>	<b>N</b>	<b>Z</b>	1400mm		375								
<b>W</b>	<b>N</b>	<b>S</b>	<b>WB</b>	<b>0</b>	<b>9</b>	<b>N</b>	<b>S</b>	<b>N</b>	<b>Z</b>	1600mm		For base type: <b>Y</b>	383							
<b>W</b>	<b>N</b>	<b>S</b>	<b>WB</b>	<b>0</b>	<b>8</b>	<b>N</b>	<b>S</b>	<b>N</b>	<b>Z</b>	1400mm	2 × 800mm	452								
<b>W</b>	<b>N</b>	<b>S</b>	<b>WB</b>	<b>1</b>	<b>0</b>	<b>N</b>	<b>S</b>	<b>N</b>	<b>Z</b>	1600mm	For base type: <b>Z</b>	460								
<b>L</b>	2 mm laser edge for selected melamine decors: NB, NJ, NH, BI, MP, MB – surcharge 50 EUR								<b>Z</b>	Top with fixed frame										

<b>Base (Legs)</b>										<b>AL, CZ, BI</b>			
<b>W</b>	<b>N</b>	<b>S</b>	<b>N</b>	<b>W</b>	<b>Y</b>	<b>2</b>	<b>N</b>	<b>0</b>	<b>N</b>	<b>N</b>	Without height adjustment	<b>Y</b>	108
<b>W</b>	<b>N</b>	<b>S</b>	<b>N</b>	<b>W</b>	<b>Z</b>	<b>2</b>	<b>N</b>	<b>0</b>	<b>N</b>	<b>N</b>	Without height adjustment	<b>Z</b>	112

# Workbench

Workbench – base modular unit – 4 rectangular legs, fixed tops with opening flap, height 740 mm

description – page 170

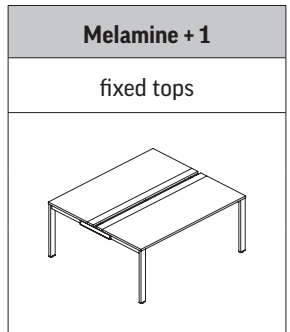
- N** Without slot
- L** 2 left slots
- R** 2 right slots
- T** Slot left and right
- M** 2 central slots
- N** Without table panel fixing possibility
- P** With table panel fixing possibility

### Tops

										width	depth	
<b>W</b>	<b>N</b>	<b>S</b>	<b>WB</b>	<b>0</b>	<b>5</b>	<b>N</b>	<b>N</b>	<b>K</b>	<b>Z</b>	1200 mm	2 × 600 mm	329
<b>W</b>	<b>N</b>	<b>S</b>	<b>WB</b>	<b>0</b>	<b>7</b>	<b>N</b>	<b>N</b>	<b>K</b>	<b>Z</b>	1400 mm		375
<b>W</b>	<b>N</b>	<b>S</b>	<b>WB</b>	<b>0</b>	<b>9</b>	<b>N</b>	<b>N</b>	<b>K</b>	<b>Z</b>	1600 mm		For base type: <b>N</b>
<b>W</b>	<b>N</b>	<b>S</b>	<b>WB</b>	<b>0</b>	<b>8</b>	<b>N</b>	<b>N</b>	<b>K</b>	<b>Z</b>	1400 mm	2 × 800 mm	452
<b>W</b>	<b>N</b>	<b>S</b>	<b>WB</b>	<b>1</b>	<b>0</b>	<b>N</b>	<b>N</b>	<b>K</b>	<b>Z</b>	1600 mm	For base type: <b>0</b>	460

**L** 2 mm laser edge for selected melamine decors: NB, NJ, NH, BI, MP, MB – surcharge 50 EUR

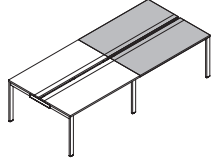
**Z** Top with fixed frame



### Base (Legs)

											AL, CZ, BI		
<b>W</b>	<b>N</b>	<b>S</b>	<b>N</b>	<b>W</b>	<b>N</b>	<b>2</b>	<b>N</b>	<b>0</b>	<b>N</b>	<b>N</b>	Without height adjustment	<b>N</b>	116
<b>W</b>	<b>N</b>	<b>S</b>	<b>N</b>	<b>W</b>	<b>0</b>	<b>2</b>	<b>N</b>	<b>0</b>	<b>N</b>	<b>N</b>	Without height adjustment	<b>0</b>	147

## Workbench – additional unit – 6 rectangular legs With option for side table panel fixing fixed tops with opening flap, height 740 mm

										description – page 170				Melamine + 1			
										N	Without slot				fixed tops		
										L	2 left slots						
										R	2 right slots						
										T	Slot left and right						
										M	2 central slots						
										N	Without table panel fixing possibility						
										P	With table panel fixing possibility						
Tops														width	depth		
W	N	S	WB	0	5	N	N	K	Z					1200 mm	2 × 600 mm	329	
W	N	S	WB	0	7	N	N	K	Z					1400 mm		375	
W	N	S	WB	0	9	N	N	K	Z					1600 mm		For base type: <b>W</b>	383
W	N	S	WB	0	8	N	N	K	Z					1400 mm	2 × 800 mm	452	
W	N	S	WB	1	0	N	N	K	Z					1600 mm	For base type: <b>X</b>	460	
L	2 mm laser edge for selected melamine decors: NB, NJ, NH, BI, MP, MB – surcharge 50 EUR									Z	Top with fixed frame						

Base (Legs)										AL, CZ, BI			
W	N	S	N	W	W	2	N	O	N	N	Without height adjustment	W	110
W	N	S	N	W	X	2	N	O	N	N	Without height adjustment	X	114

# Workbench

Workbench – additional unit – 6 rectangular legs

Without option for side table panel fixing fixed tops with opening flap, height 740 mm

description – page 170

- N** Without slot
- L** 2 left slots
- R** 2 right slots
- T** Slot left and right
- M** 2 central slots
- N** Without table panel fixing possibility
- P** With table panel fixing possibility

<b>Melamine + 1</b>
<b>fixed tops</b>

Tops										width	depth	
<b>W</b>	<b>N</b>	<b>S</b>	<b>WB</b>	<b>0</b>	<b>5</b>	<b>N</b>	<b>N</b>	<b>K</b>	<b>Z</b>	1200mm	2 × 600mm	329
<b>W</b>	<b>N</b>	<b>S</b>	<b>WB</b>	<b>0</b>	<b>7</b>	<b>N</b>	<b>N</b>	<b>K</b>	<b>Z</b>	1400mm		375
<b>W</b>	<b>N</b>	<b>S</b>	<b>WB</b>	<b>0</b>	<b>9</b>	<b>N</b>	<b>N</b>	<b>K</b>	<b>Z</b>	1600mm		For base type: <b>Y</b>
<b>W</b>	<b>N</b>	<b>S</b>	<b>WB</b>	<b>0</b>	<b>8</b>	<b>N</b>	<b>N</b>	<b>K</b>	<b>Z</b>	1400mm	2 × 800mm	452
<b>W</b>	<b>N</b>	<b>S</b>	<b>WB</b>	<b>1</b>	<b>0</b>	<b>N</b>	<b>N</b>	<b>K</b>	<b>Z</b>	1600mm	For base type: <b>Z</b>	460

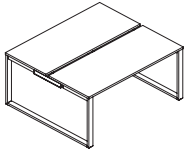
**L** 2 mm laser edge for selected melamine decors: NB, NJ, NH, BI, MP, MB – surcharge 50 EUR

**Z** Top with fixed frame

Base (Legs)											<b>AL, CZ, BI</b>		
<b>W</b>	<b>N</b>	<b>S</b>	<b>N</b>	<b>S</b>	<b>Y</b>	<b>2</b>	<b>N</b>	<b>0</b>	<b>N</b>	<b>N</b>	Without height adjustment	<b>Y</b>	113
<b>W</b>	<b>N</b>	<b>S</b>	<b>N</b>	<b>S</b>	<b>Z</b>	<b>2</b>	<b>N</b>	<b>0</b>	<b>N</b>	<b>N</b>	Without height adjustment	<b>Z</b>	117



## Workbench – base modular unit – 0 legs, height 740 mm

Tops										width	depth	Melamine + 1 sliding tops	
													
<b>W</b>	<b>N</b>	<b>S</b>	<b>WB</b>	<b>0</b>	<b>5</b>	<b>N</b>	<b>S</b>	<b>N</b>	<b>Z</b>	1200 mm	2 × 600 mm		329
<b>W</b>	<b>N</b>	<b>S</b>	<b>WB</b>	<b>0</b>	<b>7</b>	<b>N</b>	<b>S</b>	<b>N</b>	<b>Z</b>	1400 mm			375
<b>W</b>	<b>N</b>	<b>S</b>	<b>WB</b>	<b>0</b>	<b>9</b>	<b>N</b>	<b>S</b>	<b>N</b>	<b>Z</b>	1600 mm	For base type: <b>W/Y</b>	383	
<b>W</b>	<b>N</b>	<b>S</b>	<b>WB</b>	<b>0</b>	<b>8</b>	<b>N</b>	<b>S</b>	<b>N</b>	<b>Z</b>	1400 mm	2 × 800 mm	452	
<b>W</b>	<b>N</b>	<b>S</b>	<b>WB</b>	<b>1</b>	<b>0</b>	<b>N</b>	<b>S</b>	<b>N</b>	<b>Z</b>	1600 mm	For base type: <b>X/Z</b>	460	
<b>L</b>	2 mm laser edge for selected melamine decors: NB, NJ, NH, BI, MP, MB – surcharge 50 EUR								<b>Z</b>	Top with fixed frame			

Base with table panel fixing possibility										AL, CZ, BI			
<b>W</b>	<b>N</b>	<b>S</b>	<b>N</b>	<b>W</b>	<b>W</b>	<b>6</b>	<b>N</b>	<b>0</b>	<b>N</b>	<b>N</b>	Without height adjustment	<b>W</b>	185
<b>W</b>	<b>N</b>	<b>S</b>	<b>N</b>	<b>W</b>	<b>X</b>	<b>6</b>	<b>N</b>	<b>0</b>	<b>N</b>	<b>N</b>	Without height adjustment	<b>X</b>	227

Base without tabel panel fixing possibility													
<b>W</b>	<b>N</b>	<b>S</b>	<b>N</b>	<b>W</b>	<b>Y</b>	<b>6</b>	<b>N</b>	<b>0</b>	<b>N</b>	<b>N</b>	Without height adjustment	<b>Y</b>	183
<b>W</b>	<b>N</b>	<b>S</b>	<b>N</b>	<b>W</b>	<b>Z</b>	<b>6</b>	<b>N</b>	<b>0</b>	<b>N</b>	<b>N</b>	Without height adjustment	<b>Z</b>	225

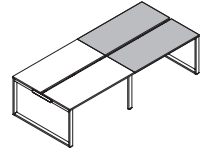
# Workbench

Workbench – additional unit – 0 legs,  
With option for side table panel fixing, height 740 mm

description – page 170

<b>N</b>	Without slot
<b>L</b>	2 left slots
<b>R</b>	2 right slots
<b>T</b>	Slot left and right
<b>M</b>	2 central slots

Tops										width	depth	Melamine + 1
<b>W</b>	<b>N</b>	<b>S</b>	<b>WB</b>	<b>0</b>	<b>5</b>	<b>N</b>	<b>S</b>	<b>N</b>	<b>Z</b>	1200 mm	2 × 600 mm	329
<b>W</b>	<b>N</b>	<b>S</b>	<b>WB</b>	<b>0</b>	<b>7</b>	<b>N</b>	<b>S</b>	<b>N</b>	<b>Z</b>	1400 mm		375
<b>W</b>	<b>N</b>	<b>S</b>	<b>WB</b>	<b>0</b>	<b>9</b>	<b>N</b>	<b>S</b>	<b>N</b>	<b>Z</b>	1600 mm		For base type: <b>W</b>
<b>W</b>	<b>N</b>	<b>S</b>	<b>WB</b>	<b>0</b>	<b>8</b>	<b>N</b>	<b>S</b>	<b>N</b>	<b>Z</b>	1400 mm	2 × 800 mm	452
<b>W</b>	<b>N</b>	<b>S</b>	<b>WB</b>	<b>1</b>	<b>0</b>	<b>N</b>	<b>S</b>	<b>N</b>	<b>Z</b>	1600 mm	For base type: <b>X</b>	460
<b>L</b>	2 mm laser edge for selected melamine decors: NB, NJ, NH, BI, MP, MB – surcharge 50 EUR								<b>Z</b>	Top with fixed frame		



Base (Legs)										AL, BI, CZ			
<b>W</b>	<b>N</b>	<b>S</b>	<b>N</b>	<b>W</b>	<b>W</b>	<b>2</b>	<b>N</b>	<b>0</b>	<b>N</b>	<b>N</b>	Without height adjustment	<b>W</b>	110
<b>W</b>	<b>N</b>	<b>S</b>	<b>N</b>	<b>W</b>	<b>X</b>	<b>2</b>	<b>N</b>	<b>0</b>	<b>N</b>	<b>N</b>	Without height adjustment	<b>X</b>	114

## Workbench – additional unit – 0 legs, Without option for side table panel fixing, height 740 mm

											description – page 170					Melamine + 1 sliding tops				
											<b>N</b>	Without slot								
											<b>L</b>	2 left slots								
											<b>R</b>	2 right slots								
											<b>T</b>	Slot left and right								
											<b>M</b>	2 central slots								
<b>Tops</b>										<b>width</b>		<b>depth</b>								
<b>W</b>	<b>N</b>	<b>S</b>	<b>WB</b>	<b>0</b>	<b>5</b>	<b>N</b>	<b>S</b>	<b>N</b>	<b>Z</b>	1200 mm		2 × 600 mm		329						
<b>W</b>	<b>N</b>	<b>S</b>	<b>WB</b>	<b>0</b>	<b>7</b>	<b>N</b>	<b>S</b>	<b>N</b>	<b>Z</b>	1400 mm				375						
<b>W</b>	<b>N</b>	<b>S</b>	<b>WB</b>	<b>0</b>	<b>9</b>	<b>N</b>	<b>S</b>	<b>N</b>	<b>Z</b>	1600 mm		For base type: <b>Y</b>		383						
<b>W</b>	<b>N</b>	<b>S</b>	<b>WB</b>	<b>0</b>	<b>8</b>	<b>N</b>	<b>S</b>	<b>N</b>	<b>Z</b>	1400 mm		2 × 800 mm		452						
<b>W</b>	<b>N</b>	<b>S</b>	<b>WB</b>	<b>1</b>	<b>0</b>	<b>N</b>	<b>S</b>	<b>N</b>	<b>Z</b>	1600 mm		For base type: <b>Z</b>		460						
											<b>L</b>	2 mm laser edge for selected melamine decors: NB, NJ, NH, BI, MP, MB – surcharge 50 EUR				<b>Z</b>	Top with fixed frame			

<b>Base (Legs)</b>													<b>AL, CZ, BI</b>		
<b>W</b>	<b>N</b>	<b>S</b>	<b>N</b>	<b>W</b>	<b>Y</b>	<b>2</b>	<b>N</b>	<b>0</b>	<b>N</b>	<b>N</b>	Without height adjustment		<b>Y</b>	108	
<b>W</b>	<b>N</b>	<b>S</b>	<b>N</b>	<b>W</b>	<b>Z</b>	<b>2</b>	<b>N</b>	<b>0</b>	<b>N</b>	<b>N</b>	Without height adjustment		<b>Z</b>	112	

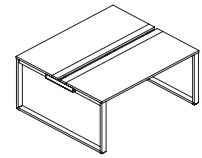
## Workbench - base modular unit - 0 legs, fixed tops with opening flap, height 740 mm

description - page 170

**N** Without slot  
**L** 2 left slots  
**R** 2 right slots  
**T** Slot left and right  
**M** 2 central slots

**N** Without table panel fixing possibility  
**P** With table panel fixing possibility

Tops										width	depth	Melamine + 1 fixed tops
W	N	S	WB	0	5	N	N	K	Z	1200 mm	2 × 600 mm	329
W	N	S	WB	0	7	N	N	K	Z	1400 mm		375
W	N	S	WB	0	9	N	N	K	Z	1600 mm		For base type: <b>W/Y</b>
W	N	S	WB	0	8	N	N	K	Z	1400 mm	2 × 800 mm	452
W	N	S	WB	1	0	N	N	K	Z	1600 mm		For base type: <b>X/Z</b>
L	2 mm laser edge for selected melamine decors: NB, NJ, NH, BI, MP, MB - surcharge 50 EUR									Z	Top with fixed frame	



### Base with tabel panel fixing possibility

											AL, CZ, BI		
W	N	S	N	W	W	6	N	0	N	N	Without height adjustment	W	185
W	N	S	N	W	X	6	N	0	N	N	Without height adjustment	X	227

### Base without tabel panel fixing possibility

W	N	S	N	W	Y	6	N	0	N	N	Without height adjustment	Y	183
W	N	S	N	W	Z	6	N	0	N	N	Without height adjustment	Z	225

Workbench – additional unit – 0 legs, with option for side table panel fixing, fixed tops with opening flap, height 740 mm

description – page 170												Melamine + 1				
										fixed tops						
										<b>depth</b>						
										<b>width</b>						
										<b>depth</b>						
	<b>N</b>	Without slot														
	<b>L</b>	2 left slots														
	<b>R</b>	2 right slots														
	<b>T</b>	Slot left and right														
	<b>M</b>	2 central slots														
	<b>N</b>	Without table panel fixing possibility														
	<b>P</b>	With table panel fixing possibility														
<b>Tops</b>																
<b>W</b>	<b>N</b>	<b>S</b>	<b>WB</b>	<b>0</b>	<b>5</b>	<b>N</b>	<b>N</b>	<b>K</b>	<b>Z</b>	1200 mm	2 × 600 mm	329				
<b>W</b>	<b>N</b>	<b>S</b>	<b>WB</b>	<b>0</b>	<b>7</b>	<b>N</b>	<b>N</b>	<b>K</b>	<b>Z</b>	1400 mm		375				
<b>W</b>	<b>N</b>	<b>S</b>	<b>WB</b>	<b>0</b>	<b>9</b>	<b>N</b>	<b>N</b>	<b>K</b>	<b>Z</b>	1600 mm		For base type: <b>W</b>	383			
<b>W</b>	<b>N</b>	<b>S</b>	<b>WB</b>	<b>0</b>	<b>8</b>	<b>N</b>	<b>N</b>	<b>K</b>	<b>Z</b>	1400 mm	2 × 800 mm	452				
<b>W</b>	<b>N</b>	<b>S</b>	<b>WB</b>	<b>1</b>	<b>0</b>	<b>N</b>	<b>N</b>	<b>K</b>	<b>Z</b>	1600 mm		For base type: <b>X</b>	460			
	<b>L</b>	2 mm laser edge for selected melamine decors: NB, NJ, NH, BI, MP, MB – surcharge 50 EUR														
	<b>Z</b>	Top with fixed frame														

<b>Base (Legs)</b>										<b>AL, CZ, BI</b>			
<b>W</b>	<b>N</b>	<b>S</b>	<b>N</b>	<b>W</b>	<b>W</b>	<b>2</b>	<b>N</b>	<b>0</b>	<b>N</b>	<b>N</b>	Without height adjustment	<b>W</b>	110
<b>W</b>	<b>N</b>	<b>S</b>	<b>N</b>	<b>W</b>	<b>X</b>	<b>2</b>	<b>N</b>	<b>0</b>	<b>N</b>	<b>N</b>	Without height adjustment	<b>X</b>	114

# Workbench

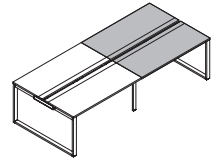
Workbench – additional unit – 0 legs, without option for side table panel fixing, fixed tops with opening flap, height 740 mm

description – page 170  
**N** Without slot  
**L** 2 left slots  
**R** 2 right slots  
**T** Slot left and right  
**M** 2 central slots

**N** Without table panel fixing possibility  
**P** With table panel fixing possibility

**Melamine + 1**

fixed tops



Tops										width	depth	
W	N	S	WB	0	5	N	N	K	Z	1200 mm	2 × 600 mm	329
W	N	S	WB	0	7	N	N	K	Z	1400 mm		375
W	N	S	WB	0	9	N	N	K	Z	1600 mm		For base type: <b>Y</b>
W	N	S	WB	0	8	N	N	K	Z	1400 mm	2 × 800 mm	452
W	N	S	WB	1	0	N	N	K	Z	1600 mm	For base type: <b>Z</b>	460

**L** 2 mm laser edge for selected melamine decors:  
 NB, NJ, NH, BI, MP, MB – surcharge 50 EUR  
**Z** Top with fixed frame

**Base (Legs)**

											<b>AL, CZ, BI</b>		
W	N	S	N	S	Y	2	N	0	N	N	Without height adjustment	<b>Y</b>	113
W	N	S	N	S	Z	2	N	0	N	N	Without height adjustment	<b>Z</b>	117

Workbench – additional unit linking by shorter side with rectangular desk with 4 metal legs (page 180), C legs (page 182) or O legs (page 183), height 740 mm  
The required depth of the desk base: 600, 700 or 800 mm

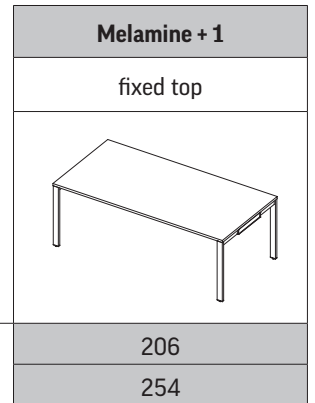
										description – page 170				Melamine + 1			
										D	Outlet for cables – left and right		N		fixed top		
										L	Outlet for cables – left		S		sliding top		
										R	Outlet for cables – right						
										M	Outlet for cables – middle						
										N	Without outlet for cables						
										N	Fixed top						
										S	Sliding top						
Tops												width	depth				
W	N	S	R	0	5	N	N	N	Z			1200 mm	600 mm	126	213		
W	N	S	R	0	7	N	N	N	Z			1400 mm		152	240		
W	N	S	R	0	9	N	N	N	Z			1600 mm		For base type: <b>W/Y</b>		158	245
W	N	S	R	1	5	N	N	N	Z			1200 mm	700 mm	127	214		
W	N	S	R	1	6	N	N	N	Z			1400 mm		172	260		
W	N	S	R	1	7	N	N	N	Z			1600 mm		179	267		
W	N	S	R	1	8	N	N	N	Z			1800 mm		For base type: <b>W/Y</b>		194	281
W	N	S	R	0	6	N	N	N	Z			1200 mm	800 mm	139	240		
W	N	S	R	0	8	N	N	N	Z			1400 mm		175	276		
W	N	S	R	1	0	N	N	N	Z			1600 mm		181	282		
W	N	S	R	1	2	N	N	N	Z			1800 mm		197	298		
W	N	S	R	1	4	N	N	N	Z			2000 mm		For base type: <b>W/Y</b>		206	307
L	2 mm laser edge for selected melamine decors: NB, NJ, NH, BI, MP, MB – surcharge 25 EUR									Z	Top with fixed frame						

Base with side panel fixing possibility										AL, CZ, BI				
W	N	S	N	V	W	2	N	0	N	N	Without height adjustment		W	105
										0	For top without outlet for cables		* colour of outlet for cables always as colour of legs	
										1	For top with one outlet for cables*			
										2	For top with two outlets for cables*			

Base without side panel fixing possibility										AL, CZ, BI				
W	N	S	N	V	Y	2	N	0	N	N	Without height adjustment		Y	103
										0	For top without outlet for cables		* colour of outlet for cables always as colour of legs	
										1	For top with one outlet for cables*			
										2	For top with two outlets for cables*			

# Conference tables

Conference tables, height 740 mm

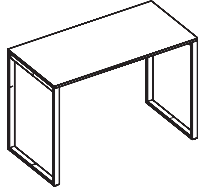


Top										width	depth		
W	N	S	K	2	8	N	N	N	Z	2000 mm	1000 mm	U	206
W	N	S	K	3	0	N	N	N	Z	2400 mm		T	254
W	N	S	K	3	2	N	N	N	Z	2400 mm	1200 mm	F	314
W	N	S	K	3	3	N	N	N	Z	1400 mm	1400 mm	V	286
L	2 mm laser edge for selected melamine decors: NB, NJ, NH, BI, MP, MB – surcharge 25 EUR									Z	Top with fixed frame		

Base (Legs)											AL, CZ, BI		
W	N	S	N	B	U	2	N	0	N	N	4 metal legs	U	114
W	N	S	N	B	T	2	N	0	N	N	6 legs, 2 central legs recessed for 200 mm	T	216
W	N	S	N	B	F	2	N	0	N	N	6 legs, 2 central legs recessed for 300 mm	F	226
W	N	S	N	B	V	2	N	0	N	N	4 metal legs	V	125



## SQart high table with O-shaped legs, height 1100 mm

Top										width	depth	Melamine + 1	
W	N	S	K	2	2	N	N	N	Z	1600mm	900mm	fixed top	187
W	N	S	K	2	3	N	N	N	Z	1800mm			201
W	N	S	K	2	4	N	N	N	Z	2000mm	For base type: <b>Q</b>		210

**L** 2 mm laser edge for selected melamine decors:  
NB, NJ, NH, BI, MP, MB - surcharge 25 EUR

### Base

W	N	S	N	B	Q	6	N	O	S	N	Without height adjustment	<b>Q</b>	180
---	---	---	---	---	---	---	---	---	---	---	---------------------------	----------	-----

# Desks

## Rectangular desk extensions

Top											width		depth		Melamine + 1
W	N	S	A	0	1	N	N	N	Z	800 mm		600 mm		123	
W	N	S	A	0	3	N	N	N	Z	1000 mm		600 mm		139	
L	2 mm laser edge for selected melamine decors: NB, NJ, NH, BI, MP, MB – surcharge 25 EUR								Z	Top with fixed frame					

Base (Legs)											2 Metal legs		AL, CZ, BI
W	N	S	N	A	A	2	N	0	N	N	Without height adjustment		68
W	N	S	N	A	A	2	H	0	N	N	With manual height adj. (640-860 mm)		109

C Legs											C Legs		AL, CZ, BI
W	N	S	N	A	A	3	N	0	N	N	Without height adjustment		105
W	N	S	N	A	A	3	H	0	N	N	With manual height adj. (680-820 mm)		115

**Modesty panels for desks**

When applying the modesty panel the table panel cannot be fitted.

									Lenght		Melamine + 1	
<b>W</b>	<b>N</b>	<b>S</b>	<b>P</b>	<b>D</b>	<b>T</b>	<b>1</b>	<b>2</b>	<b>N</b>	<b>N</b>	1200 mm		64
<b>W</b>	<b>N</b>	<b>S</b>	<b>P</b>	<b>D</b>	<b>T</b>	<b>1</b>	<b>4</b>	<b>N</b>	<b>N</b>	1400 mm		66
<b>W</b>	<b>N</b>	<b>S</b>	<b>P</b>	<b>D</b>	<b>T</b>	<b>1</b>	<b>6</b>	<b>N</b>	<b>N</b>	1600 mm		68
<b>W</b>	<b>N</b>	<b>S</b>	<b>P</b>	<b>D</b>	<b>T</b>	<b>1</b>	<b>8</b>	<b>N</b>	<b>N</b>	1800 mm		70
<b>W</b>	<b>N</b>	<b>S</b>	<b>P</b>	<b>D</b>	<b>T</b>	<b>2</b>	<b>0</b>	<b>N</b>	<b>N</b>	2000 mm		72

**Table panels for desks**

When applying the table panel the modesty panel cannot be fitted

									Lenght		Melamine + 1	
<b>W</b>	<b>N</b>	<b>S</b>	<b>P</b>	<b>G</b>	<b>T</b>	<b>1</b>	<b>2</b>	<b>L</b>	<b>N</b>	1200 mm		82
<b>W</b>	<b>N</b>	<b>S</b>	<b>P</b>	<b>G</b>	<b>T</b>	<b>1</b>	<b>4</b>	<b>L</b>	<b>N</b>	1400 mm		85
<b>W</b>	<b>N</b>	<b>S</b>	<b>P</b>	<b>G</b>	<b>T</b>	<b>1</b>	<b>6</b>	<b>L</b>	<b>N</b>	1600 mm		99
<b>W</b>	<b>N</b>	<b>S</b>	<b>P</b>	<b>G</b>	<b>T</b>	<b>1</b>	<b>8</b>	<b>L</b>	<b>N</b>	1800 mm		112
<b>W</b>	<b>N</b>	<b>S</b>	<b>P</b>	<b>G</b>	<b>T</b>	<b>2</b>	<b>0</b>	<b>L</b>	<b>N</b>	2000 mm		116

**One-piece table and modesty panels**

									Lenght		Melamine + 1	
<b>W</b>	<b>N</b>	<b>S</b>	<b>P</b>	<b>K</b>	<b>T</b>	<b>1</b>	<b>2</b>	<b>L</b>	<b>N</b>	1200 mm		87
<b>W</b>	<b>N</b>	<b>S</b>	<b>P</b>	<b>K</b>	<b>T</b>	<b>1</b>	<b>4</b>	<b>L</b>	<b>N</b>	1400 mm		96
<b>W</b>	<b>N</b>	<b>S</b>	<b>P</b>	<b>K</b>	<b>T</b>	<b>1</b>	<b>6</b>	<b>L</b>	<b>N</b>	1600 mm		110
<b>W</b>	<b>N</b>	<b>S</b>	<b>P</b>	<b>K</b>	<b>T</b>	<b>1</b>	<b>8</b>	<b>L</b>	<b>N</b>	1800 mm		114
<b>W</b>	<b>N</b>	<b>S</b>	<b>P</b>	<b>K</b>	<b>T</b>	<b>2</b>	<b>0</b>	<b>L</b>	<b>N</b>	2000 mm		119

**Table panels for angled desks (120°)**

									Lenght		Melamine + 1	
<b>W</b>	<b>N</b>	<b>S</b>	<b>P</b>	<b>G</b>	<b>B</b>	<b>1</b>	<b>2</b>	<b>L</b>	<b>N</b>	1200 mm		77
<b>W</b>	<b>N</b>	<b>S</b>	<b>P</b>	<b>G</b>	<b>B</b>	<b>1</b>	<b>4</b>	<b>L</b>	<b>N</b>	1400 mm		82

one piece of panels

# Panels

## Side panels for desks

										Length		Melamine + 1
W	N	S	P	G	B	0	6	L	N	600 mm		41
W	N	S	P	G	B	0	7	L	N	700 mm		44
W	N	S	P	G	B	0	8	L	N	800 mm		45
W	N	S	P	G	B	0	9	L	N	900 mm		47
W	N	S	P	G	B	1	0	L	N	1000 mm		50
W	N	S	P	G	B	1	2	L	N	1200 mm		77
W	N	S	P	G	B	1	4	L	N	1400 mm		82
W	N	S	P	G	B	1	6	L	N	1600 mm		95

## Table panels for workbench

										Length		Melamine + 1
W	N	S	P	G	W	1	2	L	N	1200 mm		96
W	N	S	P	G	W	1	4	L	N	1400 mm		101
W	N	S	P	G	W	1	6	L	N	1600 mm		112

Side table panels for workbench

										Lenght		Melamine + 1
<b>W</b>	<b>N</b>	<b>S</b>	<b>P</b>	<b>S</b>	<b>W</b>	<b>1</b>	<b>2</b>	<b>L</b>	<b>N</b>	1200 mm		68
<b>W</b>	<b>N</b>	<b>S</b>	<b>P</b>	<b>S</b>	<b>W</b>	<b>1</b>	<b>6</b>	<b>L</b>	<b>N</b>	1600 mm		83

Side table panels for workbench linked by shorter side

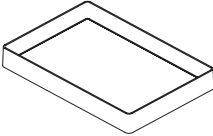
										Lenght		Melamine + 1
<b>W</b>	<b>N</b>	<b>S</b>	<b>P</b>	<b>S</b>	<b>W</b>	<b>0</b>	<b>6</b>	<b>L</b>	<b>N</b>	600 mm		56
<b>W</b>	<b>N</b>	<b>S</b>	<b>P</b>	<b>S</b>	<b>W</b>	<b>0</b>	<b>7</b>	<b>L</b>	<b>N</b>	700 mm		59
<b>W</b>	<b>N</b>	<b>S</b>	<b>P</b>	<b>S</b>	<b>W</b>	<b>0</b>	<b>8</b>	<b>L</b>	<b>N</b>	800 mm		62

# Accessories

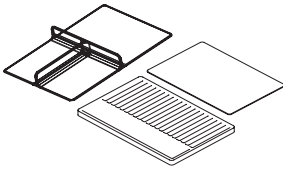
## Space-organizing metal panel

				<b>AL colour only</b>		
						
<b>W</b>	<b>N</b>	<b>S</b>	<b>A U X</b>	<b>0 1</b>	length 350 mm, heigth 290 mm	28

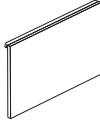
## Universal storage frame

				<b>CZ colour only</b>		
						
<b>W</b>	<b>N</b>	<b>S</b>	<b>A U X</b>	<b>0 2</b>	length 336 mm, depth 236 mm	8

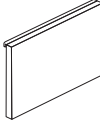
## Internal organiser for universal frame

				<b>BI colour only</b>		
						
<b>W</b>	<b>N</b>	<b>S</b>	<b>A U X</b>	<b>0 3</b>	organiser	13
<b>W</b>	<b>N</b>	<b>S</b>	<b>A U X</b>	<b>0 4</b>	CD organiser	15
<b>W</b>	<b>N</b>	<b>S</b>	<b>A U X</b>	<b>0 5</b>	3 way divider	15

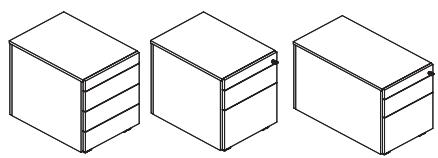
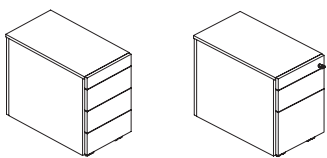
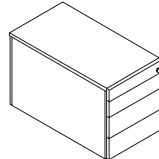
## Pinnable notice board

				<b>Lucia, Bondai fabric</b>		<b>Blazer, Synergy fabric</b>	
				<b>Upholstered AL metal board</b>			
							
<b>W</b>	<b>N</b>	<b>S</b>	<b>A U X</b>	<b>0 6</b>	length 350 mm, heigth 290 mm	25	30
<b>W</b>	<b>N</b>	<b>S</b>	<b>A U X</b>	<b>0 7</b>	length 700 mm, heigth 290 mm	35	45

## Sound-absorbing pads for panels

				<b>Blazer fabric</b>		
						
<b>W</b>	<b>N</b>	<b>S</b>	<b>A U X</b>	<b>5 6</b>	1000 × 340 mm	97
<b>W</b>	<b>N</b>	<b>S</b>	<b>A U X</b>	<b>5 7</b>	1200 × 340 mm	107
<b>W</b>	<b>N</b>	<b>S</b>	<b>A U X</b>	<b>5 8</b>	1400 × 340 mm	117
<b>W</b>	<b>N</b>	<b>S</b>	<b>A U X</b>	<b>5 9</b>	1600 × 340 mm	128

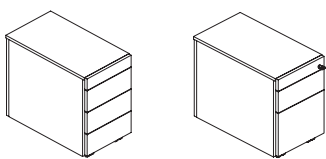
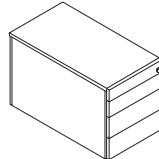
Mobile pedestals, height 575 mm, width 432 mm

											<b>Melamine + 1</b>	
											<b>M</b> 80 %	<b>S</b> 80 % / 100 %
												
											272	-
											<b>Melamine + 1</b>	
											<b>M</b> metal drawers 80 %	
												
											252	
											<b>Melamine + 1</b>	
											<b>M</b> metal drawers 80 %	
												
											278	

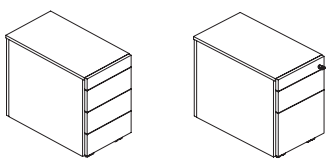
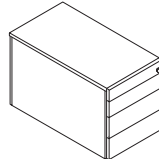
  

<b>M</b>	80% extendable metal drawers												
<b>S</b>	80% extendable metal drawers, 100% extendable metal drawer with file frame												
<b>Depth</b> pencil drawer + 3 drawers													
<b>W</b>	<b>N</b>	<b>S</b>	<b>C</b>	<b>M</b>	<b>3</b>	<b>1</b>	<b>6</b>	<b>M</b>	<b>N</b>	<b>Z</b>	600mm		
<b>Depth</b> pencil drawer + 1 drawer + 1 drawer with file frame													
<b>W</b>	<b>N</b>	<b>S</b>	<b>C</b>	<b>M</b>	<b>2</b>	<b>1</b>	<b>6</b>	<b>M</b>	<b>N</b>	<b>Z</b>	600mm	263	355
<b>W</b>	<b>N</b>	<b>S</b>	<b>C</b>	<b>M</b>	<b>2</b>	<b>1</b>	<b>8</b>	<b>M</b>	<b>N</b>	<b>Z</b>	800mm	289	382

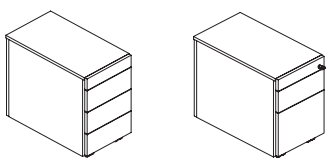
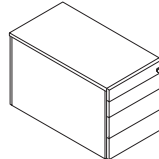
Slim mobile pedestals, height 575 mm, width 332 mm

											<b>Melamine + 1</b>	
											<b>M</b> metal drawers 80 %	
												
											252	
											<b>Melamine + 1</b>	
											<b>M</b> metal drawers 80 %	
												
											278	

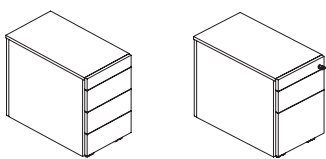
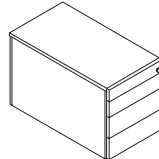
  

											<b>Melamine + 1</b>	
											<b>M</b> metal drawers 80 %	
												
											252	
											<b>Melamine + 1</b>	
											<b>M</b> metal drawers 80 %	
												
											278	

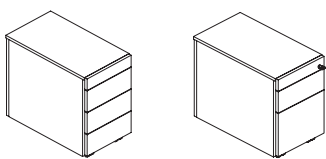
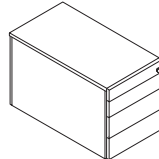
  

											<b>Melamine + 1</b>	
											<b>M</b> metal drawers 80 %	
												
											252	
											<b>Melamine + 1</b>	
											<b>M</b> metal drawers 80 %	
												
											278	

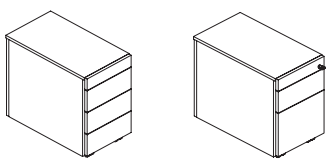
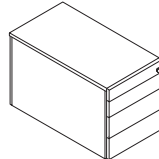
  

											<b>Melamine + 1</b>	
											<b>M</b> metal drawers 80 %	
												
											252	
											<b>Melamine + 1</b>	
											<b>M</b> metal drawers 80 %	
												
											278	

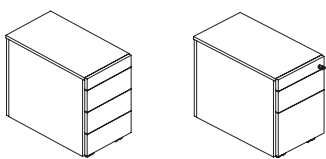
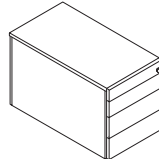
  

											<b>Melamine + 1</b>	
											<b>M</b> metal drawers 80 %	
												
											252	
											<b>Melamine + 1</b>	
											<b>M</b> metal drawers 80 %	
												
											278	

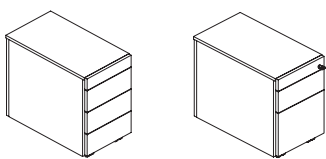
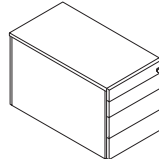
  

											<b>Melamine + 1</b>	
											<b>M</b> metal drawers 80 %	
												
											252	
											<b>Melamine + 1</b>	
											<b>M</b> metal drawers 80 %	
												
											278	

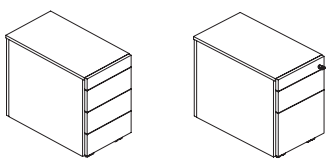
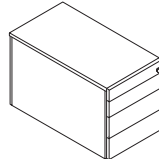
  

											<b>Melamine + 1</b>	
											<b>M</b> metal drawers 80 %	
												
											252	
											<b>Melamine + 1</b>	
											<b>M</b> metal drawers 80 %	
												
											278	

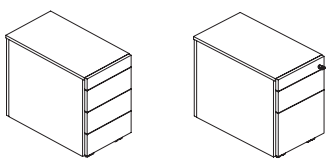
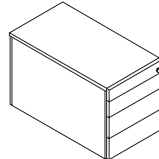
  

											<b>Melamine + 1</b>	
											<b>M</b> metal drawers 80 %	
												
											252	
											<b>Melamine + 1</b>	
											<b>M</b> metal drawers 80 %	
												
											278	

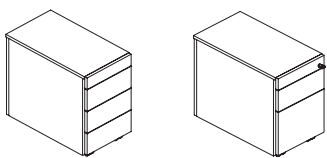
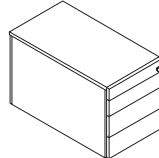
  

											<b>Melamine + 1</b>	
											<b>M</b> metal drawers 80 %	
												
											252	
											<b>Melamine + 1</b>	
											<b>M</b> metal drawers 80 %	
												
											278	

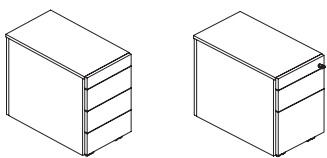
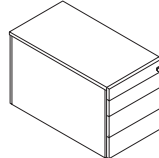
  

											<b>Melamine + 1</b>	
											<b>M</b> metal drawers 80 %	
												
											252	
											<b>Melamine + 1</b>	
											<b>M</b> metal drawers 80 %	
												
											278	

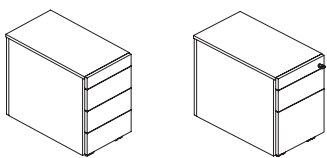
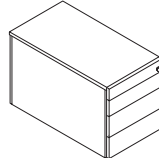
Low mobile pedestals, height 525 mm, width 432 mm

											<b>Melamine + 1</b>	
											<b>M</b> metal drawers 80 %	
												
											252	
											<b>Melamine + 1</b>	
											<b>M</b> metal drawers 80 %	
												
											278	

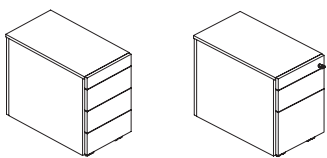
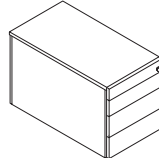
  

											<b>Melamine + 1</b>	
											<b>M</b> metal drawers 80 %	
												
											252	
											<b>Melamine + 1</b>	
											<b>M</b> metal drawers 80 %	
												
											278	

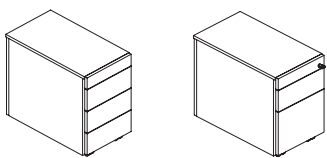
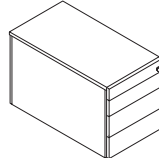
  

											<b>Melamine + 1</b>	
											<b>M</b> metal drawers 80 %	
												
											252	
											<b>Melamine + 1</b>	
											<b>M</b> metal drawers 80 %	
												
											278	

											<b>Melamine + 1</b>	
											<b>M</b> metal drawers 80 %	
												
											252	
											<b>Melamine + 1</b>	
											<b>M</b> metal drawers 80 %	
												
											278	

											<b>Melamine + 1</b>	
											<b>M</b> metal drawers 80 %	
												
											252	
											<b>Melamine + 1</b>	
											<b>M</b> metal drawers 80 %	
												
											278	

# Pedestals

## Free standing pedestals on feet, height 740 mm, width 432 mm

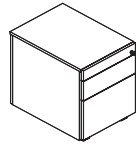
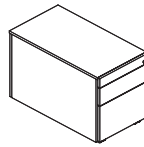
										Melamine + 1			
										M	S		
										80 %	80 % / 100 %		
										<b>Depth</b> pencil drawer + 4 drawers			
<b>W</b>	<b>N</b>	<b>S</b>	<b>C</b>	<b>F</b>	<b>4</b>	<b>1</b>	<b>6</b>	<b>M</b>	<b>N</b>	<b>Z</b>	600mm	341	-
										pencil drawer + 2 drawers + 1 drawer with file frame			
<b>W</b>	<b>N</b>	<b>S</b>	<b>C</b>	<b>F</b>	<b>3</b>	<b>1</b>	<b>6</b>	<b>M</b>	<b>N</b>	<b>Z</b>	600mm	330	423
<b>W</b>	<b>N</b>	<b>S</b>	<b>C</b>	<b>F</b>	<b>3</b>	<b>1</b>	<b>8</b>	<b>M</b>	<b>N</b>	<b>Z</b>	800mm	365	458
										pencil drawer + 2 drawers With file frame			
<b>W</b>	<b>N</b>	<b>S</b>	<b>C</b>	<b>F</b>	<b>2</b>	<b>1</b>	<b>6</b>	<b>M</b>	<b>N</b>	<b>Z</b>	600mm	302	413
<b>W</b>	<b>N</b>	<b>S</b>	<b>C</b>	<b>F</b>	<b>2</b>	<b>1</b>	<b>8</b>	<b>M</b>	<b>N</b>	<b>Z</b>	800mm	338	449

## Free standing pedestals with metal base, height 740 mm, width 432 mm

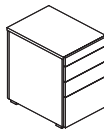
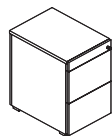
										Melamine + 1			
										metal base AL, CZ, BI			
										M	S		
										80 %	80 % / 100 %		
										<b>Depth</b> pencil drawer + 4 drawers			
<b>W</b>	<b>N</b>	<b>S</b>	<b>C</b>	<b>C</b>	<b>4</b>	<b>1</b>	<b>6</b>	<b>M</b>	<b>N</b>	<b>Z</b>	600mm	369	-
										pencil drawer + 2 drawers + 1 drawer with file frame			
<b>W</b>	<b>N</b>	<b>S</b>	<b>C</b>	<b>C</b>	<b>3</b>	<b>1</b>	<b>6</b>	<b>M</b>	<b>N</b>	<b>Z</b>	600mm	358	452
<b>W</b>	<b>N</b>	<b>S</b>	<b>C</b>	<b>C</b>	<b>3</b>	<b>1</b>	<b>8</b>	<b>M</b>	<b>N</b>	<b>Z</b>	800mm	396	489
										pencil drawer + 2 drawers with file frame			
<b>W</b>	<b>N</b>	<b>S</b>	<b>C</b>	<b>C</b>	<b>2</b>	<b>1</b>	<b>6</b>	<b>M</b>	<b>N</b>	<b>Z</b>	600mm	330	441
<b>W</b>	<b>N</b>	<b>S</b>	<b>C</b>	<b>C</b>	<b>2</b>	<b>1</b>	<b>8</b>	<b>M</b>	<b>N</b>	<b>Z</b>	800mm	370	481



Mobile pedestals with fifth castor, height 575 mm, width 432 mm

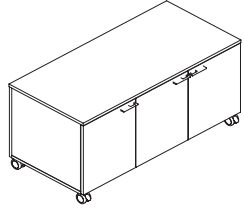
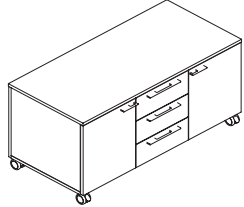
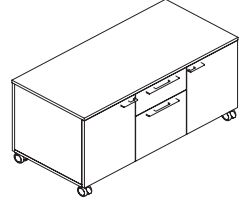
										<b>K</b>	80% extendable metal drawers with an additional castor fixed to the bottom drawer	<b>Melamine + 1</b>		
											<b>D</b>	80% extendable metal drawers, 100% extendable drawer with file frame with an additional castor	<b>K</b> 80%	<b>D</b> 80% / 100%
														
												pencil drawer + 1 drawer + 1 drawer with file frame		
<b>W</b>	<b>N</b>	<b>S</b>	<b>C</b>	<b>M</b>	<b>2</b>	<b>1</b>	<b>6</b>	<b>K</b>	<b>N</b>	<b>Z</b>	Depth	600mm	274	293
<b>W</b>	<b>N</b>	<b>S</b>	<b>C</b>	<b>M</b>	<b>2</b>	<b>1</b>	<b>8</b>	<b>K</b>	<b>N</b>	<b>Z</b>	Depth	800mm	301	319

Free standing pedestals on feet with fifth castor fixed to the bottom drawer, height 740 mm, width 432 mm

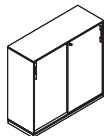
										<b>K</b>	80% extendable metal drawers with an additional castor fixed to the bottom drawer	<b>Melamine + 1</b>		
											<b>D</b>	80% extendable metal drawers, 100% extendable drawer with file frame with an additional castor	<b>K</b> 80%	<b>D</b> 80% / 100%
														
												pencil drawer + 2 drawers + 1 drawer with file frame		
<b>W</b>	<b>N</b>	<b>S</b>	<b>C</b>	<b>F</b>	<b>3</b>	<b>1</b>	<b>6</b>	<b>K</b>	<b>N</b>	<b>Z</b>	Depth	600mm	342	360
<b>W</b>	<b>N</b>	<b>S</b>	<b>C</b>	<b>F</b>	<b>3</b>	<b>1</b>	<b>8</b>	<b>K</b>	<b>N</b>	<b>Z</b>	Depth	800mm	377	396
												pencil drawer + 2 drawers with file frame		
<b>W</b>	<b>N</b>	<b>S</b>	<b>C</b>	<b>F</b>	<b>2</b>	<b>1</b>	<b>6</b>	<b>K</b>	<b>N</b>	<b>Z</b>	Depth	600mm	315	350
<b>W</b>	<b>N</b>	<b>S</b>	<b>C</b>	<b>F</b>	<b>2</b>	<b>1</b>	<b>8</b>	<b>K</b>	<b>N</b>	<b>Z</b>	Depth	800mm	350	385

# Sideboards

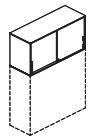
Mobile sideboards, height 600 mm, width 1200 mm, depth 565 mm

											Melamine + 1					
											cable outlet AL, BI, CZ					
											<b>L</b>	Outlet for cables - left				
											<b>R</b>	Outlet for cables - right				
											<b>M</b>	Outlet for cables - middle				
											<b>N</b>	Without outlet for cables				
											<b>A</b>	Standard metal handles				
											<b>C</b>	Beech wood handles, surcharge 10 EUR				
											<b>F</b>	Oak wood handles, surcharge 10 EUR				
											<b>G</b>	Beech wood handles - white, surcharge 10 EUR				
											<b>H</b>	Beech wood handles - black, surcharge 10 EUR				
<b>W</b>	<b>N</b>	<b>S</b>	<b>S</b>	<b>B</b>	<b>M</b>	<b>W</b>	<b>1</b>	<b>2</b>	<b>N</b>	<b>U</b>	<b>L</b>	<b>A</b>		<b>Z</b>	mobile sideboard - 3 × hinged door height: 600 mm width: 1200 mm	353
<b>W</b>	<b>N</b>	<b>S</b>	<b>S</b>	<b>B</b>	<b>M</b>	<b>E</b>	<b>1</b>	<b>2</b>	<b>N</b>	<b>U</b>	<b>M</b>	<b>A</b>		<b>Z</b>	mobile sideboard - 2 × hinged door + 3 × drawers height: 600 mm width: 1200 mm <b>Note: without central slot "M" possibility.</b>	524
<b>W</b>	<b>N</b>	<b>S</b>	<b>S</b>	<b>B</b>	<b>M</b>	<b>H</b>	<b>1</b>	<b>2</b>	<b>N</b>	<b>U</b>	<b>M</b>	<b>A</b>		<b>Z</b>	mobile sideboard - 2 × hinged door + 2 × drawers height: 600 mm width: 1200 mm <b>Note: without central slot "M" possibility.</b>	499

Sliding door cabinets, width 1000 mm, depth 445 mm

													Melamine + 1			
													<b>A</b>	Standard metal handles		
													<b>C</b>	Beech wood handles, surcharge 10 EUR		
													<b>F</b>	Oak wood handles, surcharge 10 EUR		
													<b>G</b>	Beech wood handles - white, surcharge 10 EUR		
													<b>H</b>	Beech wood handles - black, surcharge 10 EUR		
<b>W</b>	<b>N</b>	<b>S</b>	<b>S</b>	<b>C</b>	<b>S</b>	<b>1</b>	<b>0</b>	<b>1</b>	<b>N</b>	<b>S</b>	<b>A</b>	<b>N</b>	1,50H (740 mm)		298	252
<b>W</b>	<b>N</b>	<b>S</b>	<b>S</b>	<b>C</b>	<b>S</b>	<b>1</b>	<b>0</b>	<b>2</b>	<b>N</b>	<b>S</b>	<b>A</b>	<b>N</b>	20H (765 mm)		318	273
<b>W</b>	<b>N</b>	<b>S</b>	<b>S</b>	<b>C</b>	<b>S</b>	<b>1</b>	<b>0</b>	<b>3</b>	<b>N</b>	<b>S</b>	<b>A</b>	<b>N</b>	30H (1117 mm)		359	314
<b>W</b>	<b>N</b>	<b>S</b>	<b>S</b>	<b>C</b>	<b>S</b>	<b>1</b>	<b>0</b>	<b>4</b>	<b>N</b>	<b>S</b>	<b>A</b>	<b>N</b>	40H (1469 mm)		401	355
													<b>S</b>	Reinforced shelf		
													<b>M</b>	Metal shelf		
													<b>C</b>	Cabinet with metal base (as shown in illustration)		
													<b>F</b>	Cabinet on feet		

Upper - sliding door cabinets, width 1000 mm, depth 445 mm

													Melamine + 1			
													<b>A</b>	Standard metal handles		
													<b>C</b>	Beech wood handles, surcharge 10 EUR		
													<b>F</b>	Oak wood handles, surcharge 10 EUR		
													<b>G</b>	Beech wood handles - white, surcharge 10 EUR		
													<b>H</b>	Beech wood handles - black, surcharge 10 EUR		
<b>W</b>	<b>N</b>	<b>S</b>	<b>S</b>	<b>A</b>	<b>S</b>	<b>1</b>	<b>0</b>	<b>0</b>	<b>N</b>	<b>N</b>	<b>A</b>	<b>N</b>	10H (370 mm)		194	
<b>W</b>	<b>N</b>	<b>S</b>	<b>S</b>	<b>A</b>	<b>S</b>	<b>1</b>	<b>0</b>	<b>2</b>	<b>N</b>	<b>S</b>	<b>A</b>	<b>N</b>	20H (722 mm)		255	
<b>W</b>	<b>N</b>	<b>S</b>	<b>S</b>	<b>A</b>	<b>S</b>	<b>1</b>	<b>0</b>	<b>3</b>	<b>N</b>	<b>S</b>	<b>A</b>	<b>N</b>	30H (1074 mm)		317	
<b>W</b>	<b>N</b>	<b>S</b>	<b>S</b>	<b>A</b>	<b>S</b>	<b>1</b>	<b>0</b>	<b>4</b>	<b>N</b>	<b>S</b>	<b>A</b>	<b>N</b>	40H (1426 mm)		379	
													<b>S</b>	Reinforced shelf		
													<b>M</b>	Metal shelf		

# Cabinets

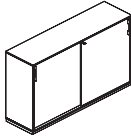
## Sliding door cabinets, width 1200 mm, depth 445 mm

													<b>A</b>	Standard metal handles	<b>Melamine + 1</b>			
													<b>C</b>	Beech wood handles, surcharge 10 EUR				
													<b>F</b>	Oak wood handles, surcharge 10 EUR				
													<b>G</b>	Beech wood handles - white, surcharge 10 EUR				
													<b>H</b>	Beech wood handles - black, surcharge 10 EUR				
<b>W</b>	<b>N</b>	<b>S</b>	<b>S</b>	<b>C</b>	<b>S</b>	<b>1</b>	<b>2</b>	<b>1</b>	<b>N</b>	<b>P</b>	<b>A</b>	<b>N</b>	1,5OH (740 mm)		<b>C</b>	Cabinet with metal base: AL, CZ, BI	<b>F</b>	Cabinet on feet
<b>W</b>	<b>N</b>	<b>S</b>	<b>S</b>	<b>C</b>	<b>S</b>	<b>1</b>	<b>2</b>	<b>2</b>	<b>N</b>	<b>P</b>	<b>A</b>	<b>N</b>	2OH (765 mm)		370	306		
<b>W</b>	<b>N</b>	<b>S</b>	<b>S</b>	<b>C</b>	<b>S</b>	<b>1</b>	<b>2</b>	<b>3</b>	<b>N</b>	<b>P</b>	<b>A</b>	<b>N</b>	3OH (1117 mm)		373	309		
<b>W</b>	<b>N</b>	<b>S</b>	<b>S</b>	<b>C</b>	<b>S</b>	<b>1</b>	<b>2</b>	<b>4</b>	<b>N</b>	<b>P</b>	<b>A</b>	<b>N</b>	4OH (1469 mm)		437	373		
													<b>P</b>	18 mm melamine chipboard shelf (standard)	495	432		
													<b>G</b>	25 mm melamine chipboard shelf, surcharge of 6 EUR/2 shelves (1 level)				
													<b>M</b>	Metal shelf, surcharge 8 EUR				
													<b>C</b>	Cabinet with metal base (as shown in illustration)				
													<b>F</b>	Cabinet on feet				

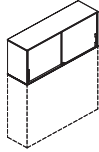
## Upper - sliding door cabinets, width 1200 mm, depth 445 mm

													<b>A</b>	Standard metal handles	<b>Melamine + 1</b>	
													<b>C</b>	Beech wood handles, surcharge 10 EUR		
													<b>F</b>	Oak wood handles, surcharge 10 EUR		
													<b>G</b>	Beech wood handles - white, surcharge 10 EUR		
													<b>H</b>	Beech wood handles - black, surcharge 10 EUR		
<b>W</b>	<b>N</b>	<b>S</b>	<b>S</b>	<b>A</b>	<b>S</b>	<b>1</b>	<b>2</b>	<b>0</b>	<b>N</b>	<b>N</b>	<b>A</b>	<b>N</b>	1OH (370 mm)			
<b>W</b>	<b>N</b>	<b>S</b>	<b>S</b>	<b>A</b>	<b>S</b>	<b>1</b>	<b>2</b>	<b>2</b>	<b>N</b>	<b>P</b>	<b>A</b>	<b>N</b>	2OH (722 mm)		245	306
<b>W</b>	<b>N</b>	<b>S</b>	<b>S</b>	<b>A</b>	<b>S</b>	<b>1</b>	<b>2</b>	<b>3</b>	<b>N</b>	<b>P</b>	<b>A</b>	<b>N</b>	3OH (1074 mm)		306	366
<b>W</b>	<b>N</b>	<b>S</b>	<b>S</b>	<b>A</b>	<b>S</b>	<b>1</b>	<b>2</b>	<b>4</b>	<b>N</b>	<b>P</b>	<b>A</b>	<b>N</b>	4OH (1426 mm)		366	427
													<b>P</b>	18 mm melamine chipboard shelf (standard)		
													<b>G</b>	25 mm melamine chipboard shelf, surcharge of 6 EUR/2 shelves (1 level)		
													<b>M</b>	Metal shelf, surcharge 8 EUR		

Sliding door cabinets, width 1600 mm, depth 445 mm

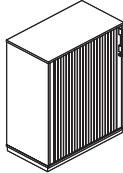
											<b>A</b>	Standard metal handles	<b>Melamine + 1</b>					
											<b>C</b>	Beech wood handles, surcharge 10 EUR						
											<b>F</b>	Oak wood handles, surcharge 10 EUR						
											<b>G</b>	Beech wood handles – white, surcharge 10 EUR						
											<b>H</b>	Beech wood handles – black, surcharge 10 EUR						
<b>W</b>	<b>N</b>	<b>S</b>	<b>S</b>	<b>C</b>	<b>S</b>	<b>1</b>	<b>6</b>	<b>1</b>	<b>N</b>	<b>P</b>	<b>A</b>	<b>N</b>	1,5OH (740mm)		<b>C</b>	Cabinet with metal base: AL, CZ, BI	<b>F</b>	Cabinet on feet
<b>W</b>	<b>N</b>	<b>S</b>	<b>S</b>	<b>C</b>	<b>S</b>	<b>1</b>	<b>6</b>	<b>2</b>	<b>N</b>	<b>P</b>	<b>A</b>	<b>N</b>	2OH (765mm)		441	370		
<b>W</b>	<b>N</b>	<b>S</b>	<b>S</b>	<b>C</b>	<b>S</b>	<b>1</b>	<b>6</b>	<b>3</b>	<b>N</b>	<b>P</b>	<b>A</b>	<b>N</b>	3OH (1117mm)		445	374		
<b>W</b>	<b>N</b>	<b>S</b>	<b>S</b>	<b>C</b>	<b>S</b>	<b>1</b>	<b>6</b>	<b>4</b>	<b>N</b>	<b>P</b>	<b>A</b>	<b>N</b>	4OH (1469mm)		519	448		
											<b>P</b>	18 mm melamine chipboard shelf (standard)	602	530				
											<b>G</b>	25 mm melamine chipboard shelf, surcharge of 7 EUR/2 shelves (1 level)						
											<b>C</b>	Cabinet with metal base (as shown in illustration)						
											<b>F</b>	Cabinet on feet						

Upper – sliding door cabinets, width 1600 mm, depth 445 mm

											<b>A</b>	Standard metal handles	<b>Melamine + 1</b>			
											<b>C</b>	Beech wood handles, surcharge 10 EUR				
											<b>F</b>	Oak wood handles, surcharge 10 EUR				
											<b>G</b>	Beech wood handles – white, surcharge 10 EUR				
											<b>H</b>	Beech wood handles – black, surcharge 10 EUR				
<b>W</b>	<b>N</b>	<b>S</b>	<b>S</b>	<b>A</b>	<b>S</b>	<b>1</b>	<b>6</b>	<b>0</b>	<b>N</b>	<b>N</b>	<b>A</b>	<b>N</b>	1OH (370mm)			
<b>W</b>	<b>N</b>	<b>S</b>	<b>S</b>	<b>A</b>	<b>S</b>	<b>1</b>	<b>6</b>	<b>2</b>	<b>N</b>	<b>P</b>	<b>A</b>	<b>N</b>	2OH (722mm)		296	
<b>W</b>	<b>N</b>	<b>S</b>	<b>S</b>	<b>A</b>	<b>S</b>	<b>1</b>	<b>6</b>	<b>3</b>	<b>N</b>	<b>P</b>	<b>A</b>	<b>N</b>	3OH (1074mm)		371	
<b>W</b>	<b>N</b>	<b>S</b>	<b>S</b>	<b>A</b>	<b>S</b>	<b>1</b>	<b>6</b>	<b>4</b>	<b>N</b>	<b>P</b>	<b>A</b>	<b>N</b>	4OH (1426mm)		428	
											<b>P</b>	18 mm melamine chipboard shelf (standard)	499			
											<b>G</b>	25 mm melamine chipboard shelf, surcharge of 7 EUR/2 shelves (1 level)				

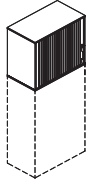
# Cabinets

## Tambour cabinets width 800 mm, depth 445 mm

												Left version	<b>N</b>	<b>P</b>	18 mm melamine chipboard shelf (standard)	<b>Melamine + 1</b>		
												Right version	<b>R</b>	<b>G</b>	25 mm melamine chipboard shelf, surcharge 5 EUR/shelf			
															<b>A</b>	Standard metal handles	<b>C</b> Cabinet with metal base: AL, CZ, BI	<b>F</b> Cabinet on feet
															<b>C</b>	Beech wood handles, surcharge 10 EUR		
															<b>F</b>	Oak wood handles, surcharge 10 EUR		
															<b>G</b>	Beech wood handles - white, surcharge 10 EUR		
															<b>H</b>	Beech wood handles - black, surcharge 10 EUR		
<b>W</b>	<b>N</b>	<b>S</b>	<b>S</b>	<b>C</b>	<b>T</b>	<b>0</b>	<b>8</b>	<b>1</b>	<b>N</b>	<b>P</b>	<b>A</b>	<b>Z</b>	1,5OH (740 mm)		316	263		
<b>W</b>	<b>N</b>	<b>S</b>	<b>S</b>	<b>C</b>	<b>T</b>	<b>0</b>	<b>8</b>	<b>2</b>	<b>N</b>	<b>P</b>	<b>A</b>	<b>Z</b>	2OH (765 mm)		318	265		
<b>W</b>	<b>N</b>	<b>S</b>	<b>S</b>	<b>C</b>	<b>T</b>	<b>0</b>	<b>8</b>	<b>3</b>	<b>N</b>	<b>P</b>	<b>A</b>	<b>Z</b>	3OH (1117 mm)		382	329		
<b>W</b>	<b>N</b>	<b>S</b>	<b>S</b>	<b>C</b>	<b>T</b>	<b>0</b>	<b>8</b>	<b>4</b>	<b>N</b>	<b>P</b>	<b>A</b>	<b>Z</b>	4OH (1469 mm)		487	434		
<b>W</b>	<b>N</b>	<b>S</b>	<b>S</b>	<b>C</b>	<b>T</b>	<b>0</b>	<b>8</b>	<b>5</b>	<b>N</b>	<b>P</b>	<b>A</b>	<b>Z</b>	5OH (1839 mm)		544	490		
													<b>C</b>	Cabinet with metal base (as shown in illustration)				
													<b>F</b>	Cabinet on feet				

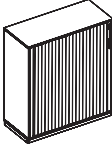
Left version on the drawing

## Upper – tambour cabinets, width 800 mm, depth 445 mm

												Left version	<b>N</b>	<b>P</b>	18 mm melamine chipboard shelf (standard)	<b>Melamine + 1</b>		
												Right version	<b>R</b>	<b>G</b>	25 mm melamine chipboard shelf, surcharge 5 EUR/shelf			
															<b>A</b>	Standard metal handles		
															<b>C</b>	Beech wood handles, surcharge 10 EUR		
															<b>F</b>	Oak wood handles, surcharge 10 EUR		
															<b>G</b>	Beech wood handles - white, surcharge 10 EUR		
															<b>H</b>	Beech wood handles - black, surcharge 10 EUR		
<b>W</b>	<b>N</b>	<b>S</b>	<b>S</b>	<b>A</b>	<b>T</b>	<b>0</b>	<b>8</b>	<b>0</b>	<b>N</b>	<b>N</b>	<b>A</b>	<b>Z</b>	1OH (370 mm)		226			
<b>W</b>	<b>N</b>	<b>S</b>	<b>S</b>	<b>A</b>	<b>T</b>	<b>0</b>	<b>8</b>	<b>2</b>	<b>N</b>	<b>P</b>	<b>A</b>	<b>Z</b>	2OH (722 mm)		263			
<b>W</b>	<b>N</b>	<b>S</b>	<b>S</b>	<b>A</b>	<b>T</b>	<b>0</b>	<b>8</b>	<b>3</b>	<b>N</b>	<b>P</b>	<b>A</b>	<b>Z</b>	3OH (1074 mm)		328			
<b>W</b>	<b>N</b>	<b>S</b>	<b>S</b>	<b>A</b>	<b>T</b>	<b>0</b>	<b>8</b>	<b>4</b>	<b>N</b>	<b>P</b>	<b>A</b>	<b>Z</b>	4OH (1426 mm)		433			

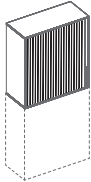
Left version on the drawing

Tambour cabinets width 1000 mm, depth 445 mm

											<b>Melamine + 1</b>					
											<b>C</b> Cabinet with metal base: AL, CZ, BI	<b>F</b> Cabinet on feet				
Left version	<b>N</b>	<b>S</b>	Reinforced shelf													
Right version	<b>R</b>	<b>G</b>	25 mm melamine chipboard shelf, surcharge 5 EUR/shelf													
											<b>A</b>	Standard metal handles				
											<b>C</b>	Beech wood handles, surcharge 10 EUR				
											<b>F</b>	Oak wood handles, surcharge 10 EUR				
											<b>G</b>	Beech wood handles - white, surcharge 10 EUR				
											<b>H</b>	Beech wood handles - black, surcharge 10 EUR				
<b>W</b>	<b>N</b>	<b>S</b>	<b>S</b>	<b>C</b>	<b>T</b>	<b>1</b>	<b>0</b>	<b>1</b>	<b>N</b>	<b>S</b>	<b>A</b>	<b>Z</b>	1,50H (740 mm)		355	310
<b>W</b>	<b>N</b>	<b>S</b>	<b>S</b>	<b>C</b>	<b>T</b>	<b>1</b>	<b>0</b>	<b>2</b>	<b>N</b>	<b>S</b>	<b>A</b>	<b>Z</b>	20H (765 mm)		397	351
<b>W</b>	<b>N</b>	<b>S</b>	<b>S</b>	<b>C</b>	<b>T</b>	<b>1</b>	<b>0</b>	<b>3</b>	<b>N</b>	<b>S</b>	<b>A</b>	<b>Z</b>	30H (1117 mm)		479	434
<b>W</b>	<b>N</b>	<b>S</b>	<b>S</b>	<b>C</b>	<b>T</b>	<b>1</b>	<b>0</b>	<b>4</b>	<b>N</b>	<b>S</b>	<b>A</b>	<b>Z</b>	40H (1469 mm)		561	516
											<b>C</b>	Cabinet with metal base (as shown in illustration)				
											<b>F</b>	Cabinet on feet				

Left version on the drawing

Upper - tambour cabinets, width 1000 mm, depth 445 mm

											<b>Melamine + 1</b>					
Left version	<b>N</b>	<b>S</b>	Reinforced shelf													
Right version	<b>R</b>	<b>G</b>	25 mm melamine chipboard shelf, surcharge 5 EUR/shelf													
											<b>A</b>	Standard metal handles				
											<b>C</b>	Beech wood handles, surcharge 10 EUR				
											<b>F</b>	Oak wood handles, surcharge 10 EUR				
											<b>G</b>	Beech wood handles - white, surcharge 10 EUR				
											<b>H</b>	Beech wood handles - black, surcharge 10 EUR				
<b>W</b>	<b>N</b>	<b>S</b>	<b>S</b>	<b>A</b>	<b>T</b>	<b>1</b>	<b>0</b>	<b>0</b>	<b>N</b>	<b>N</b>	<b>A</b>	<b>Z</b>	10H (370 mm)		230	
<b>W</b>	<b>N</b>	<b>S</b>	<b>S</b>	<b>A</b>	<b>T</b>	<b>1</b>	<b>0</b>	<b>2</b>	<b>R</b>	<b>S</b>	<b>A</b>	<b>Z</b>	20H (722 mm)		291	
<b>W</b>	<b>N</b>	<b>S</b>	<b>S</b>	<b>A</b>	<b>T</b>	<b>1</b>	<b>0</b>	<b>3</b>	<b>R</b>	<b>S</b>	<b>A</b>	<b>Z</b>	30H (1074 mm)		353	
<b>W</b>	<b>N</b>	<b>S</b>	<b>S</b>	<b>A</b>	<b>T</b>	<b>1</b>	<b>0</b>	<b>4</b>	<b>R</b>	<b>S</b>	<b>A</b>	<b>Z</b>	40H (1426 mm)		415	

Left version on the drawing

# Cabinets

## Tambour cabinets, width 1200 mm, depth 445 mm

												Left version	<b>N</b>	<b>P</b>	18 mm chipboard shelf (standard)	<b>Melamine + 1</b>				
												Right version	<b>R</b>	<b>G</b>	25 mm chipboard shelf, surcharge 6 EUR/2 shelves (1 level)			<b>C</b>	<b>F</b>	
																<b>A</b>	Standard metal handles		Cabinet with metal base: AL, CZ, BI	Cabinet on feet
																<b>C</b>	Beech wood handles, surcharge 10 EUR			
																<b>F</b>	Oak wood handles, surcharge 10 EUR			
																<b>G</b>	Beech wood handles - white, surcharge 10 EUR			
																<b>H</b>	Beech wood handles - black, surcharge 10 EUR			
<b>W</b>	<b>N</b>	<b>S</b>	<b>S</b>	<b>C</b>	<b>T</b>	<b>1</b>	<b>2</b>	<b>1</b>	<b>N</b>	<b>P</b>	<b>A</b>	<b>Z</b>	1,5OH (740 mm)	427	352					
<b>W</b>	<b>N</b>	<b>S</b>	<b>S</b>	<b>C</b>	<b>T</b>	<b>1</b>	<b>2</b>	<b>2</b>	<b>N</b>	<b>P</b>	<b>A</b>	<b>Z</b>	2OH (765 mm)	430	354					
<b>W</b>	<b>N</b>	<b>S</b>	<b>S</b>	<b>C</b>	<b>T</b>	<b>1</b>	<b>2</b>	<b>3</b>	<b>N</b>	<b>P</b>	<b>A</b>	<b>Z</b>	3OH (1117 mm)	525	450					
<b>W</b>	<b>N</b>	<b>S</b>	<b>S</b>	<b>C</b>	<b>T</b>	<b>1</b>	<b>2</b>	<b>4</b>	<b>N</b>	<b>P</b>	<b>A</b>	<b>Z</b>	4OH (1469 mm)	683	608					
													<b>C</b>	Cabinet with metal base (as shown in illustration)						
													<b>F</b>	Cabinet on feet						

Left version on the drawing

## Upper – tambour cabinets, width 1200 mm, depth 445 mm

												Left version	<b>N</b>	<b>P</b>	18 mm chipboard shelf (standard)	<b>Melamine + 1</b>				
												Right version	<b>R</b>	<b>G</b>	25 mm chipboard shelf, surcharge 6 EUR/2 shelves (1 level)					
																<b>A</b>	Standard metal handles		Cabinet with metal base: AL, CZ, BI	Cabinet on feet
																<b>C</b>	Beech wood handles, surcharge 10 EUR			
																<b>F</b>	Oak wood handles, surcharge 10 EUR			
																<b>G</b>	Beech wood handles - white, surcharge 10 EUR			
																<b>H</b>	Beech wood handles - black, surcharge 10 EUR			
<b>W</b>	<b>N</b>	<b>S</b>	<b>S</b>	<b>A</b>	<b>T</b>	<b>1</b>	<b>2</b>	<b>0</b>	<b>N</b>	<b>N</b>	<b>A</b>	<b>Z</b>	1OH (370 mm)	281	350					
<b>W</b>	<b>N</b>	<b>S</b>	<b>S</b>	<b>A</b>	<b>T</b>	<b>1</b>	<b>2</b>	<b>2</b>	<b>N</b>	<b>P</b>	<b>A</b>	<b>Z</b>	2OH (722 mm)	447	598					
<b>W</b>	<b>N</b>	<b>S</b>	<b>S</b>	<b>A</b>	<b>T</b>	<b>1</b>	<b>2</b>	<b>3</b>	<b>N</b>	<b>P</b>	<b>A</b>	<b>Z</b>	3OH (1074 mm)							
<b>W</b>	<b>N</b>	<b>S</b>	<b>S</b>	<b>A</b>	<b>T</b>	<b>1</b>	<b>2</b>	<b>4</b>	<b>N</b>	<b>P</b>	<b>A</b>	<b>Z</b>	4OH (1426 mm)							

Left version on the drawing



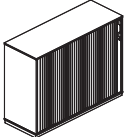
Tambour cabinets, width 1600 mm, depth 445 mm

														<b>Melamine + 1</b>	
														<b>C</b>	<b>F</b>
														Cabinet with metal base: AL, CZ, BI	Cabinet on feet
														485	404
														488	407
														596	515
														768	687

Left version	<b>N</b>	<b>P</b>	18 mm melamine chipboard shelf (standard)										
Right version	<b>R</b>	<b>G</b>	25 mm melamine chipboard shelf, surcharge 7 EUR/2 shelves (1 level)										
		<b>A</b>	Standard metal handles										
		<b>C</b>	Beech wood handles, surcharge 10 EUR										
		<b>F</b>	Oak wood handles, surcharge 10 EUR										
		<b>G</b>	Beech wood handles - white, surcharge 10 EUR										
		<b>H</b>	Beech wood handles - black, surcharge 10 EUR										

<b>W</b>	<b>N</b>	<b>S</b>	<b>S</b>	<b>C</b>	<b>T</b>	<b>1</b>	<b>6</b>	<b>1</b>	<b>N</b>	<b>P</b>	<b>A</b>	<b>Z</b>	1,50H (740 mm)	
<b>W</b>	<b>N</b>	<b>S</b>	<b>S</b>	<b>C</b>	<b>T</b>	<b>1</b>	<b>6</b>	<b>2</b>	<b>N</b>	<b>P</b>	<b>A</b>	<b>Z</b>	20H (765 mm)	
<b>W</b>	<b>N</b>	<b>S</b>	<b>S</b>	<b>C</b>	<b>T</b>	<b>1</b>	<b>6</b>	<b>3</b>	<b>N</b>	<b>P</b>	<b>A</b>	<b>Z</b>	30H (1117 mm)	
<b>W</b>	<b>N</b>	<b>S</b>	<b>S</b>	<b>C</b>	<b>T</b>	<b>1</b>	<b>6</b>	<b>4</b>	<b>N</b>	<b>P</b>	<b>A</b>	<b>Z</b>	40H (1469 mm)	

<b>C</b>	Cabinet with metal base (as shown in illustration)												
<b>F</b>	Cabinet on feet												

Left version on the drawing

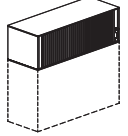
Upper - tambour cabinets, width 1600 mm, depth 445 mm

														<b>Melamine + 1</b>	
														318	
														403	
														510	
														658	

Left version	<b>N</b>	<b>P</b>	18 mm melamine chipboard shelf (standard)										
Right version	<b>R</b>	<b>G</b>	25 mm melamine chipboard shelf, surcharge 7 EUR/2 shelves (1 level)										
		<b>A</b>	Standard metal handles										
		<b>C</b>	Beech wood handles, surcharge 10 EUR										
		<b>F</b>	Oak wood handles, surcharge 10 EUR										
		<b>G</b>	Beech wood handles - white, surcharge 10 EUR										
		<b>H</b>	Beech wood handles - black, surcharge 10 EUR										

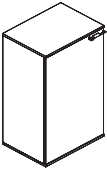
<b>W</b>	<b>N</b>	<b>S</b>	<b>S</b>	<b>A</b>	<b>T</b>	<b>1</b>	<b>6</b>	<b>0</b>	<b>N</b>	<b>N</b>	<b>A</b>	<b>Z</b>	10H (370 mm)	
<b>W</b>	<b>N</b>	<b>S</b>	<b>S</b>	<b>A</b>	<b>T</b>	<b>1</b>	<b>6</b>	<b>2</b>	<b>N</b>	<b>P</b>	<b>A</b>	<b>Z</b>	20H (722 mm)	
<b>W</b>	<b>N</b>	<b>S</b>	<b>S</b>	<b>A</b>	<b>T</b>	<b>1</b>	<b>6</b>	<b>3</b>	<b>N</b>	<b>P</b>	<b>A</b>	<b>Z</b>	30H (1074 mm)	
<b>W</b>	<b>N</b>	<b>S</b>	<b>S</b>	<b>A</b>	<b>T</b>	<b>1</b>	<b>6</b>	<b>4</b>	<b>N</b>	<b>P</b>	<b>A</b>	<b>Z</b>	40H (1426 mm)	

Left version on the drawing

# Cabinets

## Hinged doors cabinets, width 600 mm, depth 445 mm

											<b>N</b>	<b>P</b>	18 mm melamine chipboard shelf (standard)	<b>Melamine + 1</b>	
											<b>R</b>	<b>G</b>	25 mm melamine chipboard shelf, surcharge 4 EUR/shelf		
												<b>M</b>	Metal shelf, surcharge 7 EUR/shelf	<b>C</b>	Cabinet with metal base: AL, CZ, BI
												<b>A</b>	Standard metal handles	<b>F</b>	Cabinet on feet
												<b>C</b>	Beech wood handles, surcharge 10 EUR		
												<b>F</b>	Oak wood handles, surcharge 10 EUR		
												<b>G</b>	Beech wood handles - white, surcharge 10 EUR		
												<b>H</b>	Beech wood handles - black, surcharge 10 EUR		
<b>W</b>	<b>N</b>	<b>S</b>	<b>S</b>	<b>C</b>	<b>W</b>	<b>0</b>	<b>6</b>	<b>1</b>	<b>L</b>	<b>P</b>	<b>A</b>	<b>N</b>	1,5OH (740 mm)	191	156
<b>W</b>	<b>N</b>	<b>S</b>	<b>S</b>	<b>C</b>	<b>W</b>	<b>0</b>	<b>6</b>	<b>2</b>	<b>L</b>	<b>P</b>	<b>A</b>	<b>N</b>	2OH (765 mm)	193	158
<b>W</b>	<b>N</b>	<b>S</b>	<b>S</b>	<b>C</b>	<b>W</b>	<b>0</b>	<b>6</b>	<b>3</b>	<b>L</b>	<b>P</b>	<b>A</b>	<b>N</b>	3OH (1117 mm)	222	187
<b>W</b>	<b>N</b>	<b>S</b>	<b>S</b>	<b>C</b>	<b>W</b>	<b>0</b>	<b>6</b>	<b>4</b>	<b>L</b>	<b>P</b>	<b>A</b>	<b>N</b>	4OH (1469 mm)	281	246
<b>W</b>	<b>N</b>	<b>S</b>	<b>S</b>	<b>C</b>	<b>W</b>	<b>0</b>	<b>6</b>	<b>5</b>	<b>L</b>	<b>P</b>	<b>A</b>	<b>N</b>	5OH (1839 mm)	331	296
<b>W</b>	<b>N</b>	<b>S</b>	<b>S</b>	<b>C</b>	<b>W</b>	<b>0</b>	<b>6</b>	<b>6</b>	<b>L</b>	<b>P</b>	<b>A</b>	<b>N</b>	6OH (2191 mm)	364	329




Left version on the drawing

<b>C</b>	Cabinet with metal base (as shown in illustration)
<b>F</b>	Cabinet on feet

## Upper - hinged door cabinets, width 600 mm, depth 445 mm


											<b>N</b>	<b>P</b>	18 mm melamine chipboard shelf (standard)	<b>Melamine + 1</b>	
											<b>R</b>	<b>G</b>	25 mm melamine chipboard shelf, surcharge 4 EUR/shelf		
												<b>M</b>	Metal shelf, surcharge 7 EUR/shelf		
												<b>A</b>	Standard metal handles		
												<b>C</b>	Beech wood handles, surcharge 10 EUR		
												<b>F</b>	Oak wood handles, surcharge 10 EUR		
												<b>G</b>	Beech wood handles - white, surcharge 10 EUR		
												<b>H</b>	Beech wood handles - black, surcharge 10 EUR		
<b>W</b>	<b>N</b>	<b>S</b>	<b>S</b>	<b>A</b>	<b>W</b>	<b>0</b>	<b>6</b>	<b>0</b>	<b>L</b>	<b>N</b>	<b>A</b>	<b>N</b>	1OH (370 mm)	115	
<b>W</b>	<b>N</b>	<b>S</b>	<b>S</b>	<b>A</b>	<b>W</b>	<b>0</b>	<b>6</b>	<b>2</b>	<b>L</b>	<b>P</b>	<b>A</b>	<b>N</b>	2OH (722 mm)	146	
<b>W</b>	<b>N</b>	<b>S</b>	<b>S</b>	<b>A</b>	<b>W</b>	<b>0</b>	<b>6</b>	<b>3</b>	<b>L</b>	<b>P</b>	<b>A</b>	<b>N</b>	3OH (1074 mm)	176	
<b>W</b>	<b>N</b>	<b>S</b>	<b>S</b>	<b>A</b>	<b>W</b>	<b>0</b>	<b>6</b>	<b>4</b>	<b>L</b>	<b>P</b>	<b>A</b>	<b>N</b>	4OH (1426 mm)	218	



Left version on the drawing

Hinged doors cabinets, width 800 mm, depth 445 mm

											<b>P</b>	18 mm melamine chipboard shelf (standard)	<b>Melamine + 1</b>		
											<b>G</b>	25 mm melamine chipboard shelf, surcharge 5 EUR/shelf			
											<b>M</b>	Metal shelf, surcharge 8 EUR/shelf	<b>C</b> Cabinet with metal base: AL, CZ, BI	<b>F</b> Cabinet on feet	
											<b>A</b>	Standard metal handles			
											<b>C</b>	Beech wood handles, surcharge 10 EUR			
											<b>F</b>	Oak wood handles, surcharge 10 EUR			
											<b>G</b>	Beech wood handles - white, surcharge 10 EUR			
											<b>H</b>	Beech wood handles - black, surcharge 10 EUR			
<b>W</b>	<b>N</b>	<b>S</b>	<b>S</b>	<b>C</b>	<b>W</b>	<b>0</b>	<b>8</b>	<b>1</b>	<b>N</b>	<b>P</b>	<b>A</b>	<b>N</b>	1,50H (740mm)	228	182
<b>W</b>	<b>N</b>	<b>S</b>	<b>S</b>	<b>C</b>	<b>W</b>	<b>0</b>	<b>8</b>	<b>2</b>	<b>N</b>	<b>P</b>	<b>A</b>	<b>N</b>	20H (765mm)	232	186
<b>W</b>	<b>N</b>	<b>S</b>	<b>S</b>	<b>C</b>	<b>W</b>	<b>0</b>	<b>8</b>	<b>3</b>	<b>N</b>	<b>P</b>	<b>A</b>	<b>N</b>	30H (1117mm)	275	230
<b>W</b>	<b>N</b>	<b>S</b>	<b>S</b>	<b>C</b>	<b>W</b>	<b>0</b>	<b>8</b>	<b>4</b>	<b>N</b>	<b>P</b>	<b>A</b>	<b>N</b>	40H (1469mm)	374	329
<b>W</b>	<b>N</b>	<b>S</b>	<b>S</b>	<b>C</b>	<b>W</b>	<b>0</b>	<b>8</b>	<b>5</b>	<b>N</b>	<b>P</b>	<b>A</b>	<b>N</b>	50H (1839mm)	420	375
<b>W</b>	<b>N</b>	<b>S</b>	<b>S</b>	<b>C</b>	<b>W</b>	<b>0</b>	<b>8</b>	<b>6</b>	<b>N</b>	<b>P</b>	<b>A</b>	<b>N</b>	60H (2191mm)	453	408

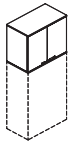


**C** Cabinet with metal base (as shown in illustration)

**F** Cabinet on feet

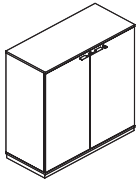
Upper - hinged door cabinets, width 800 mm, depth 445 mm

											<b>P</b>	18 mm melamine chipboard shelf (standard)	<b>Melamine + 1</b>		
											<b>G</b>	25 mm melamine chipboard shelf, surcharge 5 EUR/shelf			
											<b>M</b>	Metal shelf, surcharge 8 EUR/shelf			
											<b>A</b>	Standard metal handles			
											<b>C</b>	Beech wood handles, surcharge 10 EUR			
											<b>F</b>	Oak wood handles, surcharge 10 EUR			
											<b>G</b>	Beech wood handles - white, surcharge 10 EUR			
											<b>H</b>	Beech wood handles - black, surcharge 10 EUR			
<b>W</b>	<b>N</b>	<b>S</b>	<b>S</b>	<b>A</b>	<b>W</b>	<b>0</b>	<b>8</b>	<b>0</b>	<b>N</b>	<b>N</b>	<b>A</b>	<b>N</b>	10H (370mm)	144	
<b>W</b>	<b>N</b>	<b>S</b>	<b>S</b>	<b>A</b>	<b>W</b>	<b>0</b>	<b>8</b>	<b>2</b>	<b>N</b>	<b>P</b>	<b>A</b>	<b>N</b>	20H (722mm)	184	
<b>W</b>	<b>N</b>	<b>S</b>	<b>S</b>	<b>A</b>	<b>W</b>	<b>0</b>	<b>8</b>	<b>3</b>	<b>N</b>	<b>P</b>	<b>A</b>	<b>N</b>	30H (1074mm)	225	
<b>W</b>	<b>N</b>	<b>S</b>	<b>S</b>	<b>A</b>	<b>W</b>	<b>0</b>	<b>8</b>	<b>4</b>	<b>N</b>	<b>P</b>	<b>A</b>	<b>N</b>	40H (1426mm)	282	




# Cabinets

## Hinged doors cabinets, width 1000 mm, depth 445 mm

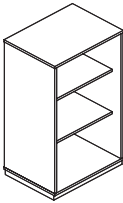
													<b>A</b>	Standard metal handles			
													<b>C</b>	Beech wood handles, surcharge 10 EUR			
													<b>F</b>	Oak wood handles, surcharge 10 EUR			
													<b>G</b>	Beech wood handles - white, surcharge 10 EUR			
													<b>H</b>	Beech wood handles - black, surcharge 10 EUR			
<b>W</b>	<b>N</b>	<b>S</b>	<b>S</b>	<b>C</b>	<b>W</b>	<b>1</b>	<b>0</b>	<b>1</b>	<b>N</b>	<b>S</b>	<b>A</b>	<b>N</b>	1,5OH (740mm)			<b>Melamine + 1</b>	
<b>W</b>	<b>N</b>	<b>S</b>	<b>S</b>	<b>C</b>	<b>W</b>	<b>1</b>	<b>0</b>	<b>2</b>	<b>N</b>	<b>S</b>	<b>A</b>	<b>N</b>	2OH (765mm)			<b>C</b>	<b>F</b>
<b>W</b>	<b>N</b>	<b>S</b>	<b>S</b>	<b>C</b>	<b>W</b>	<b>1</b>	<b>0</b>	<b>3</b>	<b>N</b>	<b>S</b>	<b>A</b>	<b>N</b>	3OH (1117mm)			Cabinet with metal base: AL, CZ, BI	Cabinet on feet
<b>W</b>	<b>N</b>	<b>S</b>	<b>S</b>	<b>C</b>	<b>W</b>	<b>1</b>	<b>0</b>	<b>4</b>	<b>N</b>	<b>S</b>	<b>A</b>	<b>N</b>	4OH (1469mm)				
<b>W</b>	<b>N</b>	<b>S</b>	<b>S</b>	<b>C</b>	<b>W</b>	<b>1</b>	<b>0</b>	<b>5</b>	<b>N</b>	<b>S</b>	<b>A</b>	<b>N</b>	5OH (1839mm)				
<b>W</b>	<b>N</b>	<b>S</b>	<b>S</b>	<b>C</b>	<b>W</b>	<b>1</b>	<b>0</b>	<b>6</b>	<b>N</b>	<b>S</b>	<b>A</b>	<b>N</b>	6OH (2191mm)				
													<b>S</b>	Reinforced shelf			
													<b>M</b>	Metal shelf			
													<b>C</b>	Cabinet with metal base (as shown in illustration)			
													<b>F</b>	Cabinet on feet			

## Upper - hinged door cabinets, width 1000 mm, depth 445 mm

													<b>A</b>	Standard metal handles			
													<b>C</b>	Beech wood handles, surcharge 10 EUR			
													<b>F</b>	Oak wood handles, surcharge 10 EUR			
													<b>G</b>	Beech wood handles - white, surcharge 10 EUR			
													<b>H</b>	Beech wood handles - black, surcharge 10 EUR			
<b>W</b>	<b>N</b>	<b>S</b>	<b>S</b>	<b>A</b>	<b>W</b>	<b>1</b>	<b>0</b>	<b>0</b>	<b>N</b>	<b>N</b>	<b>A</b>	<b>N</b>	1OH (370mm)			<b>Melamine + 1</b>	
<b>W</b>	<b>N</b>	<b>S</b>	<b>S</b>	<b>A</b>	<b>W</b>	<b>1</b>	<b>0</b>	<b>2</b>	<b>N</b>	<b>S</b>	<b>A</b>	<b>N</b>	2OH (722mm)				
<b>W</b>	<b>N</b>	<b>S</b>	<b>S</b>	<b>A</b>	<b>W</b>	<b>1</b>	<b>0</b>	<b>3</b>	<b>N</b>	<b>S</b>	<b>A</b>	<b>N</b>	3OH (1074mm)				
<b>W</b>	<b>N</b>	<b>S</b>	<b>S</b>	<b>A</b>	<b>W</b>	<b>1</b>	<b>0</b>	<b>4</b>	<b>N</b>	<b>S</b>	<b>A</b>	<b>N</b>	4OH (1426mm)				
													<b>S</b>	Reinforced shelf			
													<b>M</b>	Metal shelf			

Open cabinets, width 600 mm, depth 445 mm

											<b>P</b>	18 mm melamine chipboard shelf (standard)		<b>Melamine + 1</b>	
											<b>G</b>	25 mm melamine chipboard shelf, surcharge 4 EUR/shelf		<b>C</b>	<b>F</b>
											<b>M</b>	Metal shelf, surcharge 7 EUR/shelf		Cabinet with metal base: AL, CZ, BI	Cabinet on feet
<b>W</b>	<b>N</b>	<b>S</b>	<b>S</b>	<b>C</b>	<b>N</b>	<b>0</b>	<b>6</b>	<b>1</b>	<b>N</b>	<b>P</b>	<b>N</b>	<b>N</b>	1,50H (740 mm)	163	115
<b>W</b>	<b>N</b>	<b>S</b>	<b>S</b>	<b>C</b>	<b>N</b>	<b>0</b>	<b>6</b>	<b>2</b>	<b>N</b>	<b>P</b>	<b>N</b>	<b>N</b>	20H (765 mm)	164	117
<b>W</b>	<b>N</b>	<b>S</b>	<b>S</b>	<b>C</b>	<b>N</b>	<b>0</b>	<b>6</b>	<b>3</b>	<b>N</b>	<b>P</b>	<b>N</b>	<b>N</b>	30H (1117 mm)	194	147
<b>W</b>	<b>N</b>	<b>S</b>	<b>S</b>	<b>C</b>	<b>N</b>	<b>0</b>	<b>6</b>	<b>4</b>	<b>N</b>	<b>P</b>	<b>N</b>	<b>N</b>	40H (1469 mm)	228	182
<b>W</b>	<b>N</b>	<b>S</b>	<b>S</b>	<b>C</b>	<b>N</b>	<b>0</b>	<b>6</b>	<b>5</b>	<b>N</b>	<b>P</b>	<b>N</b>	<b>N</b>	50H (1839 mm)	261	216
<b>W</b>	<b>N</b>	<b>S</b>	<b>S</b>	<b>C</b>	<b>N</b>	<b>0</b>	<b>6</b>	<b>6</b>	<b>N</b>	<b>P</b>	<b>N</b>	<b>N</b>	60H (2191 mm)	286	242

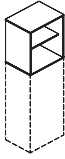


**C** Cabinet with metal base (as shown in illustration)

**F** Cabinet on feet

Upper – open cabinets, width 600 mm, depth 445 mm

											<b>P</b>	18 mm melamine chipboard shelf (standard)		<b>Melamine + 1</b>
											<b>G</b>	25 mm melamine chipboard shelf, surcharge 4 EUR/shelf		
											<b>M</b>	Metal shelf, surcharge 7 EUR/shelf		
<b>W</b>	<b>N</b>	<b>S</b>	<b>S</b>	<b>A</b>	<b>N</b>	<b>0</b>	<b>6</b>	<b>0</b>	<b>N</b>	<b>N</b>	<b>N</b>	<b>N</b>	10H (370 mm)	91
<b>W</b>	<b>N</b>	<b>S</b>	<b>S</b>	<b>A</b>	<b>N</b>	<b>0</b>	<b>6</b>	<b>2</b>	<b>N</b>	<b>P</b>	<b>N</b>	<b>N</b>	20H (722 mm)	119
<b>W</b>	<b>N</b>	<b>S</b>	<b>S</b>	<b>A</b>	<b>N</b>	<b>0</b>	<b>6</b>	<b>3</b>	<b>N</b>	<b>P</b>	<b>N</b>	<b>N</b>	30H (1074 mm)	149
<b>W</b>	<b>N</b>	<b>S</b>	<b>S</b>	<b>A</b>	<b>N</b>	<b>0</b>	<b>6</b>	<b>4</b>	<b>N</b>	<b>P</b>	<b>N</b>	<b>N</b>	40H (1426 mm)	185



# Cabinets

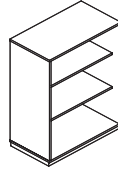
Open cabinets, width 800 mm, depth 445 mm

SQart Workstation

													<b>Melamine + 1</b>				
													<b>C</b>	<b>F</b>			
													Cabinet with metal base: AL, CZ, BI		Cabinet on feet		
													<b>P</b>	18 mm melamine chipboard shelf (standard)			
													<b>G</b>	25 mm melamine chipboard shelf, surcharge 5 EUR/shelf			
													<b>M</b>	Metal shelf, surcharge 8 EUR/shelf			
<b>W</b>	<b>N</b>	<b>S</b>	<b>S</b>	<b>C</b>	<b>N</b>	<b>O</b>	<b>8</b>	<b>1</b>	<b>N</b>	<b>P</b>	<b>N</b>	<b>N</b>	1,5OH (740mm)	178	131		
<b>W</b>	<b>N</b>	<b>S</b>	<b>S</b>	<b>C</b>	<b>N</b>	<b>O</b>	<b>8</b>	<b>2</b>	<b>N</b>	<b>P</b>	<b>N</b>	<b>N</b>	2OH (765mm)	179	132		
<b>W</b>	<b>N</b>	<b>S</b>	<b>S</b>	<b>C</b>	<b>N</b>	<b>O</b>	<b>8</b>	<b>3</b>	<b>N</b>	<b>P</b>	<b>N</b>	<b>N</b>	3OH (1117mm)	215	168		
<b>W</b>	<b>N</b>	<b>S</b>	<b>S</b>	<b>C</b>	<b>N</b>	<b>O</b>	<b>8</b>	<b>4</b>	<b>N</b>	<b>P</b>	<b>N</b>	<b>N</b>	4OH (1469mm)	259	211		
<b>W</b>	<b>N</b>	<b>S</b>	<b>S</b>	<b>C</b>	<b>N</b>	<b>O</b>	<b>8</b>	<b>5</b>	<b>N</b>	<b>P</b>	<b>N</b>	<b>N</b>	5OH (1839mm)	294	246		
<b>W</b>	<b>N</b>	<b>S</b>	<b>S</b>	<b>C</b>	<b>N</b>	<b>O</b>	<b>8</b>	<b>6</b>	<b>N</b>	<b>P</b>	<b>N</b>	<b>N</b>	6OH (2191mm)	321	274		

<b>C</b>	Cabinet with metal base (as shown in illustration)
<b>F</b>	Cabinet on feet



Upper – open cabinets, width 800 mm, depth 445 mm

													<b>Melamine + 1</b>				
													<b>P</b>	18 mm melamine chipboard shelf (standard)			
													<b>G</b>	25 mm melamine chipboard shelf, surcharge 5 EUR/shelf			
													<b>M</b>	Metal shelf, surcharge 8 EUR/shelf			
<b>W</b>	<b>N</b>	<b>S</b>	<b>S</b>	<b>A</b>	<b>N</b>	<b>O</b>	<b>8</b>	<b>0</b>	<b>N</b>	<b>N</b>	<b>N</b>	<b>N</b>	1OH (370mm)	100			
<b>W</b>	<b>N</b>	<b>S</b>	<b>S</b>	<b>A</b>	<b>N</b>	<b>O</b>	<b>8</b>	<b>2</b>	<b>N</b>	<b>P</b>	<b>N</b>	<b>N</b>	2OH (722mm)	134			
<b>W</b>	<b>N</b>	<b>S</b>	<b>S</b>	<b>A</b>	<b>N</b>	<b>O</b>	<b>8</b>	<b>3</b>	<b>N</b>	<b>P</b>	<b>N</b>	<b>N</b>	3OH (1074mm)	169			
<b>W</b>	<b>N</b>	<b>S</b>	<b>S</b>	<b>A</b>	<b>N</b>	<b>O</b>	<b>8</b>	<b>4</b>	<b>N</b>	<b>P</b>	<b>N</b>	<b>N</b>	4OH (1426mm)	213			

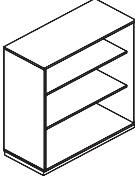
  

<b>C</b>	Cabinet with metal base (as shown in illustration)
<b>F</b>	Cabinet on feet



Open cabinets, width 1000 mm, depth 445 mm

													Melamine + 1		
													C	F	
													Cabinet with metal base: AL, CZ, BI	Open cabinet on feet	
W	N	S	S	C	N	1	0	1	N	S	N	N	1,5OH (740 mm)	218	166
W	N	S	S	C	N	1	0	2	N	S	N	N	2OH (765 mm)	220	168
W	N	S	S	C	N	1	0	3	N	S	N	N	3OH (1117 mm)	281	229
W	N	S	S	C	N	1	0	4	N	S	N	N	4OH (1469 mm)	351	299
W	N	S	S	C	N	1	0	5	N	S	N	N	5OH (1839 mm)	414	362
W	N	S	S	C	N	1	0	6	N	S	N	N	6OH (2191 mm)	469	416



**S** Reinforced shelf

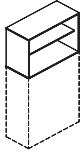
**M** Metal shelf

**C** Cabinet with metal base (as shown in illustration)

**F** Cabinet on feet

Upper - open cabinets, width 1000 mm, depth 445 mm

													Melamine + 1		
W	N	S	S	A	N	1	0	0	N	N	N	N	1OH (370 mm)	108	
W	N	S	S	A	N	1	0	2	N	S	N	N	2OH (722 mm)	169	
W	N	S	S	A	N	1	0	3	N	S	N	N	3OH (1074 mm)	232	
W	N	S	S	A	N	1	0	4	N	S	N	N	4OH (1426 mm)	266	




**S** Reinforced shelf

**M** Metal shelf

Glass doors cabinets, width 800 mm, depth 445 mm

													Melamine + 1			
													C	F		
													Cabinet with metal base: AL, CZ, BI	Cabinet on feet		
													<b>P</b>	18 mm melamine chipboard shelf (standard)		
													<b>G</b>	25 mm melamine chipboard shelf, surcharge 5 EUR/shelf		
W	N	S	S	C	G	0	8	2	N	P	A	N	2OH (765 mm)	349	302	
W	N	S	S	C	G	0	8	3	N	P	A	N	3OH (1117 mm)	419	372	
W	N	S	S	C	G	0	8	4	N	P	A	N	4OH (1469 mm)	538	490	



**C** Cabinet with metal base (as shown in illustration)

**F** Cabinet on feet

# Cabinets

## Upper – glass hinged door cabinets, width 800 mm, depth 445 mm

											P	18 mm melamine chipboard shelf (standard)		Melamine + 1		
											G	25 mm melamine chipboard shelf, surcharge 5 EUR/shelf				
W	N	S	S	A	G	0	8	2	N	P	A	N	20H (722mm)		304	
W	N	S	S	A	G	0	8	3	N	P	A	N	30H (1074mm)		374	
W	N	S	S	A	G	0	8	4	N	P	A	N	40H (1426mm)		505	

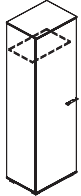
## Cabinets with drawers, width 800 mm, depth 445 mm

											A	Standard metal handles			Melamine + 1		
											C	Beech wood handles, surcharge 10 EUR			D	E	F
											F	Oak wood handles, surcharge 10 EUR			file frame	file frame + drawer	metal drawers
											G	Beech wood handles – white, surcharge 10 EUR					
											H	Beech wood handles – black, surcharge 10 EUR					
W	N	S	S	C	D	0	8	2	N	N	A	Z	20H (765mm) with metal base (alu, black, white)	569	702	840	
W	N	S	S	F	D	0	8	2	N	N	A	Z	20H (765mm) on feet	522	656	794	
W	N	S	S	C	D	0	8	3	N	N	A	Z	30H (1117mm) with metal base (alu, black, white)	751	889	1170	
W	N	S	S	F	D	0	8	3	N	N	A	Z	30H (1117mm) on feet	705	843	1124	

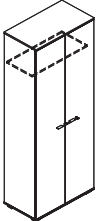
- D** Filing frame drawers (20H – 2 drawers , 30H – 3 drawers )
- E** Filing frame drawers+metal drawers (20H – 1 +2, 30H – 2 +2)
- F** Metal drawers (20H – 4 drawers , 30H – 6 drawers )



Wardrobe cabinets, width 600 mm, depth 445 mm

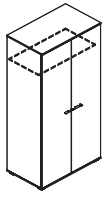
													Melamine + 1		
													<b>C</b> Cabinet with metal base: AL, CZ, BI	<b>F</b> Cabinet on feet	
<b>A</b>	Standard metal handles														
<b>C</b>	Beech wood handles, surcharge 10 EUR														
<b>F</b>	Oak wood handles, surcharge 10 EUR														
<b>G</b>	Beech wood handles - white, surcharge 10 EUR														
<b>H</b>	Beech wood handles - black, surcharge 10 EUR														
<b>W</b>	<b>N</b>	<b>S</b>	<b>S</b>	<b>C</b>	<b>U</b>	<b>0</b>	<b>6</b>	<b>5</b>	<b>L</b>	<b>P</b>	<b>A</b>	<b>N</b>	50H (1839mm)	297	261
<b>W</b>	<b>N</b>	<b>S</b>	<b>S</b>	<b>C</b>	<b>U</b>	<b>0</b>	<b>6</b>	<b>6</b>	<b>L</b>	<b>P</b>	<b>A</b>	<b>N</b>	60H (2191mm)	318	282
													<b>L</b>	Left version	
													<b>R</b>	Right version	
													<b>C</b>	Cabinet with metal base (as shown in illustration)	
													<b>F</b>	Cabinet on feet	

Wardrobe cabinets, width 800 mm, depth 445 mm


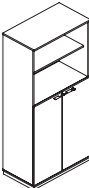
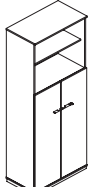
													Melamine + 1		
													<b>C</b> Cabinet with metal base: AL, CZ, BI	<b>F</b> Cabinet on feet	
<b>A</b>	Standard metal handles														
<b>C</b>	Beech wood handles, surcharge 10 EUR														
<b>F</b>	Oak wood handles, surcharge 10 EUR														
<b>G</b>	Beech wood handles - white, surcharge 10 EUR														
<b>H</b>	Beech wood handles - black, surcharge 10 EUR														
<b>W</b>	<b>N</b>	<b>S</b>	<b>S</b>	<b>C</b>	<b>U</b>	<b>0</b>	<b>8</b>	<b>5</b>	<b>N</b>	<b>P</b>	<b>A</b>	<b>N</b>	50H (1839mm)	383	345
<b>W</b>	<b>N</b>	<b>S</b>	<b>S</b>	<b>C</b>	<b>U</b>	<b>0</b>	<b>8</b>	<b>6</b>	<b>N</b>	<b>P</b>	<b>A</b>	<b>N</b>	60H (2191mm)	407	369
													<b>C</b>	Cabinet with metal base (as shown in illustration)	
													<b>F</b>	Cabinet on feet	

# Cabinets

Wardrobe cabinets, width 800 mm, depth 600 mm

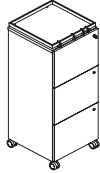
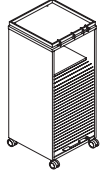
											<b>Melamine + 1</b>						
											<b>M</b>	<b>K</b>					
											Cabinet with metal base: AL, CZ, BI	Cabinet on feet					
<b>A</b>	Standard metal handles																
<b>C</b>	Beech wood handles, surcharge 10 EUR																
<b>F</b>	Oak wood handles, surcharge 10 EUR																
<b>G</b>	Beech wood handles – white, surcharge 10 EUR																
<b>H</b>	Beech wood handles – black, surcharge 10 EUR																
<b>W</b>	<b>N</b>	<b>S</b>	<b>S</b>	<b>M</b>	<b>U</b>	<b>0</b>	<b>8</b>	<b>5</b>	<b>N</b>	<b>P</b>	<b>A</b>	<b>N</b>	50H (1839mm)	410	371		
<b>W</b>	<b>N</b>	<b>S</b>	<b>S</b>	<b>M</b>	<b>U</b>	<b>0</b>	<b>8</b>	<b>6</b>	<b>N</b>	<b>P</b>	<b>A</b>	<b>N</b>	60H (2191mm)	438	399		
				<b>M</b>	Cabinet with metal base												
				<b>K</b>	Cabinet on feet												

Combi cabinets, width 800 mm, depth 445 mm

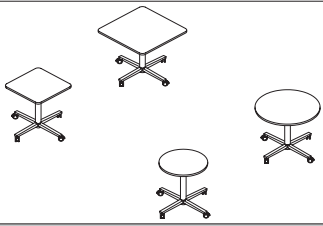
													<b>Melamine + 1</b>							
													<b>C</b> Cabinet with metal base: AL, CZ, BI	<b>F</b> Cabinet on feet	set of cabinet + open cabinet [OH]					
				<b>C</b>	Cabinet with metal base (as shown in illustration)															
				<b>F</b>	Cabinet on feet															
<b>W</b>	<b>N</b>	<b>S</b>	<b>S</b>	<b>C</b>	<b>B</b>	<b>0</b>	<b>8</b>	<b>3</b>	<b>N</b>	<b>P</b>	<b>A</b>	<b>N</b>	30H (1117mm)		272	227	2 + 1			
<b>W</b>	<b>N</b>	<b>S</b>	<b>S</b>	<b>C</b>	<b>B</b>	<b>0</b>	<b>8</b>	<b>4</b>	<b>N</b>	<b>P</b>	<b>A</b>	<b>N</b>	40H (1469mm)		334	288	2 + 2			
<b>W</b>	<b>N</b>	<b>S</b>	<b>S</b>	<b>C</b>	<b>B</b>	<b>0</b>	<b>8</b>	<b>5</b>	<b>N</b>	<b>P</b>	<b>A</b>	<b>N</b>	50H (1839mm)		350	305	2 + 3			
<b>W</b>	<b>N</b>	<b>S</b>	<b>S</b>	<b>C</b>	<b>B</b>	<b>0</b>	<b>8</b>	<b>6</b>	<b>N</b>	<b>P</b>	<b>A</b>	<b>N</b>	60H (2191mm)		377	332	2 + 4			
<b>W</b>	<b>N</b>	<b>S</b>	<b>S</b>	<b>C</b>	<b>C</b>	<b>0</b>	<b>8</b>	<b>4</b>	<b>N</b>	<b>P</b>	<b>A</b>	<b>N</b>	40H (1469mm)		330	284	3 + 1			
<b>W</b>	<b>N</b>	<b>S</b>	<b>S</b>	<b>C</b>	<b>C</b>	<b>0</b>	<b>8</b>	<b>5</b>	<b>N</b>	<b>P</b>	<b>A</b>	<b>N</b>	50H (1839mm)		360	315	3 + 2			
<b>W</b>	<b>N</b>	<b>S</b>	<b>S</b>	<b>C</b>	<b>C</b>	<b>0</b>	<b>8</b>	<b>6</b>	<b>N</b>	<b>P</b>	<b>A</b>	<b>N</b>	60H (2191mm)		387	342	3 + 3			
<b>W</b>	<b>N</b>	<b>S</b>	<b>S</b>	<b>C</b>	<b>H</b>	<b>0</b>	<b>8</b>	<b>6</b>	<b>N</b>	<b>P</b>	<b>A</b>	<b>N</b>	60H (2191mm)		433	387	4 + 2			
				<b>A</b>	Standard metal handles															
				<b>C</b>	Beech wood handles, surcharge 10 EUR															
				<b>F</b>	Oak wood handles, surcharge 10 EUR															
				<b>G</b>	Beech wood handles - white, surcharge 10 EUR															
				<b>H</b>	Beech wood handles - black, surcharge 10 EUR															

# Auxiliary furniture

## Caddy

										<b>Melamine + 1</b>	
										metal frame only CZ	
<b>W</b>	<b>N</b>	<b>S</b>	<b>C</b>	<b>D</b>	<b>0 2</b>	<b>R</b>	<b>N</b>	<b>Z</b>	Closed Caddy - panel door, height 30H (1263mm), width 480 mm, depth 500 mm		376
<b>W</b>	<b>N</b>	<b>S</b>	<b>C</b>	<b>D</b>	<b>0 3</b>	<b>R</b>	<b>N</b>	<b>Z</b>	Closed Caddy - tambour door, height 30H (1263mm), width 480 mm, depth 480 mm		323

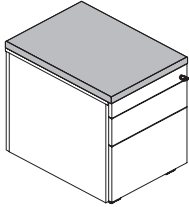
## Mobile tables

										<b>Melamine + 1</b>	
										colour of the base: AL, BI	
<b>L</b>	2 mm laser edge for selected melamine decors: NB, NJ, NH, BI, MP, MB - surcharge 25 EUR										
<b>W</b>	<b>N</b>	<b>S</b>	<b>T</b>	<b>M</b>	<b>6 0</b>	<b>N</b>	<b>N</b>	height 740mm	d = 600 mm	186	
<b>W</b>	<b>N</b>	<b>S</b>	<b>T</b>	<b>M</b>	<b>6 0</b>	<b>H</b>	<b>N</b>	pneumatic height adjustment (720-1110 mm)	d = 600 mm	541	
<b>W</b>	<b>N</b>	<b>S</b>	<b>T</b>	<b>M</b>	<b>8 0</b>	<b>N</b>	<b>N</b>	height 740mm	d = 800 mm	207	
<b>W</b>	<b>N</b>	<b>S</b>	<b>T</b>	<b>M</b>	<b>8 0</b>	<b>H</b>	<b>N</b>	pneumatic height adjustment (720-1110 mm)	d = 800 mm	561	
<b>W</b>	<b>N</b>	<b>S</b>	<b>T</b>	<b>M</b>	<b>6 6</b>	<b>N</b>	<b>N</b>	height 740mm	600 × 600 mm	188	
<b>W</b>	<b>N</b>	<b>S</b>	<b>T</b>	<b>M</b>	<b>6 6</b>	<b>H</b>	<b>N</b>	pneumatic height adjustment (720-1110 mm)	600 × 600 mm	542	
<b>W</b>	<b>N</b>	<b>S</b>	<b>T</b>	<b>M</b>	<b>8 8</b>	<b>N</b>	<b>N</b>	height 740mm	800 × 800 mm	210	
<b>W</b>	<b>N</b>	<b>S</b>	<b>T</b>	<b>M</b>	<b>8 8</b>	<b>H</b>	<b>N</b>	pneumatic height adjustment (720-1110 mm)	800 × 800 mm	563	

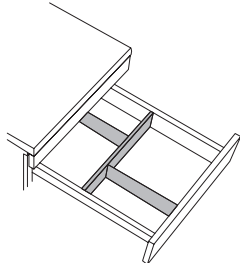
## Sound-absorbing pads for cabinet back

							Blazer fabric	
<b>W</b>	<b>N</b>	<b>S</b>	<b>A</b>	<b>U</b>	<b>X</b>	<b>6 1</b>	30H 800 mm	162
<b>W</b>	<b>N</b>	<b>S</b>	<b>A</b>	<b>U</b>	<b>X</b>	<b>6 2</b>	30H 1000 mm	178
<b>W</b>	<b>N</b>	<b>S</b>	<b>A</b>	<b>U</b>	<b>X</b>	<b>6 3</b>	30H 1200 mm	195
<b>W</b>	<b>N</b>	<b>S</b>	<b>A</b>	<b>U</b>	<b>X</b>	<b>6 4</b>	40H 800 mm	186
<b>W</b>	<b>N</b>	<b>S</b>	<b>A</b>	<b>U</b>	<b>X</b>	<b>6 5</b>	40H 1000 mm	203
<b>W</b>	<b>N</b>	<b>S</b>	<b>A</b>	<b>U</b>	<b>X</b>	<b>6 6</b>	40H 1200 mm	219
<b>W</b>	<b>N</b>	<b>S</b>	<b>A</b>	<b>U</b>	<b>X</b>	<b>6 7</b>	50H 800 mm	194

## Upholstered pad for mobile pedestal

							Lucia, Bondai fabric	Blazer, Synergy fabric	
									
<b>W</b>	<b>N</b>	<b>S</b>	<b>A</b>	<b>U</b>	<b>X</b>	<b>3 6</b>	600 × 430 mm (for pedestals with 600 mm depth)	40	55
<b>W</b>	<b>N</b>	<b>S</b>	<b>A</b>	<b>U</b>	<b>X</b>	<b>3 7</b>	800 × 430 mm (for pedestals with 800 mm depth)	49	64
<b>W</b>	<b>N</b>	<b>S</b>	<b>A</b>	<b>U</b>	<b>X</b>	<b>4 9</b>	600 × 332 mm (for slim pedestals with 600 mm depth)	38	53


## Dividers for pedestal drawers

								
<b>W</b>	<b>N</b>	<b>S</b>	<b>A</b>	<b>U</b>	<b>X</b>	<b>3 8</b>	crosswise plastic divider (length 325 mm)	6
<b>W</b>	<b>N</b>	<b>S</b>	<b>A</b>	<b>U</b>	<b>X</b>	<b>3 9</b>	lengthwise metal divider "A4" (length 310 mm)	8
<b>W</b>	<b>N</b>	<b>S</b>	<b>A</b>	<b>U</b>	<b>X</b>	<b>4 0</b>	lengthwise metal divider "A5" (length 220 mm)	7

dividers only in black colour


# Additional elements

## Vertical wire trunking made of metal

					<b>AL, CZ, BI</b>	
						
<b>W</b>	<b>N</b>	<b>S</b>	<b>K</b>	<b>P</b>	<b>0 3</b>	1 piece
					20	

wire trunking mounted to SQart rectangular leg

## Desk frame metal cover panel

					<b>AL, CZ, BI</b>				
									
					<b>desk depth</b>				
<b>W</b>	<b>N</b>	<b>S</b>	<b>A</b>	<b>U</b>	<b>X</b>	3 5	1 set (2 pcs.)	800 mm	39
<b>W</b>	<b>N</b>	<b>S</b>	<b>A</b>	<b>U</b>	<b>X</b>	4 1	1 set (2 pcs.)	900 mm	41
<b>W</b>	<b>N</b>	<b>S</b>	<b>A</b>	<b>U</b>	<b>X</b>	4 2	1 set (2 pcs.)	1000 mm	43
<b>W</b>	<b>N</b>	<b>S</b>	<b>A</b>	<b>U</b>	<b>X</b>	4 8	1 set (2 pcs.)	1000/800 mm	41

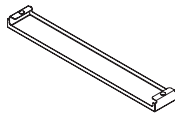
## Conference table frame metal cover panel

					<b>AL, CZ, BI</b>				
<b>W</b>	<b>N</b>	<b>S</b>	<b>A</b>	<b>U</b>	<b>X</b>	4 3	1 set (2 pcs.)	1000 mm	43
<b>W</b>	<b>N</b>	<b>S</b>	<b>A</b>	<b>U</b>	<b>X</b>	4 4	1 set (2 pcs.)	1200 mm	45
<b>W</b>	<b>N</b>	<b>S</b>	<b>A</b>	<b>U</b>	<b>X</b>	4 5	1 set (2 pcs.)	1400 mm	47

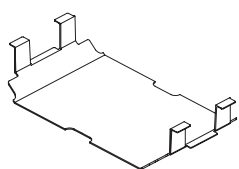
## Workbench metal cover panel

						Without option for central screen panel		AL, CZ, BI		
<b>W</b>	<b>N</b>	<b>S</b>	<b>A</b>	<b>U</b>	<b>X</b>	<b>4</b>	<b>4</b>	1 set (2 pcs.)	600 mm	45
<b>W</b>	<b>N</b>	<b>S</b>	<b>A</b>	<b>U</b>	<b>X</b>	<b>5</b>	<b>2</b>	1 set (2 pcs.)	800 mm	56
						With option for central screen panel				
<b>W</b>	<b>N</b>	<b>S</b>	<b>A</b>	<b>U</b>	<b>X</b>	<b>5</b>	<b>5</b>	1 set (2 pcs.)	600 mm	45
<b>W</b>	<b>N</b>	<b>S</b>	<b>A</b>	<b>U</b>	<b>X</b>	<b>5</b>	<b>3</b>	1 set (2 pcs.)	800 mm	56

## SQart C leg desk frame metal cover panel

						AL, CZ, BI				
<b>W</b>	<b>N</b>	<b>S</b>	<b>A</b>	<b>U</b>	<b>X</b>	<b>6</b>	<b>0</b>	1 set (2 pcs.)		
37										

## Horizontal plastic wire trunking

									
<b>W</b>	<b>N</b>	<b>S</b>	<b>K</b>	<b>K</b>	<b>0</b>	<b>1</b>	set of 2 items	length 200 mm, width 400 mm	10
<b>W</b>	<b>N</b>	<b>S</b>	<b>K</b>	<b>K</b>	<b>0</b>	<b>2</b>	set of 3 items	length 200 mm, width 400 mm	14

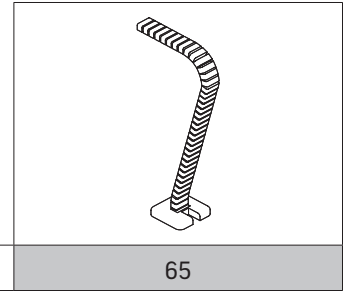
## Horizontal metal wire trunking

<b>W</b>	<b>N</b>	<b>S</b>	<b>K</b>	<b>M</b>	<b>0</b>	<b>1</b>	set of 2 items	length 200 mm, width 400 mm	25
<b>W</b>	<b>N</b>	<b>S</b>	<b>K</b>	<b>M</b>	<b>0</b>	<b>2</b>	set of 3 items	length 200 mm, width 400 mm	37

Colour of wire trunking always black

# Additional elements

## Vertical wire trunking

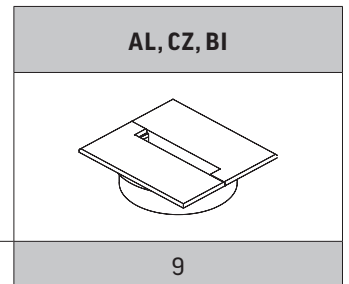


<b>W</b>	<b>N</b>	<b>S</b>	<b>K</b>	<b>P</b>	<b>0</b>	<b>1</b>	
----------	----------	----------	----------	----------	----------	----------	--

65

Colour of wire trunking always black

## Outlet for cables

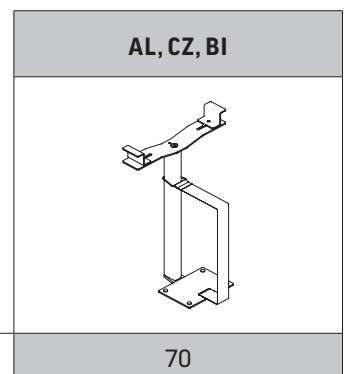


<b>W</b>	<b>N</b>	<b>S</b>	<b>A</b>	<b>U</b>	<b>X</b>	<b>2</b>	<b>0</b>	1 outlet for cables
----------	----------	----------	----------	----------	----------	----------	----------	---------------------

9

## PC holder

Not available for desks on C legs  
With electrical height adjustment



<b>W</b>	<b>N</b>	<b>S</b>	<b>C</b>	<b>P</b>	<b>U</b>	<b>S</b>	1 holder
----------	----------	----------	----------	----------	----------	----------	----------

70



# SQart

## Managerial

## TABLE OF CONTENTS

<b>Technical description</b>	<b>237</b>
Desks	238
Shapes	239
Desk extensions	239
Modesty panels	239
Pedestals	240
Cabinets	240
Auxiliary furniture	241
<b>Price list</b>	<b>243</b>
Desks	244-246
Panels	247
Pedestals	248-250
Cabinets	251-257
Auxiliary furniture	258
Sideboard	259
Wire trunking	260

# Technical

**description**

# Description

## 1. Desks

The SQart system requires ordering in component from:

- a desktop with a fixed frame
- a base (legs)

Please note that the base and desktop depth dimensions should match. The following in an example shows how to order the desk:

											Melamine +1	Veneer +4	Veneer +5					
											N fixed top							
Top											Width	Depth						
W	N	S	R	1	0	N	N	N	Z		1600 mm	800 mm	169	348	422			
W	N	S	R	1	2	N	N	N	Z		1800 mm		183	377	458			
W	N	S	R	1	4	N	N	N	Z		2000 mm		For base type: C	192	400	490		
W	N	S	R	2	3	N	N	N	Z		1800 mm	900 mm	187	401	491			
W	N	S	R	2	4	N	N	N	Z		2000 mm	For base type: D	195	422	541			
W	N	S	R	2	7	N	N	N	Z		1800 mm	1000 mm	185	428	527			
W	N	S	R	2	8	N	N	N	Z		2000 mm	For base type: E	193	450	564			
Base (Legs)																		
											0	For top without outlet for cables			Melamine +1	Veneer +4	Veneer +5	base (desk's depth)
											1	For top with one outlet for cables*						
											2	For top with two outlets for cables*						
W	N	S	N	B	C	4	N	0	S	N	Without height adjustment	C	298	521	607	80 × 80		
W	N	S	N	B	D	4	N	0	S	N	Without height adjustment	D	305	541	633	90 × 90		

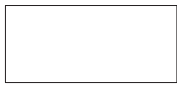
\* Colour of the cable outlet always matching the base colour

When ordering a desk with 1800 × 800 mm desktop and slab end legs, select the WNSR12NNNZ desktop and the WNSN-BC4N0NN base.

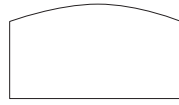
A desk order will therefore comprise two reference numbers:  
**WNSR12NNNZ** (desktop)  
**WNSNBC4N0SN** (base).

## 2. Shapes

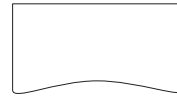
The SQart Managerial system offers desks with various desktop shapes:



Rectangular



Back-rounded top



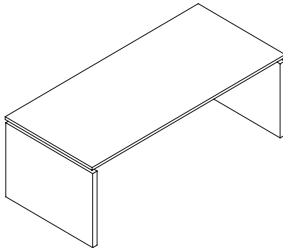
Double wave



Top rounded on both sides

Desktops are made of 25 mm E1 chipboard, veneered on both sides. Desktops have metal threaded inserts, to which the frame is fixed with machine screws. The frame is made from 50 × 25 mm, 2 mm gauge box section and is joined at each end with a C shape 400 × 61 × 19 mm, drilled with multiple fixing holes to which the legs are fitted.

System SQart Managerial offers 2 slab end legs, the slab end leg is made of 12 mm, 16 mm and 18 mm thick fine chipboards connected by gluing.



The legs are available as a melamine-coated model with total thickness of 46 mm and 2 mm ABS edge banding, or as a veneered model with leg thickness 47 mm and 2 mm thick natural edge banding.

A linking unit made of steel profiles is inserted in the leg. The unit is used to link the leg with desk frame. The linking unit is made of three vertical profiles with dimensions 40 × 15 × 2 and length 500 mm linked in the upper part with a horizontal profile sized 50 × 30 × 3 and 360 mm long.

The horizontal profile has holes for mounting the leg to desk frame. The linking unit is powder coated in black.

The base is fixed to desktop frame with four M8 screws with special nuts.

The leg comes without height adjustment and has glides 35 mm in diameter which can be used to level the desk + 10 mm.

Depending on the configuration, the base may also come with cable outlets.

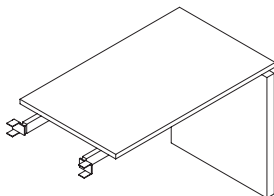
Height of the leg is 708 mm (distance between the leg and the desktop 10 mm).

Depending on the depth of the desk/desk extension legs come in the following dimensions:

- 598 mm - for the 600 mm deep extension
- 798 mm - for the 800 mm deep desk
- 898 mm - for the 900 mm deep desk
- 998 mm - for the 1000 mm deep desk.

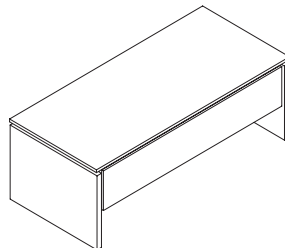
## 3. Desk extensions

The SQart Managerial system offers rectangular desk extensions with one slab end leg.



## 4. Modesty panels

The SQart Managerial system offers modesty panels mounted onto the desk frame, made of 18 mm veneered both sides chipboard. 430 mm from floor level, panel board height 365 mm.



# Description

## 5. Pedestals

The SQart system has pedestals 600 and 800 mm deep in two heights:

- mobile - 575 mm

- fixed - 740 mm, available on a base or feet  
Mobile and fixed pedestals are made of 18 mm veneered chipboard, the tops of the fixed pedestals are 25 mm thick to match desktops. Pedestals are made of veneered chipboard, or a combination of veneer + melamine is used (the top and fronts of pedestals are veneered and the carcass is melamine coated).

The pedestals are available with several drawer configurations:

Mobile pedestals:

- pencil tray + 3 drawers
- pencil tray + 1 drawer + 1 hanging file drawer

Fixed pedestals:

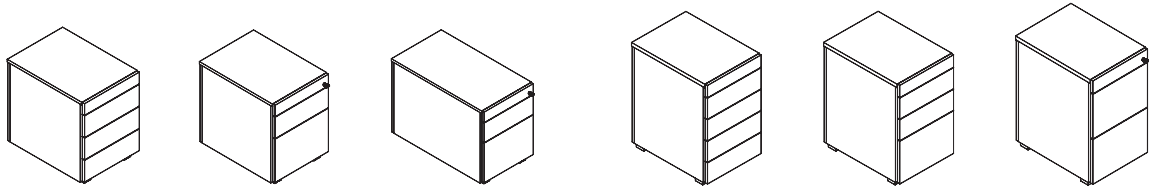
- pencil tray + 4 drawers
- pencil tray + 2 drawers + 1 hanging file drawer
- pencil tray + 2 hanging file drawers

As standard, all file drawers are fitted with 80% extendable runners, or 100% extendable as an option.

The top drawers are always 100% extendable. Fully extendable pedestals are equipped with a counter-balance.

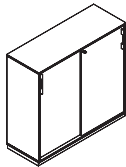
All pedestals are equipped with a soft-close metal drawer and a central lock with the stop control plus feature (making it possible to pull out only one drawer at a time and to independently pull out the pencil tray). They also have an anti tilt locking system to prevent all drawers from being pulled out at the same time. The key locks have two folding keys, replaceable lock cylinders and a master key system.

The 15 mm gap between the drawer front and the body serves as a handle.

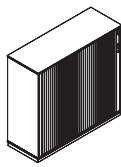


## 6. Cabinets

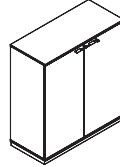
The cabinets (and wardrobes) offered by the SQart Managerial system are available only with a metal plinth base. All cabinets are 445 mm deep. There are seven cabinet types:



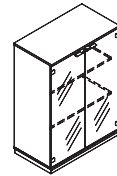
Sliding door



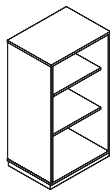
Tambour door



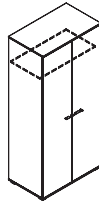
Hinged door



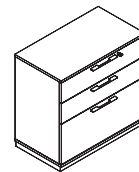
Glass hinged door



Open cabinets



Wardrobes



Drawer cabinets

Cabinets are made of 18 mm veneered chipboard (class E1). They are also available in a combination of veneer + melamine (the panel and fronts, if any, of cabinets/open-shelf cabinets are veneered and the carcass is melamine coated). Cabinets are equipped with locks and two folding keys, replaceable lock cylinders and a master key system are available.

Cabinets with sliding doors are equipped with aluminium slides. The sliding system allows for the doors to be levelled. The hinged door cabinets have quick-assembly hinges with the easy adjustment feature and are equipped with a soft-close system. Cabinets up to the height of 30H have

a single-point lock, cabinets between 4 and 6 OH have an espagnolette multi lock.

Glass hinged door cabinets do not have locks. The glass door is made of 6 mm hardened satin glass. The bottom and hanging file drawers are made of metal and can be fully extended on ball-bearing slides. Tambour door cabinets are opened vertically and equipped with white or aluminium tambours.

The tambour slat width is 30 mm.

The SQart system offers four types of cabinet shelves:

- shelves made of 18 mm chipboard, with a load bearing capacity of 75 kg per 1 m<sup>2</sup>

- shelves made of 25 mm chipboard, with a load bearing capacity of 125 kg per 1 m<sup>2</sup>
- shelves made of 18 mm chipboard, reinforced with a steel profile, colour RAL 9006, load bearing capacity of 75 kg per 1 m<sup>2</sup>. 1000 mm wide shelves are available only as a standard cabinet accessory
- for 80 and 1000 mm wide cabinets - 25 mm thick metal shelves made of 0.8 mm sheet metal, colour RAL 7037 have load bearing capacity is 125 kg per 1 m<sup>2</sup>

## 7. Auxiliary furniture

**Caddy** – multi-purpose mobile cabinet available in two versions:

- Three "push to open" drop down fronts have independent single-point locks. The top door has 2 brackets allowing the open door to be used as a work surface.
- Tambour door and a shelf – the tambour door covers two storage areas with shelves and the third is open

The tops and shelves are made of 25 mm E1 chipboard, with melamine or veneered on both sides.

The carcass is 18 mm thick. The caddy is fitted with locks for which there are two folding keys, replaceable lock cylinders and a master key system.

**Mobile tables** – the SQart system offers mobile tables with the following tops:

- 600 × 600 mm and 800 × 800 mm square tops
- 600 mm Ø and 800 mm Ø round tops.

Mobile table tops are made of 25 mm E1 chipboard with melamine or veneered on both sides.

Tables are equipped with 4 lockable castors. Table heights: fixed – 740 mm, with pneumatic height adjustment with a range of 720-1120 mm.

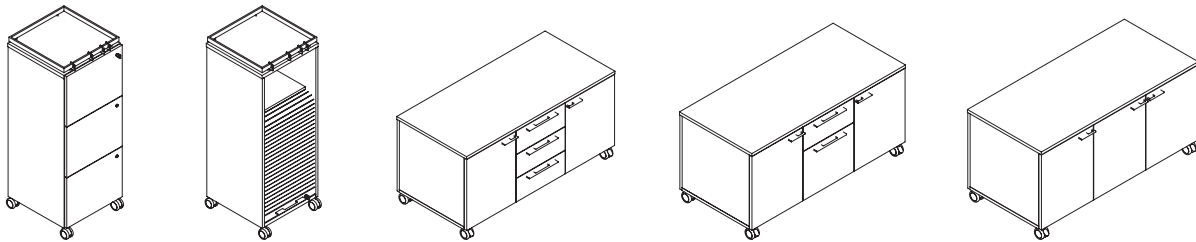
**Sideboards** – SQart system offers mobile sideboards made of 18 mm thick chipboard melaminated or veneered on both sides. The sideboards come with five 65 mm diameter castors, two front castors with brakes.

SQart mobile sideboard is available in three models:

- 2 hinged doors + 2 drawers
- 2 hinged doors + 3 drawers
- 3 hinged doors

The SQ mobile sideboard model with drawers has metal drawers with soft-close mechanism and stop control plus function (only one drawer can be pulled out at a time and pulling out of all drawers can be locked after the piece is tilted). All drawers can be pulled out 80%. The sideboard with drawers has a built-in pencil drawer available after opening of top drawer, as a standard feature.

The sideboard comes with a lock with two folding keys, a replaceable insert and a master key system.







# Price list

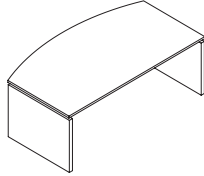




# Desks

Rectangular desks with slab end legs, height 740 mm

										<b>L</b> Outlet for cables - left <b>R</b> Outlet for cables - right <b>M</b> Outlet for cables - middle <b>N</b> Without outlet for cables			<b>Melamine +1</b> <b>Veneer +4</b> <b>Veneer +5</b>		
										<b>N</b> fixed top					
<b>Top</b>										<b>Width</b>	<b>Depth</b>				
<b>W</b>	<b>N</b>	<b>S</b>	<b>R</b>	<b>1</b>	<b>0</b>	<b>N</b>	<b>N</b>	<b>N</b>	<b>Z</b>	1600 mm	800 mm	181	348	422	
<b>W</b>	<b>N</b>	<b>S</b>	<b>R</b>	<b>1</b>	<b>2</b>	<b>N</b>	<b>N</b>	<b>N</b>	<b>Z</b>	1800 mm		197	377	458	
<b>W</b>	<b>N</b>	<b>S</b>	<b>R</b>	<b>1</b>	<b>4</b>	<b>N</b>	<b>N</b>	<b>N</b>	<b>Z</b>	2000 mm		For base type: C	206	400	490
<b>W</b>	<b>N</b>	<b>S</b>	<b>R</b>	<b>2</b>	<b>3</b>	<b>N</b>	<b>N</b>	<b>N</b>	<b>Z</b>	1800 mm	900 mm	201	401	491	
<b>W</b>	<b>N</b>	<b>S</b>	<b>R</b>	<b>2</b>	<b>4</b>	<b>N</b>	<b>N</b>	<b>N</b>	<b>Z</b>	2000 mm	For base type: D	210	422	541	
<b>W</b>	<b>N</b>	<b>S</b>	<b>R</b>	<b>2</b>	<b>7</b>	<b>N</b>	<b>N</b>	<b>N</b>	<b>Z</b>	1800 mm	1000 mm	206	428	527	
<b>W</b>	<b>N</b>	<b>S</b>	<b>R</b>	<b>2</b>	<b>8</b>	<b>N</b>	<b>N</b>	<b>N</b>	<b>Z</b>	2000 mm	For base type: E	216	450	602	

										<b>0</b> For top without outlet for cables <b>1</b> For top with one outlet for cables* <b>2</b> For top with two outlets for cables*			<b>Melamine +1</b> <b>Veneer +4</b> <b>Veneer +5</b>		<b>base (desk's depth)</b>	
<b>W</b>	<b>N</b>	<b>S</b>	<b>N</b>	<b>B</b>	<b>C</b>	<b>4</b>	<b>N</b>	<b>0</b>	<b>S</b>	<b>N</b>	Without height adjustment	C	298	521	607	80 × 80
<b>W</b>	<b>N</b>	<b>S</b>	<b>N</b>	<b>B</b>	<b>D</b>	<b>4</b>	<b>N</b>	<b>0</b>	<b>S</b>	<b>N</b>	Without height adjustment	D	305	541	633	90 × 90
<b>W</b>	<b>N</b>	<b>S</b>	<b>N</b>	<b>B</b>	<b>E</b>	<b>4</b>	<b>N</b>	<b>0</b>	<b>S</b>	<b>N</b>	Without height adjustment	E	312	581	690	100 × 100

Rectangular desks with slab end legs – other desks shapes, height 740 mm

										Outlet for cables												
										L	R	M	N									
										Outlet for cables – left			Outlet for cables – right			Outlet for cables – middle			Without outlet for cables			
													Melamine +1	Veneer +4	Veneer +5							
													N fixed top									
																						
													back-rounded top									
Top										Width			Depth									
W	N	S	U	1	2	N	N	N	Z	1800mm	800/1000mm			229	457	575						
W	N	S	U	1	4	N	N	N	Z	2000mm	 For base type: C			290	485	613						
													double wave desks									
W	N	S	D	2	3	N	N	N	Z	1800mm	900/900mm			214	408	517						
W	N	S	D	2	4	N	N	N	Z	2000mm	 For base type: D			222	432	550						
													top rounded on both sides									
W	N	S	B	2	3	N	N	N	Z	1800mm	900/900mm			236	444	560						
W	N	S	B	2	4	N	N	N	Z	2000mm	 For base type: D			241	467	593						
W	N	S	B	2	7	N	N	N	Z	1800mm	1000/1000mm			287	477	607						
W	N	S	B	2	8	N	N	N	Z	2000mm	 For base type: E			291	501	641						

										Outlet for cables												
										0	1	2	N									
										For top without outlet for cables			For top with one outlet for cables*			For top with two outlets for cables*						
													Melamine +1	Veneer +4	Veneer +5	base (desk's depth)						
W	N	S	N	B	C	4	N	0	S	N	Without height adjustment			C	298	521	607	80×80				
W	N	S	N	B	D	4	N	0	S	N	Without height adjustment			D	305	541	633	90×90				
W	N	S	N	B	E	4	N	0	S	N	Without height adjustment			E	312	581	690	100×100				

\*Colour of the cable outlet always matching the base colour

# Desks

Rectangular extensions desk, height 740 mm

										Melamine + 1	Veneer + 4	Veneer + 5		
										fixed top				
Top										Width	Depth			
W	N	S	A	0	1	N	N	N	Z	800mm	600mm	123	225	256
W	N	S	A	0	3	N	N	N	Z	1000mm		139	249	285

Base (Legs)										Melamine + 1	Veneer + 4	Veneer + 5		
W	N	S	N	A	A	4	N	0	S	N	Without height adjustment	149	245	283

Modesty panels for desks with slab end legs

								Melamine + 1	Veneer + 4	Veneer + 5	
<b>W</b>	<b>N</b>	<b>S</b>	<b>P</b>	<b>D</b>	<b>T</b>	<b>1 6</b>	<b>N S N</b>	1600 mm	68	205	230
<b>W</b>	<b>N</b>	<b>S</b>	<b>P</b>	<b>D</b>	<b>T</b>	<b>1 8</b>	<b>N S N</b>	1800 mm	70	213	242
<b>W</b>	<b>N</b>	<b>S</b>	<b>P</b>	<b>D</b>	<b>T</b>	<b>2 0</b>	<b>N S N</b>	2000 mm	72	226	259

# Pedestals

Mobile pedestals, height 575 mm, width 432 mm

										<b>+1/+4*</b>		<b>+4</b>				
										<b>M</b>	<b>S</b>	<b>M</b>	<b>S</b>			
										80 %	80 %/100 %	80 %	80 %/ 100 %			
										pencil drawer + 3 drawers						
<b>W</b>	<b>N</b>	<b>S</b>	<b>C</b>	<b>M</b>	<b>3</b>	<b>1</b>	<b>6</b>	<b>M</b>	<b>N</b>	<b>Z</b>	<b>Depth</b>					
										600mm	618	-	986	-		
										pencil drawer + 1 drawer + 1 drawer with file frame						
<b>W</b>	<b>N</b>	<b>S</b>	<b>C</b>	<b>M</b>	<b>2</b>	<b>1</b>	<b>6</b>	<b>M</b>	<b>N</b>	<b>Z</b>	<b>Depth</b>	600mm	547	630	915	998
<b>W</b>	<b>N</b>	<b>S</b>	<b>C</b>	<b>M</b>	<b>2</b>	<b>1</b>	<b>8</b>	<b>M</b>	<b>N</b>	<b>Z</b>	<b>Depth</b>	800mm	594	687	1007	1091
										*Top and front - veneer, carcass - melamine						
										<b>+1/+5*</b>		<b>+5</b>				
										<b>M</b>	<b>S</b>	<b>M</b>	<b>S</b>			
										80 %	80 %/ 100 %	80 %	80 %/ 100 %			
										pencil drawer + 3 drawers						
<b>W</b>	<b>N</b>	<b>S</b>	<b>C</b>	<b>M</b>	<b>3</b>	<b>1</b>	<b>6</b>	<b>M</b>	<b>N</b>	<b>Z</b>	<b>Depth</b>	600mm	654	-	1059	-
										pencil drawer + 1 drawer + 1 drawer with file frame						
<b>W</b>	<b>N</b>	<b>S</b>	<b>C</b>	<b>M</b>	<b>2</b>	<b>1</b>	<b>6</b>	<b>M</b>	<b>N</b>	<b>Z</b>	<b>Depth</b>	600mm	573	665	987	1070
<b>W</b>	<b>N</b>	<b>S</b>	<b>C</b>	<b>M</b>	<b>2</b>	<b>1</b>	<b>8</b>	<b>M</b>	<b>N</b>	<b>Z</b>	<b>Depth</b>	800mm	624	717	1095	1178
										*Top and front - veneer, carcass - melamine						

Freestanding pedestals on feet, height 740 mm, width 432 mm

										<b>+1/+4*</b>		<b>+4</b>			
										<b>M</b>	<b>S</b>	<b>M</b>	<b>S</b>		
										80 %	80 %/ 100 %	80 %	80 %/ 100 %		
										pencil drawer + 4 drawers					
<b>W</b>	<b>N</b>	<b>S</b>	<b>C</b>	<b>F</b>	<b>4</b>	<b>1</b>	<b>6</b>	<b>M</b>	<b>N</b>	<b>Z</b>	<b>Depth</b>				
											600 mm	813	-	1119	-
										pencil drawer + 2 drawers + 1 drawer with file frame					
<b>W</b>	<b>N</b>	<b>S</b>	<b>C</b>	<b>F</b>	<b>3</b>	<b>1</b>	<b>6</b>	<b>M</b>	<b>N</b>	<b>Z</b>	600 mm	720	760	1046	1123
<b>W</b>	<b>N</b>	<b>S</b>	<b>C</b>	<b>F</b>	<b>3</b>	<b>1</b>	<b>8</b>	<b>M</b>	<b>N</b>	<b>Z</b>	800 mm	768	806	1140	1217
										pencil drawer + 2 drawers with file frame					
<b>W</b>	<b>N</b>	<b>S</b>	<b>C</b>	<b>F</b>	<b>2</b>	<b>1</b>	<b>6</b>	<b>M</b>	<b>N</b>	<b>Z</b>	600 mm	643	689	974	1065
<b>W</b>	<b>N</b>	<b>S</b>	<b>C</b>	<b>F</b>	<b>2</b>	<b>1</b>	<b>8</b>	<b>M</b>	<b>N</b>	<b>Z</b>	800 mm	691	749	1066	1159

\*Top and front - veneer, carcass - melamine

Freestanding pedestals with metal base, height 740 mm, width 432 mm

										<b>+1/+4*</b>		<b>+4</b>			
										<b>M</b>	<b>S</b>	<b>M</b>	<b>S</b>		
										80 %	80 %/ 100 %	80 %	80 %/ 100 %		
										<b>metal base alu, black or white AL, CZ, BI</b>					
										pencil drawer + 4 drawers					
<b>W</b>	<b>N</b>	<b>S</b>	<b>C</b>	<b>C</b>	<b>4</b>	<b>1</b>	<b>6</b>	<b>M</b>	<b>N</b>	<b>Z</b>	<b>Depth</b>				
											600 mm	840	-	1146	-
										pencil drawer + 2 drawers + 1 drawer with file frame					
<b>W</b>	<b>N</b>	<b>S</b>	<b>C</b>	<b>C</b>	<b>3</b>	<b>1</b>	<b>6</b>	<b>M</b>	<b>N</b>	<b>Z</b>	600 mm	748	788	1074	1151
<b>W</b>	<b>N</b>	<b>S</b>	<b>C</b>	<b>C</b>	<b>3</b>	<b>1</b>	<b>8</b>	<b>M</b>	<b>N</b>	<b>Z</b>	800 mm	799	837	1171	1248
										pencil drawer + 2 drawers With file frame					
<b>W</b>	<b>N</b>	<b>S</b>	<b>C</b>	<b>C</b>	<b>2</b>	<b>1</b>	<b>6</b>	<b>M</b>	<b>N</b>	<b>Z</b>	600 mm	671	717	1002	1093
<b>W</b>	<b>N</b>	<b>S</b>	<b>C</b>	<b>C</b>	<b>2</b>	<b>1</b>	<b>8</b>	<b>M</b>	<b>N</b>	<b>Z</b>	800 mm	722	780	1097	1190

\*Top and front - veneer, carcass - melamine

# Pedestals

## Freestanding pedestals on feet, height 740 mm, width 432 mm

										<b>+1/+5*</b>		<b>+5</b>			
										<b>M</b>	<b>S</b>	<b>M</b>	<b>S</b>		
										80 %	80 %/ 100 %	80 %	80 %/ 100 %		
										<b>Depth</b>					
<b>W</b>	<b>N</b>	<b>S</b>	<b>C</b>	<b>F</b>	<b>4</b>	<b>1</b>	<b>6</b>	<b>M</b>	<b>N</b>	<b>Z</b>	600mm	845	-	1208	-
										pencil drawer + 4 drawers					
										pencil drawer + 2 drawers + 1 drawer with file frame					
<b>W</b>	<b>N</b>	<b>S</b>	<b>C</b>	<b>F</b>	<b>3</b>	<b>1</b>	<b>6</b>	<b>M</b>	<b>N</b>	<b>Z</b>	600mm	752	790	1135	1211
<b>W</b>	<b>N</b>	<b>S</b>	<b>C</b>	<b>F</b>	<b>3</b>	<b>1</b>	<b>8</b>	<b>M</b>	<b>N</b>	<b>Z</b>	800mm	819	838	1249	1326
										pencil drawer + 2 drawers With file frame					
<b>W</b>	<b>N</b>	<b>S</b>	<b>C</b>	<b>F</b>	<b>2</b>	<b>1</b>	<b>6</b>	<b>M</b>	<b>N</b>	<b>Z</b>	600mm	674	731	1063	1153
<b>W</b>	<b>N</b>	<b>S</b>	<b>C</b>	<b>F</b>	<b>2</b>	<b>1</b>	<b>8</b>	<b>M</b>	<b>N</b>	<b>Z</b>	800mm	726	782	1175	1267

\*Top and front - veneer, carcass - melamine

## Freestanding pedestals with metal base, height 740 mm, width 432 mm


										<b>+1/+5*</b>		<b>+5</b>			
										<b>M</b>	<b>S</b>	<b>M</b>	<b>S</b>		
										80 %	80 %/ 100 %	80 %	80 %/ 100 %		
										<b>metal base AL, CZ, BI</b>					
										<b>Depth</b>					
<b>W</b>	<b>N</b>	<b>S</b>	<b>C</b>	<b>C</b>	<b>4</b>	<b>1</b>	<b>6</b>	<b>M</b>	<b>N</b>	<b>Z</b>	600mm	872	-	1236	-
										pencil drawer + 4 drawers					
										pencil drawer + 2 drawers + 1 drawer with file frame					
<b>W</b>	<b>N</b>	<b>S</b>	<b>C</b>	<b>C</b>	<b>3</b>	<b>1</b>	<b>6</b>	<b>M</b>	<b>N</b>	<b>Z</b>	600mm	780	818	1163	1239
<b>W</b>	<b>N</b>	<b>S</b>	<b>C</b>	<b>C</b>	<b>3</b>	<b>1</b>	<b>8</b>	<b>M</b>	<b>N</b>	<b>Z</b>	800mm	850	869	1280	1357
										pencil drawer + 2 drawers With file frame					
<b>W</b>	<b>N</b>	<b>S</b>	<b>C</b>	<b>C</b>	<b>2</b>	<b>1</b>	<b>6</b>	<b>M</b>	<b>N</b>	<b>Z</b>	600mm	701	759	1091	1180
<b>W</b>	<b>N</b>	<b>S</b>	<b>C</b>	<b>C</b>	<b>2</b>	<b>1</b>	<b>8</b>	<b>M</b>	<b>N</b>	<b>Z</b>	800mm	757	813	1206	1298

\*Top and front - veneer, carcass - melamine




Sliding door cabinets, width 1200 mm, depth 445 mm

													+ 1 / + 4*	+ 4	
													Cabinet with metal base AL, CZ, BI		
W	N	S	S	C	S	1	2	1	N	P	A	Z	1,50H (740mm)	664	1429
W	N	S	S	C	S	1	2	2	N	P	A	Z	20H (765mm)	677	1458
W	N	S	S	C	S	1	2	3	N	P	A	Z	30H (1117mm)	791	1816
W	N	S	S	C	S	1	2	4	N	P	A	Z	40H (1469mm)	893	2188

													+ 1 / + 5*	+ 5	
													Cabinet with metal base AL, CZ, BI		
W	N	S	S	C	S	1	2	1	N	P	A	Z	1,50H (740mm)	748	1599
W	N	S	S	C	S	1	2	2	N	P	A	Z	20H (765mm)	793	1635
W	N	S	S	C	S	1	2	3	N	P	A	Z	30H (1117mm)	883	2064
W	N	S	S	C	S	1	2	4	N	P	A	Z	40H (1469mm)	1023	2507

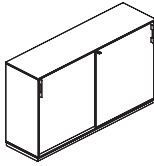

  

<b>P</b>	18 mm chipboard shelf (standard)
<b>G</b>	25 mm chipboard shelf, surcharge 6 EUR/2 shelves (1 level)

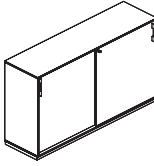
\*Top and front (if applicable) – veneer, carcass – melamine

Sliding door cabinets, width 1600 mm, depth 445 mm

													+ 1 / + 4*	+ 4	
													Cabinet with metal base AL, CZ, BI		
W	N	S	S	C	S	1	6	1	N	P	A	Z	1,50H (740mm)	802	1582
W	N	S	S	C	S	1	6	2	N	P	A	Z	20H (765mm)	819	1622
W	N	S	S	C	S	1	6	3	N	P	A	Z	30H (1117mm)	947	2028
W	N	S	S	C	S	1	6	4	N	P	A	Z	40H (1469mm)	1075	2392

													+ 1 / + 5*	+ 5	
													Cabinet with metal base AL, CZ, BI		
W	N	S	S	C	S	1	6	1	N	P	A	Z	1,50H (740mm)	887	1816
W	N	S	S	C	S	1	6	2	N	P	A	Z	20H (765mm)	907	1864
W	N	S	S	C	S	1	6	3	N	P	A	Z	30H (1117mm)	1061	2371
W	N	S	S	C	S	1	6	4	N	P	A	Z	40H (1469mm)	1213	2825




  

<b>P</b>	18 mm melamine chipboard shelf (standard)
<b>G</b>	25 mm melamine chipboard shelf, surcharge 7 EUR/2 shelves (1 level)

\*Top and front (if applicable) – veneer, carcass – melamine

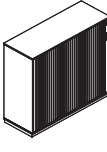
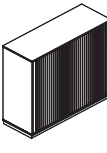
# Cabinets

## Tambour cabinets, width 800 mm depth 445 mm

												Left version		Right version					
												<b>N</b>	<b>P</b>	<b>R</b>	<b>G</b>				
												18 mm melamine chipboard shelf		25 mm melamine chipboard shelf, surcharge 5 EUR/shelf				<b>+ 1/+4*</b>	
																		<b>+ 4</b>	
																		<b>Cabinet with metal base AL, CZ, BI</b>	
<b>W</b>	<b>N</b>	<b>S</b>	<b>S</b>	<b>C</b>	<b>T</b>	<b>0</b>	<b>8</b>	<b>1</b>	<b>N</b>	<b>P</b>	<b>A</b>	<b>Z</b>	1,50H (740mm)	 <p>Left version on the drawing</p>	431	1031			
<b>W</b>	<b>N</b>	<b>S</b>	<b>S</b>	<b>C</b>	<b>T</b>	<b>0</b>	<b>8</b>	<b>2</b>	<b>N</b>	<b>P</b>	<b>A</b>	<b>Z</b>	20H (765mm)		434	1053			
<b>W</b>	<b>N</b>	<b>S</b>	<b>S</b>	<b>C</b>	<b>T</b>	<b>0</b>	<b>8</b>	<b>3</b>	<b>N</b>	<b>P</b>	<b>A</b>	<b>Z</b>	30H (1117mm)		491	1277			
<b>W</b>	<b>N</b>	<b>S</b>	<b>S</b>	<b>C</b>	<b>T</b>	<b>0</b>	<b>8</b>	<b>4</b>	<b>N</b>	<b>P</b>	<b>A</b>	<b>Z</b>	40H (1469mm)		596	1511			
<b>W</b>	<b>N</b>	<b>S</b>	<b>S</b>	<b>C</b>	<b>T</b>	<b>0</b>	<b>8</b>	<b>5</b>	<b>N</b>	<b>P</b>	<b>A</b>	<b>Z</b>	50H (1839mm)		652	1834			
																		<b>+ 1/+5*</b>	
																		<b>+ 5</b>	
																		<b>Cabinet with metal base AL, CZ, BI</b>	
<b>W</b>	<b>N</b>	<b>S</b>	<b>S</b>	<b>C</b>	<b>T</b>	<b>0</b>	<b>8</b>	<b>1</b>	<b>N</b>	<b>P</b>	<b>A</b>	<b>Z</b>	1,50H (740mm)	 <p>Left version on the drawing</p>	449	1146			
<b>W</b>	<b>N</b>	<b>S</b>	<b>S</b>	<b>C</b>	<b>T</b>	<b>0</b>	<b>8</b>	<b>2</b>	<b>N</b>	<b>P</b>	<b>A</b>	<b>Z</b>	20H (765mm)		452	1172			
<b>W</b>	<b>N</b>	<b>S</b>	<b>S</b>	<b>C</b>	<b>T</b>	<b>0</b>	<b>8</b>	<b>3</b>	<b>N</b>	<b>P</b>	<b>A</b>	<b>Z</b>	30H (1117mm)		510	1443			
<b>W</b>	<b>N</b>	<b>S</b>	<b>S</b>	<b>C</b>	<b>T</b>	<b>0</b>	<b>8</b>	<b>4</b>	<b>N</b>	<b>P</b>	<b>A</b>	<b>Z</b>	40H (1469mm)		615	1721			
<b>W</b>	<b>N</b>	<b>S</b>	<b>S</b>	<b>C</b>	<b>T</b>	<b>0</b>	<b>8</b>	<b>5</b>	<b>N</b>	<b>P</b>	<b>A</b>	<b>Z</b>	50H (1839mm)		671	2097			

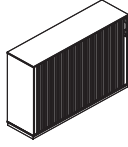
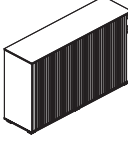
\* Top and front (if applicable) - veneer, carcass - melamine

## Tambour cabinets, width 1200 mm depth 445 mm

														Left version		Right version					
														<b>N</b>	<b>P</b>	<b>R</b>	<b>G</b>				
														18 mm chipboard shelf (standard)		25 mm chipboard shelf, surcharge 6 EUR/2 shelves (1 level)				<b>+ 1/+4*</b>	
																				<b>+ 4</b>	
																				<b>Cabinet with metal base AL, CZ, BI</b>	
<b>W</b>	<b>N</b>	<b>S</b>	<b>S</b>	<b>C</b>	<b>T</b>	<b>1</b>	<b>2</b>	<b>1</b>	<b>N</b>	<b>P</b>	<b>A</b>	<b>Z</b>	1,50H (740mm)	 <p>Left version on the drawing</p>	547	1344					
<b>W</b>	<b>N</b>	<b>S</b>	<b>S</b>	<b>C</b>	<b>T</b>	<b>1</b>	<b>2</b>	<b>2</b>	<b>N</b>	<b>P</b>	<b>A</b>	<b>Z</b>	20H (765mm)		550	1370					
<b>W</b>	<b>N</b>	<b>S</b>	<b>S</b>	<b>C</b>	<b>T</b>	<b>1</b>	<b>2</b>	<b>3</b>	<b>N</b>	<b>P</b>	<b>A</b>	<b>Z</b>	30H (1117mm)		657	1727					
<b>W</b>	<b>N</b>	<b>S</b>	<b>S</b>	<b>C</b>	<b>T</b>	<b>1</b>	<b>2</b>	<b>4</b>	<b>N</b>	<b>P</b>	<b>A</b>	<b>Z</b>	40H (1469mm)		816	2126					
																				<b>+ 1/+5*</b>	
																				<b>+ 5</b>	
																				<b>Cabinet with metal base AL, CZ, BI</b>	
<b>W</b>	<b>N</b>	<b>S</b>	<b>S</b>	<b>C</b>	<b>T</b>	<b>1</b>	<b>2</b>	<b>1</b>	<b>N</b>	<b>P</b>	<b>A</b>	<b>Z</b>	1,50H (740mm)	 <p>Left version on the drawing</p>	594	1507					
<b>W</b>	<b>N</b>	<b>S</b>	<b>S</b>	<b>C</b>	<b>T</b>	<b>1</b>	<b>2</b>	<b>2</b>	<b>N</b>	<b>P</b>	<b>A</b>	<b>Z</b>	20H (765mm)		597	1538					
<b>W</b>	<b>N</b>	<b>S</b>	<b>S</b>	<b>C</b>	<b>T</b>	<b>1</b>	<b>2</b>	<b>3</b>	<b>N</b>	<b>P</b>	<b>A</b>	<b>Z</b>	30H (1117mm)		685	1962					
<b>W</b>	<b>N</b>	<b>S</b>	<b>S</b>	<b>C</b>	<b>T</b>	<b>1</b>	<b>2</b>	<b>4</b>	<b>N</b>	<b>P</b>	<b>A</b>	<b>Z</b>	40H (1469mm)		844	2431					

\* Top and front (if applicable) - veneer, carcass - melamine

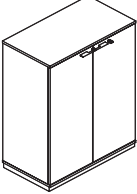
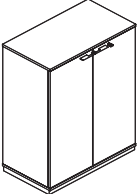
Tambour cabinets, width 1600 mm, depth 445 mm

											+ 1 / + 4*					
											+ 4					
											<b>Cabinet with metal base AL, CZ, BI</b>					
Left version											<b>N</b>	<b>P</b>	18 mm melamine chipboard shelf (standard)	 <p>Left version on the drawing</p>	655	1529
Right version											<b>R</b>	<b>G</b>	25 mm melamine chipboard shelf, surcharge 7 EUR/2 shelves (1 level)		658	1556
<b>W</b>	<b>N</b>	<b>S</b>	<b>S</b>	<b>C</b>	<b>T</b>	<b>1</b>	<b>6</b>	<b>1</b>	<b>N</b>	<b>P</b>	<b>A</b>	<b>Z</b>	1,50H (740 mm)		759	1958
<b>W</b>	<b>N</b>	<b>S</b>	<b>S</b>	<b>C</b>	<b>T</b>	<b>1</b>	<b>6</b>	<b>2</b>	<b>N</b>	<b>P</b>	<b>A</b>	<b>Z</b>	20H (765 mm)		924	2414
<b>W</b>	<b>N</b>	<b>S</b>	<b>S</b>	<b>C</b>	<b>T</b>	<b>1</b>	<b>6</b>	<b>3</b>	<b>N</b>	<b>P</b>	<b>A</b>	<b>Z</b>	30H (1117 mm)			
<b>W</b>	<b>N</b>	<b>S</b>	<b>S</b>	<b>C</b>	<b>T</b>	<b>1</b>	<b>6</b>	<b>4</b>	<b>N</b>	<b>P</b>	<b>A</b>	<b>Z</b>	40H (1469 mm)			
											+ 1 / + 5*					
											+ 5					
											<b>Cabinet with metal base AL, CZ, BI</b>					
Left version											<b>N</b>	<b>P</b>	18 mm melamine chipboard shelf (standard)	 <p>Left version on the drawing</p>	692	1731
Right version											<b>R</b>	<b>G</b>	25 mm melamine chipboard shelf, surcharge 7 EUR/2 shelves (1 level)		659	1767
<b>W</b>	<b>N</b>	<b>S</b>	<b>S</b>	<b>C</b>	<b>T</b>	<b>1</b>	<b>6</b>	<b>1</b>	<b>N</b>	<b>P</b>	<b>A</b>	<b>Z</b>	1,50H (740 mm)		811	2251
<b>W</b>	<b>N</b>	<b>S</b>	<b>S</b>	<b>C</b>	<b>T</b>	<b>1</b>	<b>6</b>	<b>2</b>	<b>N</b>	<b>P</b>	<b>A</b>	<b>Z</b>	20H (765 mm)		962	2787
<b>W</b>	<b>N</b>	<b>S</b>	<b>S</b>	<b>C</b>	<b>T</b>	<b>1</b>	<b>6</b>	<b>3</b>	<b>N</b>	<b>P</b>	<b>A</b>	<b>Z</b>	30H (1117 mm)			
<b>W</b>	<b>N</b>	<b>S</b>	<b>S</b>	<b>C</b>	<b>T</b>	<b>1</b>	<b>6</b>	<b>4</b>	<b>N</b>	<b>P</b>	<b>A</b>	<b>Z</b>	40H (1469 mm)			

\*Top and front (if applicable) - veneer, carcass - melamine

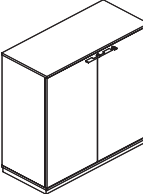
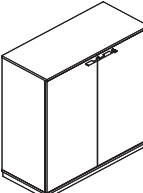
# Cabinets

## Hinged doors cabinets width 800 mm, depth 445 mm

													+ 1 / + 4*		+ 4	
													<b>Cabinet with metal base AL, CZ, BI</b>			
										<b>P</b>	18 mm melamine chipboard shelf					
										<b>G</b>	25 mm melamine chipboard shelf, surcharge 5 EUR/shelf					
										<b>M</b>	Metal shelf, surcharge 8 EUR/shelf					
<b>W</b>	<b>N</b>	<b>S</b>	<b>S</b>	<b>C</b>	<b>W</b>	<b>0</b>	<b>8</b>	<b>1</b>	<b>N</b>	<b>P</b>	<b>A</b>	<b>Z</b>	1,50H (740 mm)		533	1025
<b>W</b>	<b>N</b>	<b>S</b>	<b>S</b>	<b>C</b>	<b>W</b>	<b>0</b>	<b>8</b>	<b>2</b>	<b>N</b>	<b>P</b>	<b>A</b>	<b>Z</b>	20H (765 mm)		546	1042
<b>W</b>	<b>N</b>	<b>S</b>	<b>S</b>	<b>C</b>	<b>W</b>	<b>0</b>	<b>8</b>	<b>3</b>	<b>N</b>	<b>P</b>	<b>A</b>	<b>Z</b>	30H (1117 mm)		619	1266
<b>W</b>	<b>N</b>	<b>S</b>	<b>S</b>	<b>C</b>	<b>W</b>	<b>0</b>	<b>8</b>	<b>4</b>	<b>N</b>	<b>P</b>	<b>A</b>	<b>Z</b>	40H (1469 mm)		747	1524
<b>W</b>	<b>N</b>	<b>S</b>	<b>S</b>	<b>C</b>	<b>W</b>	<b>0</b>	<b>8</b>	<b>5</b>	<b>N</b>	<b>P</b>	<b>A</b>	<b>Z</b>	50H (1839 mm)		822	1751
<b>W</b>	<b>N</b>	<b>S</b>	<b>S</b>	<b>C</b>	<b>W</b>	<b>0</b>	<b>8</b>	<b>6</b>	<b>N</b>	<b>P</b>	<b>A</b>	<b>Z</b>	60H (2191 mm)		893	1986
													+ 1 / + 5*		+ 5	
													<b>Cabinet with metal base AL, CZ, BI</b>			
													1,50H (740 mm)		574	1139
													20H (765 mm)		588	1162
													30H (1117 mm)		683	1434
													40H (1469 mm)		814	1741
													50H (1839 mm)		902	2018
													60H (2191 mm)		985	2300

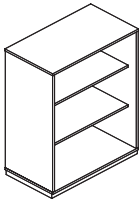
\* Top and front (if applicable) - veneer, carcass - melamine

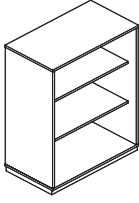
## Hinged doors cabinets, width 1000 mm, depth 445 mm

													+ 1 / + 4*		+ 4	
													<b>Cabinet with metal base AL, CZ, BI</b>			
<b>W</b>	<b>N</b>	<b>S</b>	<b>S</b>	<b>C</b>	<b>W</b>	<b>1</b>	<b>0</b>	<b>1</b>	<b>N</b>	<b>S</b>	<b>A</b>	<b>Z</b>	1,50H (740 mm)		594	1121
<b>W</b>	<b>N</b>	<b>S</b>	<b>S</b>	<b>C</b>	<b>W</b>	<b>1</b>	<b>0</b>	<b>2</b>	<b>N</b>	<b>S</b>	<b>A</b>	<b>Z</b>	20H (765 mm)		596	1137
<b>W</b>	<b>N</b>	<b>S</b>	<b>S</b>	<b>C</b>	<b>W</b>	<b>1</b>	<b>0</b>	<b>3</b>	<b>N</b>	<b>S</b>	<b>A</b>	<b>Z</b>	30H (1117 mm)		711	1398
<b>W</b>	<b>N</b>	<b>S</b>	<b>S</b>	<b>C</b>	<b>W</b>	<b>1</b>	<b>0</b>	<b>4</b>	<b>N</b>	<b>S</b>	<b>A</b>	<b>Z</b>	40H (1469 mm)		848	1696
<b>W</b>	<b>N</b>	<b>S</b>	<b>S</b>	<b>C</b>	<b>W</b>	<b>1</b>	<b>0</b>	<b>5</b>	<b>N</b>	<b>S</b>	<b>A</b>	<b>Z</b>	50H (1839 mm)		941	1955
<b>W</b>	<b>N</b>	<b>S</b>	<b>S</b>	<b>C</b>	<b>W</b>	<b>1</b>	<b>0</b>	<b>6</b>	<b>N</b>	<b>S</b>	<b>A</b>	<b>Z</b>	60H (2191 mm)		1038	2224
													+ 1 / + 5*		+ 5	
													<b>Cabinet with metal base AL, CZ, BI</b>			
													Reinforced shelf		649	1256
													Metal shelf		652	1277
													1,50H (740 mm)		791	1598
													20H (765 mm)		927	1920
													30H (1117 mm)		1015	2189
													40H (1469 mm)		1126	2509

\* Top and front (if applicable) - veneer, carcass - melamine

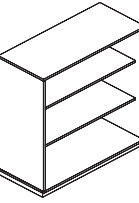
Open cabinets, width 800 mm, depth 445 mm

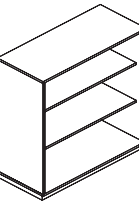
													+ 1 / +4*	+ 4		
													Open cabinet with metal base AL, CZ, BI			
										<b>P</b>			18 mm melamine chipboard shelf			
										<b>G</b>			25 mm melamine chipboard shelf, surcharge 5 EUR/shelf			
										<b>M</b>			Metal shelf, surcharge 8 EUR/shelf			
<b>W</b>	<b>N</b>	<b>S</b>	<b>S</b>	<b>C</b>	<b>N</b>	<b>0</b>	<b>8</b>	<b>1</b>	<b>N</b>	<b>P</b>	<b>N</b>	<b>Z</b>	1,50H (740mm)		298	871
<b>W</b>	<b>N</b>	<b>S</b>	<b>S</b>	<b>C</b>	<b>N</b>	<b>0</b>	<b>8</b>	<b>2</b>	<b>N</b>	<b>P</b>	<b>N</b>	<b>Z</b>	20H (765mm)		300	889
<b>W</b>	<b>N</b>	<b>S</b>	<b>S</b>	<b>C</b>	<b>N</b>	<b>0</b>	<b>8</b>	<b>3</b>	<b>N</b>	<b>P</b>	<b>N</b>	<b>Z</b>	30H (1117mm)		331	1084
<b>W</b>	<b>N</b>	<b>S</b>	<b>S</b>	<b>C</b>	<b>N</b>	<b>0</b>	<b>8</b>	<b>4</b>	<b>N</b>	<b>P</b>	<b>N</b>	<b>Z</b>	40H (1469mm)		368	1193
<b>W</b>	<b>N</b>	<b>S</b>	<b>S</b>	<b>C</b>	<b>N</b>	<b>0</b>	<b>8</b>	<b>5</b>	<b>N</b>	<b>P</b>	<b>N</b>	<b>Z</b>	50H (1839mm)		401	1394
<b>W</b>	<b>N</b>	<b>S</b>	<b>S</b>	<b>C</b>	<b>N</b>	<b>0</b>	<b>8</b>	<b>6</b>	<b>N</b>	<b>P</b>	<b>N</b>	<b>Z</b>	60H (2191mm)		424	1585

													+ 1 / +5*	+ 5		
													Open cabinet with metal base AL, CZ, BI			
<b>W</b>	<b>N</b>	<b>S</b>	<b>S</b>	<b>C</b>	<b>N</b>	<b>0</b>	<b>8</b>	<b>1</b>	<b>N</b>	<b>P</b>	<b>N</b>	<b>Z</b>	1,50H (740mm)		339	952
<b>W</b>	<b>N</b>	<b>S</b>	<b>S</b>	<b>C</b>	<b>N</b>	<b>0</b>	<b>8</b>	<b>2</b>	<b>N</b>	<b>P</b>	<b>N</b>	<b>Z</b>	20H (765mm)		341	968
<b>W</b>	<b>N</b>	<b>S</b>	<b>S</b>	<b>C</b>	<b>N</b>	<b>0</b>	<b>8</b>	<b>3</b>	<b>N</b>	<b>P</b>	<b>N</b>	<b>Z</b>	30H (1117mm)		410	1195
<b>W</b>	<b>N</b>	<b>S</b>	<b>S</b>	<b>C</b>	<b>N</b>	<b>0</b>	<b>8</b>	<b>4</b>	<b>N</b>	<b>P</b>	<b>N</b>	<b>Z</b>	40H (1469mm)		436	1334
<b>W</b>	<b>N</b>	<b>S</b>	<b>S</b>	<b>C</b>	<b>N</b>	<b>0</b>	<b>8</b>	<b>5</b>	<b>N</b>	<b>P</b>	<b>N</b>	<b>Z</b>	50H (1839mm)		484	1566
<b>W</b>	<b>N</b>	<b>S</b>	<b>S</b>	<b>C</b>	<b>N</b>	<b>0</b>	<b>8</b>	<b>6</b>	<b>N</b>	<b>P</b>	<b>N</b>	<b>Z</b>	60H (2191mm)		523	1780

\* Top and front (if applicable) - veneer, carcass - melamine

Open cabinets, width 1000 mm, depth 445 mm


													+ 1 / +4*	+ 4		
													Open cabinet with metal base AL, CZ, BI			
<b>W</b>	<b>N</b>	<b>S</b>	<b>S</b>	<b>C</b>	<b>N</b>	<b>1</b>	<b>0</b>	<b>1</b>	<b>N</b>	<b>S</b>	<b>N</b>	<b>Z</b>	1,50H (740mm)		376	1164
<b>W</b>	<b>N</b>	<b>S</b>	<b>S</b>	<b>C</b>	<b>N</b>	<b>1</b>	<b>0</b>	<b>2</b>	<b>N</b>	<b>S</b>	<b>N</b>	<b>Z</b>	20H (765mm)		379	1189
<b>W</b>	<b>N</b>	<b>S</b>	<b>S</b>	<b>C</b>	<b>N</b>	<b>1</b>	<b>0</b>	<b>3</b>	<b>N</b>	<b>S</b>	<b>N</b>	<b>Z</b>	30H (1117mm)		415	1475
<b>W</b>	<b>N</b>	<b>S</b>	<b>S</b>	<b>C</b>	<b>N</b>	<b>1</b>	<b>0</b>	<b>4</b>	<b>N</b>	<b>S</b>	<b>N</b>	<b>Z</b>	40H (1469mm)		476	1706
<b>W</b>	<b>N</b>	<b>S</b>	<b>S</b>	<b>C</b>	<b>N</b>	<b>1</b>	<b>0</b>	<b>5</b>	<b>N</b>	<b>S</b>	<b>N</b>	<b>Z</b>	50H (1839mm)		537	2087
<b>W</b>	<b>N</b>	<b>S</b>	<b>S</b>	<b>C</b>	<b>N</b>	<b>1</b>	<b>0</b>	<b>6</b>	<b>N</b>	<b>S</b>	<b>N</b>	<b>Z</b>	60H (2191mm)		566	2385


													+ 1 / +5*	+ 5		
													Open cabinet with metal base AL, CZ, BI			
<b>W</b>	<b>N</b>	<b>S</b>	<b>S</b>	<b>C</b>	<b>N</b>	<b>1</b>	<b>0</b>	<b>1</b>	<b>N</b>	<b>S</b>	<b>N</b>	<b>Z</b>	1,50H (740mm)		431	1282
<b>W</b>	<b>N</b>	<b>S</b>	<b>S</b>	<b>C</b>	<b>N</b>	<b>1</b>	<b>0</b>	<b>2</b>	<b>N</b>	<b>S</b>	<b>N</b>	<b>Z</b>	20H (765mm)		434	1307
<b>W</b>	<b>N</b>	<b>S</b>	<b>S</b>	<b>C</b>	<b>N</b>	<b>1</b>	<b>0</b>	<b>3</b>	<b>N</b>	<b>S</b>	<b>N</b>	<b>Z</b>	30H (1117mm)		514	1637
<b>W</b>	<b>N</b>	<b>S</b>	<b>S</b>	<b>C</b>	<b>N</b>	<b>1</b>	<b>0</b>	<b>4</b>	<b>N</b>	<b>S</b>	<b>N</b>	<b>Z</b>	40H (1469mm)		565	1917
<b>W</b>	<b>N</b>	<b>S</b>	<b>S</b>	<b>C</b>	<b>N</b>	<b>1</b>	<b>0</b>	<b>5</b>	<b>N</b>	<b>S</b>	<b>N</b>	<b>Z</b>	50H (1839mm)		650	2356
<b>W</b>	<b>N</b>	<b>S</b>	<b>S</b>	<b>C</b>	<b>N</b>	<b>1</b>	<b>0</b>	<b>6</b>	<b>N</b>	<b>S</b>	<b>N</b>	<b>Z</b>	60H (2191mm)		699	2689

\* Top and front (if applicable) - veneer, carcass - melamine

# Cabinets

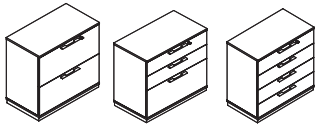
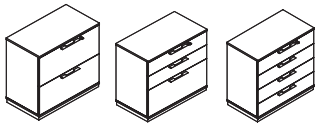
Glass doors cabinets, width 800 mm, depth 445 mm

														<b>+1/+4*</b>		<b>+4</b>	
														<b>Cabinet with metal base AL, CZ, BI</b>			
<b>W</b>	<b>N</b>	<b>S</b>	<b>S</b>	<b>C</b>	<b>G</b>	<b>0</b>	<b>8</b>	<b>2</b>	<b>N</b>	<b>P</b>	<b>A</b>	<b>Z</b>	20H (765mm)		442	1042	
<b>W</b>	<b>N</b>	<b>S</b>	<b>S</b>	<b>C</b>	<b>G</b>	<b>0</b>	<b>8</b>	<b>3</b>	<b>N</b>	<b>P</b>	<b>A</b>	<b>Z</b>	30H (1117mm)		503	1279	
<b>W</b>	<b>N</b>	<b>S</b>	<b>S</b>	<b>C</b>	<b>G</b>	<b>0</b>	<b>8</b>	<b>4</b>	<b>N</b>	<b>P</b>	<b>A</b>	<b>Z</b>	40H (1469mm)		625	1576	

														<b>+1/+5*</b>		<b>+5</b>	
														<b>Cabinet with metal base AL, CZ, BI</b>			
<b>W</b>	<b>N</b>	<b>S</b>	<b>S</b>	<b>C</b>	<b>G</b>	<b>0</b>	<b>8</b>	<b>2</b>	<b>N</b>	<b>P</b>	<b>A</b>	<b>Z</b>	20H (765mm)		462	1164	
<b>W</b>	<b>N</b>	<b>S</b>	<b>S</b>	<b>C</b>	<b>G</b>	<b>0</b>	<b>8</b>	<b>3</b>	<b>N</b>	<b>P</b>	<b>A</b>	<b>Z</b>	30H (1117mm)		523	1449	
<b>W</b>	<b>N</b>	<b>S</b>	<b>S</b>	<b>C</b>	<b>G</b>	<b>0</b>	<b>8</b>	<b>4</b>	<b>N</b>	<b>P</b>	<b>A</b>	<b>Z</b>	40H (1469mm)		670	1795	

\* Top and front (if applicable) - veneer, carcass - melamine

Cabinets with drawers, width 800 mm, depth 445 mm

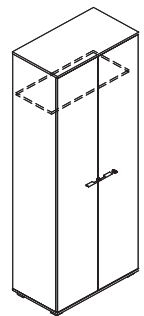
											<b>+1 / +4*</b>			<b>+4</b>					
											<b>metal base AL, CZ, BI</b>								
											<b>D</b>	<b>E</b>	<b>F</b>	<b>D</b>	<b>E</b>	<b>F</b>			
											file frames	file frames + drawers	metal drawers	file frames	file frames + drawers	metal drawers			
<b>W</b>	<b>N</b>	<b>S</b>	<b>S</b>	<b>C</b>	<b>D</b>	<b>0</b>	<b>8</b>	<b>2</b>	<b>N</b>	<b>A</b>	<b>Z</b>		20H (765mm) with metal base	937	1133	1334	1377	1575	1778
<b>W</b>	<b>N</b>	<b>S</b>	<b>S</b>	<b>C</b>	<b>D</b>	<b>0</b>	<b>8</b>	<b>3</b>	<b>N</b>	<b>A</b>	<b>Z</b>		30H (1117mm) with metal base	1197	1393	1788	1707	1903	2302
											<b>+1 / +5*</b>			<b>+5</b>					
											<b>metal base AL, CZ, BI</b>								
											<b>D</b>	<b>E</b>	<b>F</b>	<b>D</b>	<b>E</b>	<b>F</b>			
											file frames	file frames + drawers	metal drawers	file frames	file frames + drawers	metal drawers			
<b>W</b>	<b>N</b>	<b>S</b>	<b>S</b>	<b>C</b>	<b>D</b>	<b>0</b>	<b>8</b>	<b>2</b>	<b>N</b>	<b>A</b>	<b>Z</b>		20H (765mm) with metal base	990	1186	1386	1511	1710	1913
<b>W</b>	<b>N</b>	<b>S</b>	<b>S</b>	<b>C</b>	<b>D</b>	<b>0</b>	<b>8</b>	<b>3</b>	<b>N</b>	<b>A</b>	<b>Z</b>		30H (1117mm) with metal base	1266	1462	1857	1889	2086	2485

- D** Filing frame drawers (20H - 2 drawers, 30H - 3 drawers)
- E** Filing frame drawers + metal drawers (20H - 1 + 2, 30H - 2 + 2)
- F** Metal drawers (20H - 4 drawers, 30H - 6 drawers)

\* Top and front (if applicable) - veneer, carcass - melamine

Wardrobe cabinets, width 800 mm, depth 445 mm

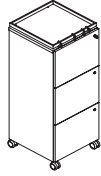
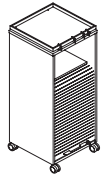
											<b>+1 / +4*</b>		<b>+4</b>		
											<b>metal base AL, CZ, BI</b>				
											Cabinet with metal base				
<b>W</b>	<b>N</b>	<b>S</b>	<b>S</b>	<b>C</b>	<b>U</b>	<b>0</b>	<b>8</b>	<b>5</b>	<b>N</b>	<b>P</b>	<b>A</b>	<b>Z</b>	50H (1839mm)	721	1301
<b>W</b>	<b>N</b>	<b>S</b>	<b>S</b>	<b>C</b>	<b>U</b>	<b>0</b>	<b>8</b>	<b>6</b>	<b>N</b>	<b>P</b>	<b>A</b>	<b>Z</b>	60H (2191mm)	775	1422
											<b>+1 / +5*</b>		<b>+5</b>		
											<b>metal base AL, CZ, BI</b>				
											Cabinet with metal base				
<b>W</b>	<b>N</b>	<b>S</b>	<b>S</b>	<b>C</b>	<b>U</b>	<b>0</b>	<b>8</b>	<b>5</b>	<b>N</b>	<b>P</b>	<b>A</b>	<b>Z</b>	50H (1839mm)	869	1675
<b>W</b>	<b>N</b>	<b>S</b>	<b>S</b>	<b>C</b>	<b>U</b>	<b>0</b>	<b>8</b>	<b>6</b>	<b>N</b>	<b>P</b>	<b>A</b>	<b>Z</b>	60H (2191mm)	940	1843



\* Top and front (if applicable) - veneer, carcass - melamine


# Auxiliary furniture

## Caddy

										Metal frame only black CZ				
										Melamine + 1	Veneer + 4	Veneer + 5		
W	N	S	C	D	0	2	R	N	Z	Closed Caddy – panel door, height 30H (1263 mm), width 480 mm, depth 500 mm		376	1263	1406
W	N	S	C	D	0	3	R	N	Z	Closed Caddy – tambour door, height 30H (1263 mm), width 480 mm, depth 480 mm		323	1216	1367

\*Top and front (if applicable) – veneer, carcass – melamine

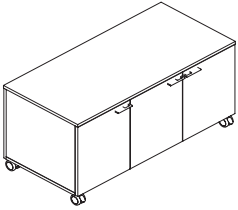
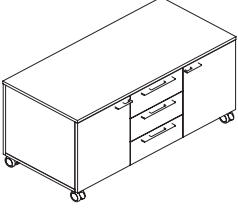
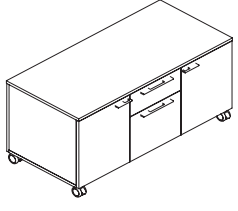
## Mobile tables

										Colour of the base: AL, BI			
										Melamine + 1	Veneer + 4	Veneer + 5	
													
W	N	S	T	M	6	0	N	N	height 740 mm	d = 600 mm	186	289	316
W	N	S	T	M	6	0	H	N	pneumatic height adjustment (720-1110 mm)	d = 600 mm	541	644	671
W	N	S	T	M	8	0	N	N	height 740 mm	d = 800 mm	207	347	413
W	N	S	T	M	8	0	H	N	pneumatic height adjustment (720-1110 mm)	d = 800 mm	561	701	767
W	N	S	T	M	6	6	N	N	height 740 mm	600 × 600 mm	188	293	320
W	N	S	T	M	6	6	H	N	pneumatic height adjustment (720-1110 mm)	600 × 600 mm	542	646	674
W	N	S	T	M	8	8	N	N	height 740 mm	800 × 800 mm	210	352	421
W	N	S	T	M	8	8	H	N	pneumatic height adjustment (720-1110 mm)	800 × 800 mm	563	706	775

**L** 2 mm laser edge for selected melamine decors:  
NB, NJ, NH, BI, MP, MB – surcharge 25 EUR



Mobile sideboards, height 600 mm, width 1200 mm, depth 565 mm

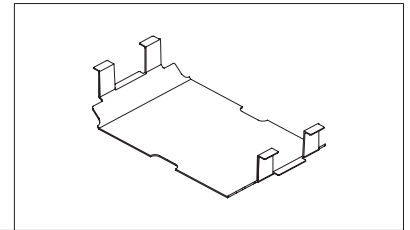
													+4	+1/+4*	+5	+1/+5*		
													<b>Cable outlet AL, CZ, BI</b>					
																		
<b>W</b>	<b>N</b>	<b>S</b>	<b>S</b>	<b>B</b>	<b>M</b>	<b>W</b>	<b>1</b>	<b>2</b>	<b>N</b>	<b>U</b>	<b>L</b>	<b>A</b>	<b>Z</b>	mobile sideboard – 3 × hinged door, height: 600 mm, width: 1200 mm	905	535	1042	584
																		
<b>W</b>	<b>N</b>	<b>S</b>	<b>S</b>	<b>B</b>	<b>M</b>	<b>E</b>	<b>1</b>	<b>2</b>	<b>N</b>	<b>U</b>	<b>M</b>	<b>A</b>	<b>Z</b>	mobile sideboard – 2 × hinged door + 3 × drawers, height: 600 mm, width: 1200 mm. <b>Note: without central slot "M" possibility.</b>	1138	757	1279	813
																		
<b>W</b>	<b>N</b>	<b>S</b>	<b>S</b>	<b>B</b>	<b>M</b>	<b>H</b>	<b>1</b>	<b>2</b>	<b>N</b>	<b>U</b>	<b>M</b>	<b>A</b>	<b>Z</b>	mobile sideboard – 2 × hinged door + 2 × drawers, height: 600 mm, width: 1200 mm. <b>Note: without central slot "M" possibility.</b>	1091	710	1230	764

- L** Outlet for cables – left
- R** Outlet for cables – right
- M** Outlet for cables – middle
- N** Without outlet for cables

\* Top and front (if applicable) – veneer, carcass – melamine

# Wire trunking

## Horizontal plastic wire trunking



<b>W</b>	<b>N</b>	<b>S</b>	<b>K</b>	<b>K</b>	<b>0 1</b>	set of 2 items	length 200 mm, width 400 mm	10
<b>W</b>	<b>N</b>	<b>S</b>	<b>K</b>	<b>K</b>	<b>0 2</b>	set of 3 items	length 200 mm, width 400 mm	14

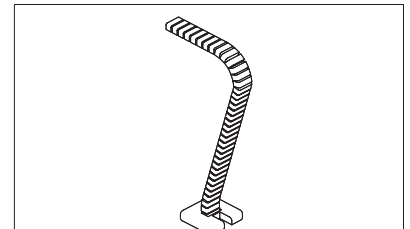
Colour of wire trunking always black

## Horizontal metal wire trunking

<b>W</b>	<b>N</b>	<b>S</b>	<b>K</b>	<b>M</b>	<b>0 1</b>	set of 2 items	length 200 mm, width 400 mm	25
<b>W</b>	<b>N</b>	<b>S</b>	<b>K</b>	<b>M</b>	<b>0 2</b>	set of 3 items	length 200 mm, width 400 mm	37

Colour of wire trunking always black

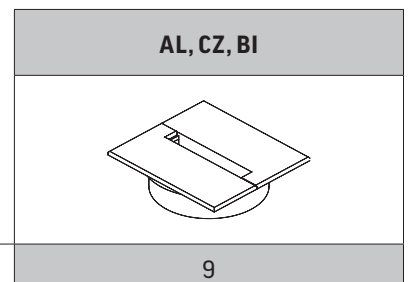
## Vertical wire trunking



<b>W</b>	<b>N</b>	<b>S</b>	<b>K</b>	<b>P</b>	<b>0 1</b>			65
----------	----------	----------	----------	----------	------------	--	--	----

Colour of wire trunking always black

## Outlet for cables



<b>W</b>	<b>N</b>	<b>S</b>	<b>A</b>	<b>U</b>	<b>X</b>	<b>2 0</b>	1 piece	9
----------	----------	----------	----------	----------	----------	------------	---------	---

# CX 3200

## TABLE OF CONTENTS

<b>Technical description</b>	<b>263</b>
Modular conference table system	264
Construction	264
Conference table system description	265
Modesty panels	265
Special accessories	265
Power supply ports	266
CX 3200 – product range overview	267
CX 3200 – outermost legs arrangement	268
CX 3200 – recessed legs arrangement	269
<b>Price list</b>	<b>271</b>
Tables	272-277
Panels	278
Legs, wire trunking, connectors	279
Electrical ports	280
Proposals of arrangements	281-293

# Technical

**description**

# Description

## 1. Modular conference table system

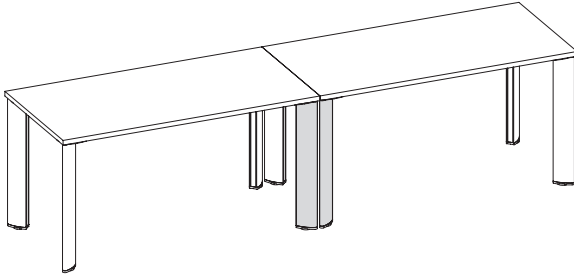
CX 3200 modular conference table system is distinguished by its lack of supporting structure (no frame) and the quick assembly of legs to table top without the need to use any tools. Patent for the method of fixing legs to table top is available. The CX 3200 is a mobile system offering unlimited arrangement options with the use of a minimum number of legs.

There are two arrangement possibilities, depending on the way legs are fixed to the table top:

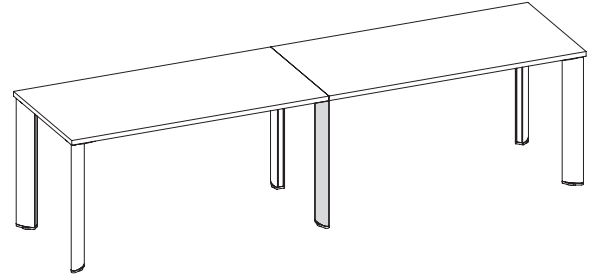
- outermost legs arrangement: legs fixed 5 mm away from the table top edge,
- recessed legs arrangement: legs moved 255 mm away from the table top edge (on the user's side).

These options are not compatible, which means they cannot be combined together within one table arrangement.

More information on page 281-293.



Typical conference table - 8 legs



CX 3200-6 legs  
(in the picture: outermost legs arrangement)



In the picture: outermost legs arrangement



In the picture: recessed legs arrangement

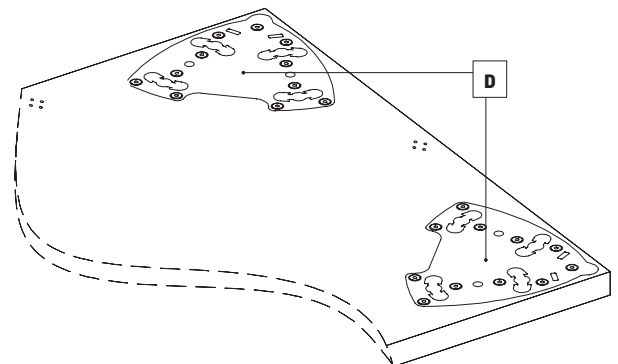
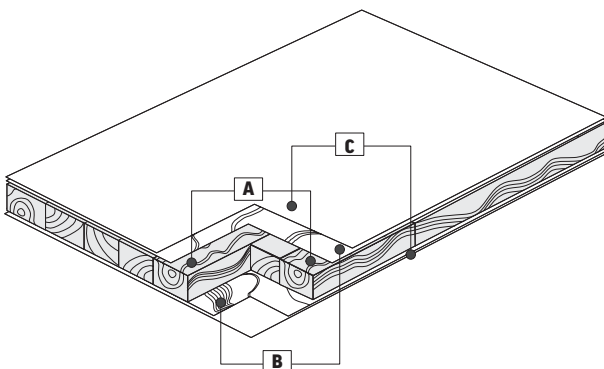
## 2. Construction

The table top is made from five ply blockboard with a total thickness of 32 mm (30 mm + 2 mm laminate/veneer). Top structure consists of a core [A] made from 22 mm poplar wood strips, density 470 kg/m<sup>3</sup>, stuck together and covered with 1 mm veneer sheet [B] and 3 mm MDF sheet [C].

Special 4 mm thick steel plates [D] are inserted in the tops, to which legs are fixed. Depending on the type of finish the top is covered with veneer or laminate. The underside of a top is covered with anti-tension laminate in grey. Laminated table tops have edges covered with

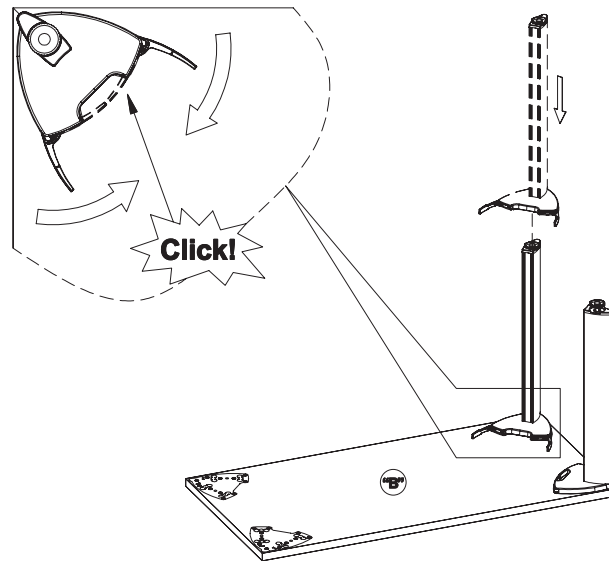
ABS edge banding, thickness 2 mm, while veneered tops have edges veneered with natural edge banding, thickness 2 mm.

Total table height: 740 mm (top - 32 mm, leg - 708 mm).



### 3. Conference table system description

The leg of the CX 3200 table consists of a body made of cast aluminium and a 2 mm thick aluminium profile in matching colours. The leg is available in natural anodised colour (AN) and in matt black anodised colour (CZ); it can also be powder-coated in white (BI). Legs are fitted with levelling glides with an adjustment range of  $\pm 10$  mm. For better protection of wooden floors legs with felt glides are available optionally. The mechanism for fixing the leg to the top is placed inside the leg carcass. The leg is fixed to a table top with plastic levers.

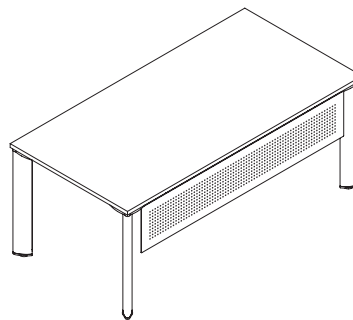
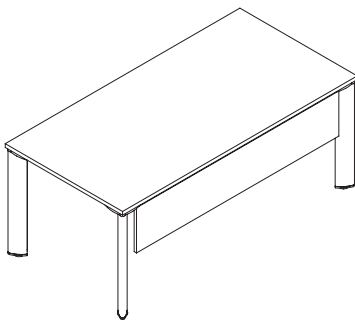


### 4. Modesty panels

The system offers 2 types of modesty panels: slab panels and panels made from perforated sheet metal. Colour patterns of the slab modesty panels are consistent with the colours of table

tops, while the metal panels are offered in black RAL 9005 as a standard. The total height of a panel is 300 mm and the bottom edge is placed 385 mm above the floor.

Modesty panels are fixed to tables with special fixtures for quick assembly and disassembly.



### 5. Special accessories

#### Wire trunking

3 types of wire trunking are dedicated for the CX 3200 system:

- horizontal wire trunking made from plastic, screwed on to the underside of a top, the trunking is black,
- vertical wire trunking made from metal, slides into a special groove in aluminium profile of the leg, the trunking is black,
- horizontal wire trunking consisted of 4 modules.

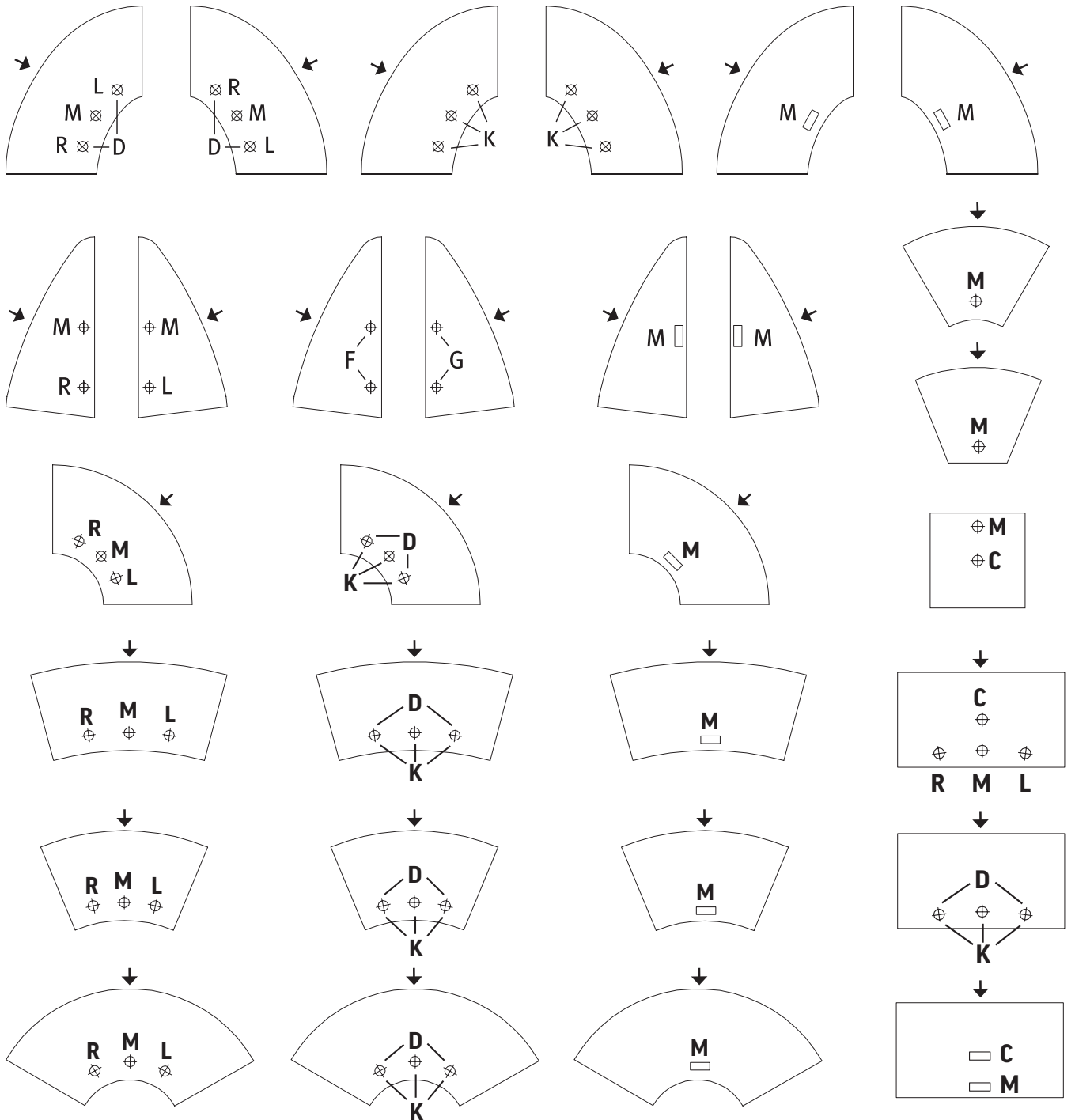
## 6. Power supply ports

2 types of power supply ports and a cable outlet are dedicated to the CX 3200 system:

- Rectangular power supply port NETBOX TURN COMFORT, dimensions 260 × 110 mm, available in the configuration: 2 × power supply sockets + 2 × RJ45 internet sockets.

- round power supply port POINT, external dimensions 90 × 90 mm, diameter Ø 80 mm, available in the configuration: 1 × power supply socket + 1 × RJ45 Internet socket + 1 × USB socket.

Detailed location of power supply ports is presented in the following figure. Please, select an appropriate letter of port location (according to marked user's position) and include it in product's index number.





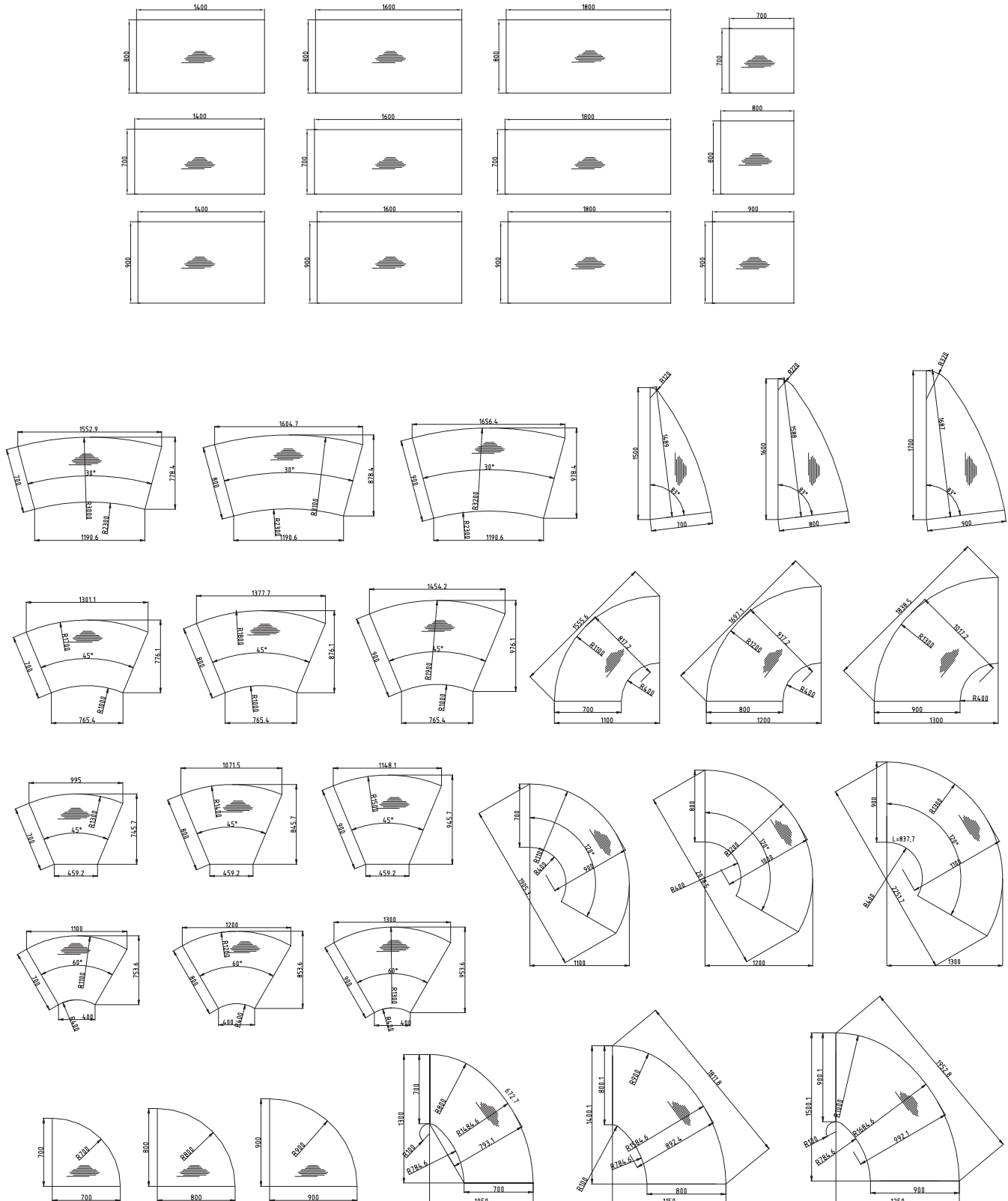
## 7. CX 3200 – Product range

The picture below shows a complete product range offered by the system, with all the possible table top dimensions.

**Please note:**

1. When placing an order or creating an arrangement, you should pay particular attention to the table top wood grains.
2. In the case of (laminated) table tops finished with wood decor, we do not guarantee the consistency and continuity of wood grains on the joint of two table tops. In the case of veneered table tops, if you wish to have the consistency and continuity of wood grains, you should send us your table layout.

sistency and continuity of wood grains on the joint of two table tops. In the case of veneered table tops, if you wish to have the consistency and continuity of wood grains, you should send us your table layout.



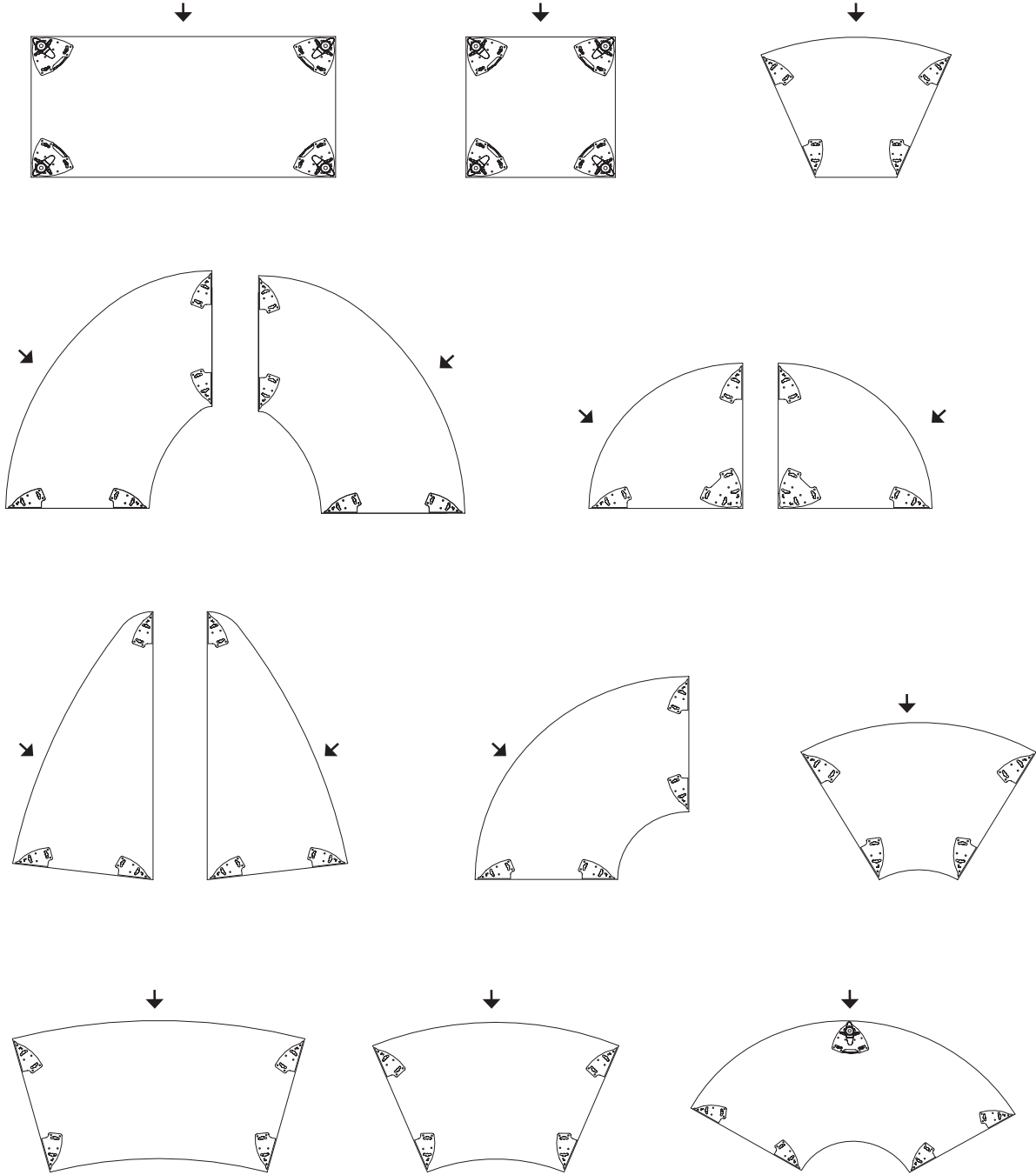
# Description

## 8. CX 3200 – outermost legs arrangement

In the outermost legs arrangement, the steel mounting plates in table tops are placed 5 mm away from the table top edge.

This assembly type is available for all table top depths and models, which offers a wide range of possibilities in creating different arrangements and changing their layouts.

The outermost legs arrangement is presented in the pictures below (the table tops are shown in the top view). The direction of the arrow indicates the table edge at which the user sits.

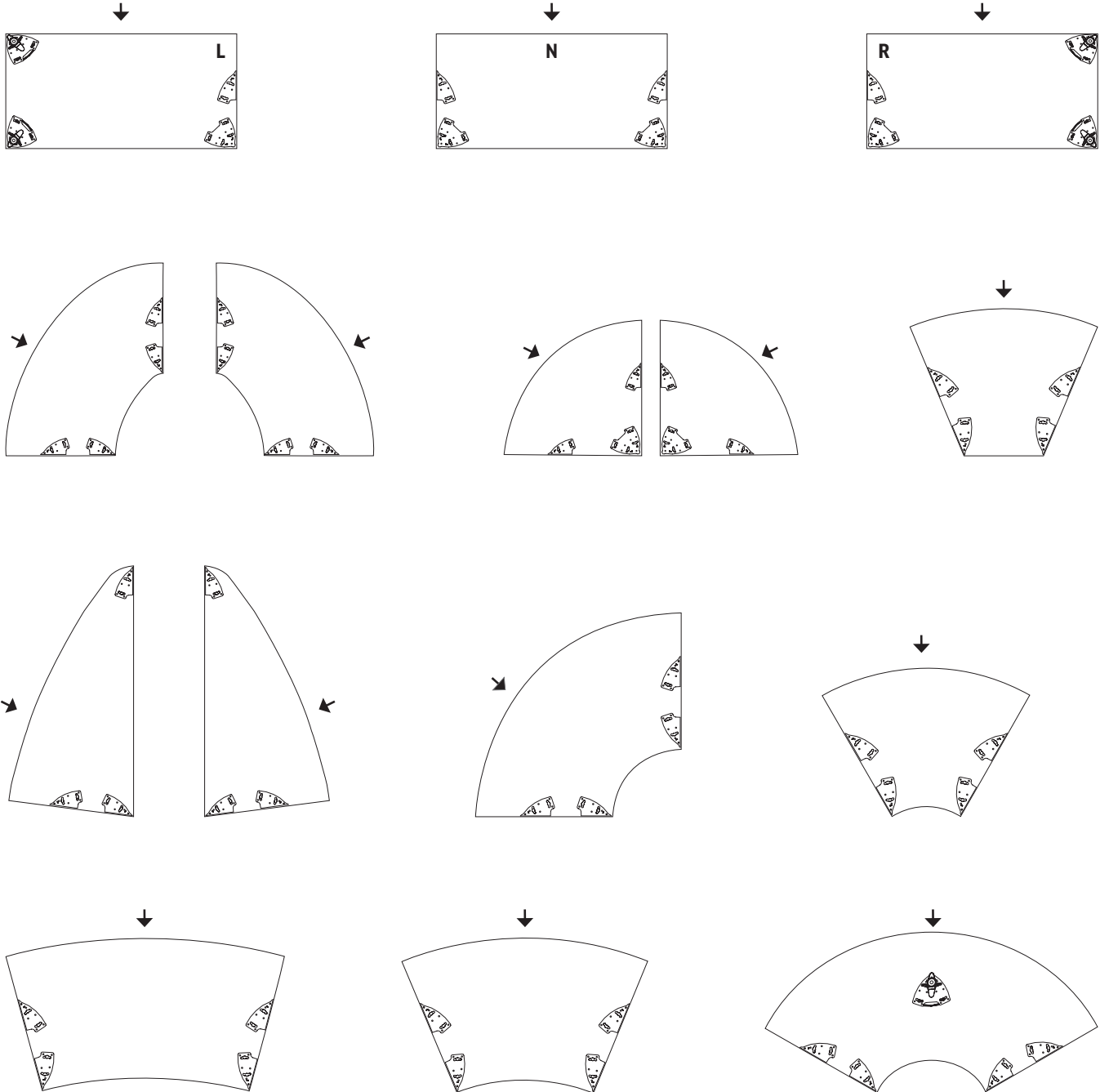


## 9. CX 3200 – receded legs arrangement

The receded legs arrangement option (legs are moved 255 mm away from the table top on the user's side) provides the user with additional space. It is available for all table top models with

a depth of 800 mm and 900 mm, except for the square table top. The receded legs arrangement is presented in the pictures below (the table tops are shown in the

top view). The direction of the arrow indicates the table edge at which the user sits.



When creating arrangements made up of conference tables with receded legs, you should keep in mind the following rules:

1. Rectangular table tops with the receded legs arrangement are not separate elements; they can be used only in arrangements.
2. Open arrangements made up of tables with receded legs (sample U-shaped and V-shaped arrangements are presented on page XX) must

always be finished with a rectangular table top with the outermost legs arrangement. The table tops finishing open arrangements are marked with letters R and L in the pictures.

3. It is not possible to combine the outermost legs arrangement option with the receded legs arrangement option within one table layout because they are not compatible with each other.

4. It is not recommended to create straight line layouts with the receded legs arrangement option.

**Note:** Before placing an order, you should create an arrangement project using design tools in order to visualise the spatial layout of your tables.

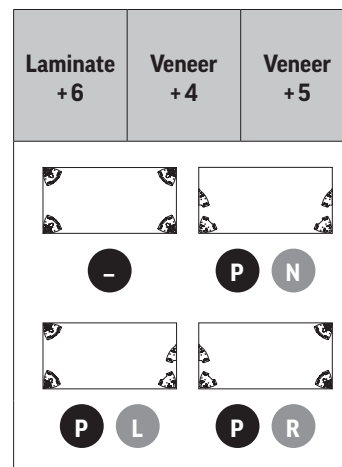


# Price list

## Rectangular table top

CX 3200

- N** Without outlet for cables/electrical ports
  - P** Outlet for cables/round electrical port **POINT**\*
  - E** Outlet for rectangular electrical port **TURN**\*
- 
- N** Without outlet for cables/electrical ports
  - L** Left outlet for cables/round electrical port **POINT**\*
  - R** Right outlet for cables/round electrical port **POINT**\*
  - M** Middle outlet for cables/port **POINT**/port **TURN**\*
  - C** Central outlet for cables/port **POINT**/port **TURN**\*
  - D** Left + right outlet for cables/round electrical port **POINT**\*
  - K** Left + right + middle outlet for cables/round electrical port **POINT**\*



						width		depth		Laminate +6	Veneer +4	Veneer +5			
<b>W</b>	<b>N</b>	<b>C</b>	<b>R</b>	<b>-</b>	<b>1 6</b>	<b>N</b>	<b>N</b>	<b>N</b>	<b>N</b>	1400 mm			504	551	593
<b>W</b>	<b>N</b>	<b>C</b>	<b>R</b>	<b>-</b>	<b>1 7</b>	<b>N</b>	<b>N</b>	<b>N</b>	<b>N</b>	1600 mm	700 mm**		546	593	635
<b>W</b>	<b>N</b>	<b>C</b>	<b>R</b>	<b>-</b>	<b>1 8</b>	<b>N</b>	<b>N</b>	<b>N</b>	<b>N</b>	1800 mm			588	635	677

<b>W</b>	<b>N</b>	<b>C</b>	<b>R</b>	<b>-</b>	<b>0 8</b>	<b>N</b>	<b>N</b>	<b>N</b>	<b>N</b>	1400 mm			509	556	598
<b>W</b>	<b>N</b>	<b>C</b>	<b>R</b>	<b>-</b>	<b>1 0</b>	<b>N</b>	<b>N</b>	<b>N</b>	<b>N</b>	1600 mm	800 mm		551	598	640
<b>W</b>	<b>N</b>	<b>C</b>	<b>R</b>	<b>-</b>	<b>1 2</b>	<b>N</b>	<b>N</b>	<b>N</b>	<b>N</b>	1800 mm			593	640	682

<b>W</b>	<b>N</b>	<b>C</b>	<b>R</b>	<b>-</b>	<b>2 1</b>	<b>N</b>	<b>N</b>	<b>N</b>	<b>N</b>	1400 mm			514	562	604
<b>W</b>	<b>N</b>	<b>C</b>	<b>R</b>	<b>-</b>	<b>2 2</b>	<b>N</b>	<b>N</b>	<b>N</b>	<b>N</b>	1600 mm	900 mm		556	604	646
<b>W</b>	<b>N</b>	<b>C</b>	<b>R</b>	<b>-</b>	<b>2 3</b>	<b>N</b>	<b>N</b>	<b>N</b>	<b>N</b>	1800 mm			598	646	688

- N** Outermost legs arrangement/Legs arrangement moved to the left and right (central table top)\*\*\*
- L** Legs arrangement moved to the left (table top finishing the table layout on the right)\*\*\*
- R** Legs arrangement moved to the right (table top finishing the table layout on the left)\*\*\*

- Outermost legs arrangement
- P** Recessed legs arrangement

\* Cable outlets, electrical ports and the prices available on page 280.

\*\* Available only with outermost legs arrangement.

\*\*\* Values available when choosing the P option - recessed legs arrangement

Square table top

										Laminate +6	Veneer +4	Veneer +5		
<b>N</b>	Without outlet for cables/electrical ports													
<b>P</b>	Outlet for cables/round electrical port POINT*													
<b>N</b>	Without outlet for cables/electrical ports													
<b>M</b>	Middle outlet for cables/electrical port POINT*													
<b>C</b>	Central outlet for cables/electrical port POINT*													
<b>dimensions</b>														
<b>W</b>	<b>N</b>	<b>C</b>	<b>R</b>		<b>3</b>	<b>8</b>	<b>N</b>	<b>N</b>	<b>N</b>	<b>N</b>	700 × 700 mm	346	394	436
<b>W</b>	<b>N</b>	<b>C</b>	<b>R</b>		<b>0</b>	<b>2</b>	<b>N</b>	<b>N</b>	<b>N</b>	<b>N</b>	800 × 800 mm	388	436	478
<b>W</b>	<b>N</b>	<b>C</b>	<b>R</b>		<b>3</b>	<b>9</b>	<b>N</b>	<b>N</b>	<b>N</b>	<b>N</b>	900 × 900 mm	430	478	520

\* Cable outlets, electrical ports and the prices available on page 280.

90° 1/4 circle table top

										Laminate +6	Veneer +4	Veneer +5		
<b>R</b>	Right table (on the drawing)													
<b>L</b>	Left table													
<b>dimensions</b>														
<b>W</b>	<b>N</b>	<b>C</b>	<b>O</b>		<b>4</b>	<b>0</b>	<b>N</b>	<b>N</b>	<b>R</b>	<b>N</b>	700 × 700 mm*	289	336	378
<b>W</b>	<b>N</b>	<b>C</b>	<b>O</b>		<b>4</b>	<b>1</b>	<b>N</b>	<b>N</b>	<b>R</b>	<b>N</b>	800 × 800 mm	331	378	420
<b>W</b>	<b>N</b>	<b>C</b>	<b>O</b>		<b>4</b>	<b>2</b>	<b>N</b>	<b>N</b>	<b>R</b>	<b>N</b>	900 × 900 mm	373	420	462

\* Available only with outermost legs arrangement.

**-** Outermost legs arrangement  
**P** Recessed legs arrangement

## 90° 1/4 circle with intercut table top

										Laminate +6	Veneer +4	Veneer +5	
										<b>depth</b>			
<b>W</b>	<b>N</b>	<b>C</b>	<b>I</b>	<b>-</b>	<b>4 0</b>	<b>N</b>	<b>N</b>	<b>N</b>	<b>N</b>	700 mm**	509	556	598
<b>W</b>	<b>N</b>	<b>C</b>	<b>I</b>	<b>-</b>	<b>4 1</b>	<b>N</b>	<b>N</b>	<b>N</b>	<b>N</b>	800 mm	588	635	677
<b>W</b>	<b>N</b>	<b>C</b>	<b>I</b>	<b>-</b>	<b>4 2</b>	<b>N</b>	<b>N</b>	<b>N</b>	<b>N</b>	900 mm	667	714	756

<b>-</b>	Outermost legs arrangement
<b>P</b>	Recessed legs arrangement

\* Cable outlets, electrical ports and the prices available on page 280.  
\*\*Available only with outermost legs arrangement.

## 1/4 ellipse table top

										Laminate +6	Veneer +4	Veneer +5	
										<b>depth</b>			
<b>W</b>	<b>N</b>	<b>C</b>	<b>Y</b>	<b>-</b>	<b>4 0</b>	<b>N</b>	<b>N</b>	<b>R</b>	<b>N</b>	700 mm**	651	698	740
<b>W</b>	<b>N</b>	<b>C</b>	<b>Y</b>	<b>-</b>	<b>4 1</b>	<b>N</b>	<b>N</b>	<b>R</b>	<b>N</b>	800 mm	756	803	845
<b>W</b>	<b>N</b>	<b>C</b>	<b>Y</b>	<b>-</b>	<b>4 2</b>	<b>N</b>	<b>N</b>	<b>R</b>	<b>N</b>	900 mm	861	908	950

<b>-</b>	Outermost legs arrangement
<b>P</b>	Recessed legs arrangement

\* Cable outlets, electrical ports and the prices available on page 280.  
\*\*Available only with outermost legs arrangement.



120° with intercut table top

							<table border="1"> <tr> <td><b>N</b></td> <td>Without outlet for cables/electrical ports</td> <td><b>Laminate</b></td> <td><b>Veneer</b></td> <td><b>Veneer</b></td> </tr> <tr> <td><b>P</b></td> <td>Outlet for cables/round electrical port POINT*</td> <td><b>+6</b></td> <td><b>+4</b></td> <td><b>+5</b></td> </tr> </table>				<b>N</b>	Without outlet for cables/electrical ports	<b>Laminate</b>	<b>Veneer</b>	<b>Veneer</b>	<b>P</b>	Outlet for cables/round electrical port POINT*	<b>+6</b>	<b>+4</b>	<b>+5</b>																																					
<b>N</b>	Without outlet for cables/electrical ports	<b>Laminate</b>	<b>Veneer</b>	<b>Veneer</b>																																																					
<b>P</b>	Outlet for cables/round electrical port POINT*	<b>+6</b>	<b>+4</b>	<b>+5</b>																																																					
							<table border="1"> <tr> <td><b>N</b></td> <td>Without outlet for cables/electrical ports</td> <td></td> <td></td> <td></td> </tr> <tr> <td><b>L</b></td> <td>Left outlet for cables/round electrical port POINT*</td> <td></td> <td></td> <td></td> </tr> <tr> <td><b>R</b></td> <td>Right outlet for cables/round electrical port POINT*</td> <td></td> <td></td> <td></td> </tr> <tr> <td><b>M</b></td> <td>Middle outlet for cables/port POINT/port TURN*</td> <td></td> <td></td> <td></td> </tr> <tr> <td><b>D</b></td> <td>Left + right outlet for cables/round electrical port POINT*</td> <td></td> <td></td> <td></td> </tr> <tr> <td><b>K</b></td> <td>Left + right + middle outlet for cables/round electrical port POINT*</td> <td></td> <td></td> <td></td> </tr> </table>				<b>N</b>	Without outlet for cables/electrical ports				<b>L</b>	Left outlet for cables/round electrical port POINT*				<b>R</b>	Right outlet for cables/round electrical port POINT*				<b>M</b>	Middle outlet for cables/port POINT/port TURN*				<b>D</b>	Left + right outlet for cables/round electrical port POINT*				<b>K</b>	Left + right + middle outlet for cables/round electrical port POINT*																				
<b>N</b>	Without outlet for cables/electrical ports																																																								
<b>L</b>	Left outlet for cables/round electrical port POINT*																																																								
<b>R</b>	Right outlet for cables/round electrical port POINT*																																																								
<b>M</b>	Middle outlet for cables/port POINT/port TURN*																																																								
<b>D</b>	Left + right outlet for cables/round electrical port POINT*																																																								
<b>K</b>	Left + right + middle outlet for cables/round electrical port POINT*																																																								
							<table border="1"> <tr> <th colspan="2"></th> <th colspan="2">depth</th> <th></th> </tr> <tr> <td><b>W</b></td> <td><b>N</b></td> <td><b>C</b></td> <td><b>X</b></td> <td><b>-</b></td> <td><b>4 0</b></td> <td><b>N</b></td> <td><b>N</b></td> <td><b>N</b></td> <td><b>N</b></td> <td>700 mm**</td> <td>840</td> <td>887</td> <td>929</td> </tr> <tr> <td><b>W</b></td> <td><b>N</b></td> <td><b>C</b></td> <td><b>X</b></td> <td><b>-</b></td> <td><b>4 1</b></td> <td><b>N</b></td> <td><b>N</b></td> <td><b>N</b></td> <td><b>N</b></td> <td>800 mm</td> <td>919</td> <td>966</td> <td>1008</td> </tr> <tr> <td><b>W</b></td> <td><b>N</b></td> <td><b>C</b></td> <td><b>X</b></td> <td><b>-</b></td> <td><b>4 2</b></td> <td><b>N</b></td> <td><b>N</b></td> <td><b>N</b></td> <td><b>N</b></td> <td>900 mm</td> <td>998</td> <td>1045</td> <td>1087</td> </tr> </table>						depth			<b>W</b>	<b>N</b>	<b>C</b>	<b>X</b>	<b>-</b>	<b>4 0</b>	<b>N</b>	<b>N</b>	<b>N</b>	<b>N</b>	700 mm**	840	887	929	<b>W</b>	<b>N</b>	<b>C</b>	<b>X</b>	<b>-</b>	<b>4 1</b>	<b>N</b>	<b>N</b>	<b>N</b>	<b>N</b>	800 mm	919	966	1008	<b>W</b>	<b>N</b>	<b>C</b>	<b>X</b>	<b>-</b>	<b>4 2</b>	<b>N</b>	<b>N</b>	<b>N</b>	<b>N</b>	900 mm	998	1045	1087
		depth																																																							
<b>W</b>	<b>N</b>	<b>C</b>	<b>X</b>	<b>-</b>	<b>4 0</b>	<b>N</b>	<b>N</b>	<b>N</b>	<b>N</b>	700 mm**	840	887	929																																												
<b>W</b>	<b>N</b>	<b>C</b>	<b>X</b>	<b>-</b>	<b>4 1</b>	<b>N</b>	<b>N</b>	<b>N</b>	<b>N</b>	800 mm	919	966	1008																																												
<b>W</b>	<b>N</b>	<b>C</b>	<b>X</b>	<b>-</b>	<b>4 2</b>	<b>N</b>	<b>N</b>	<b>N</b>	<b>N</b>	900 mm	998	1045	1087																																												
				<b>-</b>	Outermost legs arrangement																																																				
				<b>P</b>	Recessed legs arrangement																																																				

\* Cable outlets, electrical ports and the prices available on page 280.

\*\*Available only with outermost legs arrangement.

60° both side rounded table top

							<table border="1"> <tr> <td><b>N</b></td> <td>Without outlet for cables/electrical ports</td> <td><b>Laminate</b></td> <td><b>Veneer</b></td> <td><b>Veneer</b></td> </tr> <tr> <td><b>P</b></td> <td>Outlet for cables/round electrical port POINT*</td> <td><b>+6</b></td> <td><b>+4</b></td> <td><b>+5</b></td> </tr> </table>				<b>N</b>	Without outlet for cables/electrical ports	<b>Laminate</b>	<b>Veneer</b>	<b>Veneer</b>	<b>P</b>	Outlet for cables/round electrical port POINT*	<b>+6</b>	<b>+4</b>	<b>+5</b>																																					
<b>N</b>	Without outlet for cables/electrical ports	<b>Laminate</b>	<b>Veneer</b>	<b>Veneer</b>																																																					
<b>P</b>	Outlet for cables/round electrical port POINT*	<b>+6</b>	<b>+4</b>	<b>+5</b>																																																					
							<table border="1"> <tr> <td><b>N</b></td> <td>Without outlet for cables/electrical ports</td> <td></td> <td></td> <td></td> </tr> <tr> <td><b>M</b></td> <td>Middle outlet for cables/electrical port POINT*</td> <td></td> <td></td> <td></td> </tr> </table>				<b>N</b>	Without outlet for cables/electrical ports				<b>M</b>	Middle outlet for cables/electrical port POINT*																																								
<b>N</b>	Without outlet for cables/electrical ports																																																								
<b>M</b>	Middle outlet for cables/electrical port POINT*																																																								
							<table border="1"> <tr> <th colspan="2"></th> <th colspan="2">depth</th> <th></th> </tr> <tr> <td><b>W</b></td> <td><b>N</b></td> <td><b>C</b></td> <td><b>H</b></td> <td><b>-</b></td> <td><b>4 6</b></td> <td><b>N</b></td> <td><b>N</b></td> <td><b>N</b></td> <td><b>N</b></td> <td>700 mm**</td> <td>373</td> <td>420</td> <td>462</td> </tr> <tr> <td><b>W</b></td> <td><b>N</b></td> <td><b>C</b></td> <td><b>H</b></td> <td><b>-</b></td> <td><b>4 7</b></td> <td><b>N</b></td> <td><b>N</b></td> <td><b>N</b></td> <td><b>N</b></td> <td>800 mm</td> <td>446</td> <td>494</td> <td>536</td> </tr> <tr> <td><b>W</b></td> <td><b>N</b></td> <td><b>C</b></td> <td><b>H</b></td> <td><b>-</b></td> <td><b>4 8</b></td> <td><b>N</b></td> <td><b>N</b></td> <td><b>N</b></td> <td><b>N</b></td> <td>900 mm</td> <td>520</td> <td>567</td> <td>609</td> </tr> </table>						depth			<b>W</b>	<b>N</b>	<b>C</b>	<b>H</b>	<b>-</b>	<b>4 6</b>	<b>N</b>	<b>N</b>	<b>N</b>	<b>N</b>	700 mm**	373	420	462	<b>W</b>	<b>N</b>	<b>C</b>	<b>H</b>	<b>-</b>	<b>4 7</b>	<b>N</b>	<b>N</b>	<b>N</b>	<b>N</b>	800 mm	446	494	536	<b>W</b>	<b>N</b>	<b>C</b>	<b>H</b>	<b>-</b>	<b>4 8</b>	<b>N</b>	<b>N</b>	<b>N</b>	<b>N</b>	900 mm	520	567	609
		depth																																																							
<b>W</b>	<b>N</b>	<b>C</b>	<b>H</b>	<b>-</b>	<b>4 6</b>	<b>N</b>	<b>N</b>	<b>N</b>	<b>N</b>	700 mm**	373	420	462																																												
<b>W</b>	<b>N</b>	<b>C</b>	<b>H</b>	<b>-</b>	<b>4 7</b>	<b>N</b>	<b>N</b>	<b>N</b>	<b>N</b>	800 mm	446	494	536																																												
<b>W</b>	<b>N</b>	<b>C</b>	<b>H</b>	<b>-</b>	<b>4 8</b>	<b>N</b>	<b>N</b>	<b>N</b>	<b>N</b>	900 mm	520	567	609																																												
				<b>-</b>	Outermost legs arrangement																																																				
				<b>P</b>	Recessed legs arrangement																																																				

\* Cable outlets, electrical ports and the prices available on page 280.

\*\*Available only with outermost legs arrangement.

## 45° back side rounded table top

										depth			
										Laminate +6	Veneer +4	Veneer +5	
<b>N</b>	Without outlet for cables/electrical ports												
<b>P</b>	Outlet for cables/round electrical port POINT*												
<b>N</b>	Without outlet for cables/electrical ports												
<b>M</b>	Middle outlet for cables/electrical port POINT*												
<b>W</b>	<b>N</b>	<b>C</b>	<b>U</b>	<b>-</b>	<b>4 0</b>	<b>N</b>	<b>N</b>	<b>N</b>	<b>N</b>	700 mm**	368	415	457
<b>W</b>	<b>N</b>	<b>C</b>	<b>U</b>	<b>-</b>	<b>4 1</b>	<b>N</b>	<b>N</b>	<b>N</b>	<b>N</b>	800 mm	394	441	483
<b>W</b>	<b>N</b>	<b>C</b>	<b>U</b>	<b>-</b>	<b>4 2</b>	<b>N</b>	<b>N</b>	<b>N</b>	<b>N</b>	900 mm	420	467	509
<b>-</b>	Outermost legs arrangement												
<b>P</b>	Recessed legs arrangement												

\* Cable outlets, electrical ports and the prices available on page 280.  
 \*\*Available only with outermost legs arrangement.

## 45° both side rounded table top

										depth			
										Laminate +6	Veneer +4	Veneer +5	
<b>N</b>	Without outlet for cables/electrical ports												
<b>P</b>	Outlet for cables/round electrical port POINT*												
<b>E</b>	Outlet for rectangular electrical port TURN*												
<b>N</b>	Without outlet for cables/electrical ports												
<b>L</b>	Left outlet for cables/round electrical port POINT*												
<b>R</b>	Right outlet for cables/round electrical port POINT*												
<b>M</b>	Middle outlet for cables/port POINT/port TURN*												
<b>D</b>	Left + right outlet for cables/round electrical port POINT*												
<b>K</b>	Left + right + middle outlet for cables/round electrical port POINT*												
<b>W</b>	<b>N</b>	<b>C</b>	<b>F</b>	<b>-</b>	<b>4 0</b>	<b>N</b>	<b>N</b>	<b>N</b>	<b>N</b>	700 mm**	420	467	509
<b>W</b>	<b>N</b>	<b>C</b>	<b>F</b>	<b>-</b>	<b>4 1</b>	<b>N</b>	<b>N</b>	<b>N</b>	<b>N</b>	800 mm	472	520	562
<b>W</b>	<b>N</b>	<b>C</b>	<b>F</b>	<b>-</b>	<b>4 2</b>	<b>N</b>	<b>N</b>	<b>N</b>	<b>N</b>	900 mm	525	572	614
<b>-</b>	Outermost legs arrangement												
<b>P</b>	Recessed legs arrangement												

\* Cable outlets, electrical ports and the prices available on page 280.  
 \*\*Available only with outermost legs arrangement.

30° both side rounded table top

										Laminate +6	Veneer +4	Veneer +5		
<b>N</b>	Without outlet for cables/electrical ports													
<b>P</b>	Outlet for cables/round electrical port POINT*													
<b>E</b>	Outlet for rectangular electrical port TURN*													
<b>N</b>	Without outlet for cables/electrical ports													
<b>L</b>	Left outlet for cables/round electrical port POINT*													
<b>R</b>	Right outlet for cables/round electrical port POINT*													
<b>M</b>	Middle outlet for cables/port POINT/port TURN*													
<b>D</b>	Left + right outlet for cables/round electrical port POINT*													
<b>K</b>	Left + right + middle outlet for cables/round electrical port POINT*													
<b>depth</b>														
<b>W</b>	<b>N</b>	<b>C</b>	<b>B</b>	<b>-</b>	<b>4</b>	<b>3</b>	<b>N</b>	<b>N</b>	<b>N</b>	<b>N</b>	700 mm**	499	546	588
<b>W</b>	<b>N</b>	<b>C</b>	<b>B</b>	<b>-</b>	<b>4</b>	<b>4</b>	<b>N</b>	<b>N</b>	<b>N</b>	<b>N</b>	800 mm	556	604	646
<b>W</b>	<b>N</b>	<b>C</b>	<b>B</b>	<b>-</b>	<b>4</b>	<b>5</b>	<b>N</b>	<b>N</b>	<b>N</b>	<b>N</b>	900 mm	614	662	704
	<b>-</b>	Outermost legs arrangement												
	<b>P</b>	Recessed legs arrangement												

\* Cable outlets, electrical ports and the prices available on page 280.  
\*\* Available only with outermost legs arrangement.

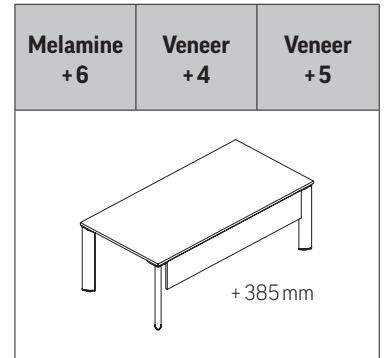
“Sail” table top

										Laminate +6	Veneer +4	Veneer +5		
<b>N</b>	Without outlet for cables/electrical ports													
<b>P</b>	Outlet for cables/round electrical port POINT*													
<b>E</b>	Outlet for rectangular electrical port TURN*													
<b>N</b>	Without outlet for cables/electrical ports													
<b>L</b>	Left outlet for cables/round electrical port POINT* (for right tables)													
<b>R</b>	Right outlet for cables/round electrical port POINT* (for left tables)													
<b>M</b>	Middle outlet for cables/port POINT/port TURN*													
<b>G</b>	Central + left outlet for cables/port POINT* (for right tables)													
<b>F</b>	Central + right outlet for cables/port POINT* (for left tables)													
			<b>R</b>	Right table (on the drawing)										
			<b>L</b>	Left table										
<b>dimensions</b>														
<b>W</b>	<b>N</b>	<b>C</b>	<b>Q</b>	<b>-</b>	<b>4</b>	<b>0</b>	<b>N</b>	<b>N</b>	<b>R</b>	<b>N</b>	1500 × 700 mm**	462	509	551
<b>W</b>	<b>N</b>	<b>C</b>	<b>Q</b>	<b>-</b>	<b>4</b>	<b>1</b>	<b>N</b>	<b>N</b>	<b>R</b>	<b>N</b>	1600 × 800 mm	494	541	583
<b>W</b>	<b>N</b>	<b>C</b>	<b>Q</b>	<b>-</b>	<b>4</b>	<b>2</b>	<b>N</b>	<b>N</b>	<b>R</b>	<b>N</b>	1700 × 900 mm	525	572	614
	<b>-</b>	Outermost legs arrangement												
	<b>P</b>	Recessed legs arrangement												

\* Cable outlets, electrical ports and the prices available on page 280.  
\*\* Available only with outermost legs arrangement.  
**Attention!** For “Sail” table tops required additional connectors (2 pieces), available on page 279.

# Panels

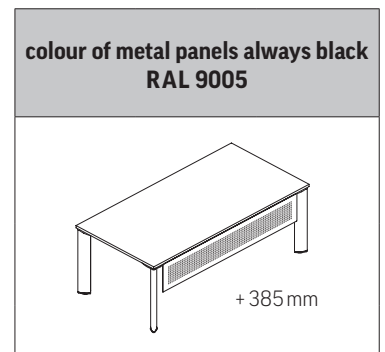
## Modesty board panels Panels for straight table tops



modesty panels for table tops:

W	N	C	P	D	T	N	1	4	P	N	N				
												straight 1400 mm	51	142	158
												straight 1600 mm	56	147	168
												straight 1800 mm	58	163	184

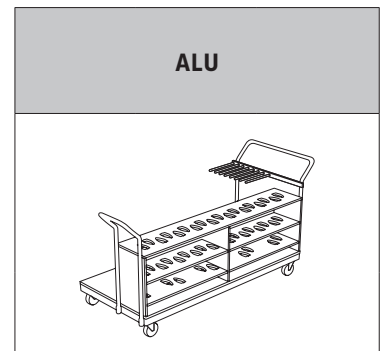
## Modesty metal panels Panels for straight and rounded table tops



modesty panels for table tops:


W	N	C	P	D	T	N	1	4	M	N	N		
												straight 1400 mm	147
												straight 1600 mm	163
												straight 1800 mm	168
						Z	3	0	M	N	N	30° both side rounded	158
						Z	4	5	M	N	N	45° both side rounded	142
						Z	9	2	M	N	N	120° with intercut	142
						Z	9	0	M	N	N	1/4 circle with intercut	131
						Z	9	9	M	N	N	1/4 ellipse	142

## Trolley for legs and table tops Storage or transportation purposes




W	N	C	A	U	X	0	9			
								maximum 18 legs and 7 table tops		1129

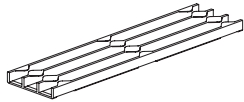
Complete leg with mechanism, mounted to table top

<b>colours: AN, CZ, BI</b>	
	
<b>W N C N O 1</b>	1 pc. With leveling feet
<b>W N C N O 2</b>	2 pcs. With leveling feet
<b>W N C N O 3</b>	1 pc. With felt leveling feet
<b>W N C N O 4</b>	2 pcs. With felt leveling feet


Vertical wire trunking made of metal

<b>colour of wire trunking always black</b>	
	
<b>W N C A U X O 4</b>	1 pc.

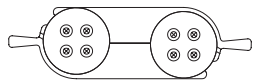
Horizontal wire trunking made of plastic

<b>colour of wire trunking always black</b>	
	
<b>W N C A U X O 5</b>	1 pc. 280 × 68 mm

Horizontal wire trunking made of plastic

<b>colour of connectors always black</b>	
	
<b>W N C A U X O 10</b>	1 set (4 pcs.)

Connectors for „sail” tables

<b>colour of connectors always black</b>	
	
<b>W N C A U X O 7</b>	1 set (2 pcs.)

# Electrical ports

CX 3200

## Round electrical port A&H Meyer Point 3 ports, 1 power sockets + 1 × RJ45 + 1 × USB

<b>W</b>	<b>N</b>	<b>C</b>	<b>A</b>	<b>U</b>	<b>X</b>	<b>O</b>	<b>1</b>	<b>A</b>	<b>H</b>	<b>G</b>	<b>E</b>	<b>C</b>	<b>R</b>	German standard (without pin)		101
<b>W</b>	<b>N</b>	<b>C</b>	<b>A</b>	<b>U</b>	<b>X</b>	<b>O</b>	<b>1</b>	<b>A</b>	<b>H</b>	<b>F</b>	<b>R</b>	<b>C</b>	<b>R</b>	French standard (with pin)		104
<b>W</b>	<b>N</b>	<b>C</b>	<b>A</b>	<b>U</b>	<b>X</b>	<b>O</b>	<b>1</b>	<b>A</b>	<b>H</b>	<b>G</b>	<b>B</b>	<b>C</b>	<b>R</b>	British standard		110
<b>W</b>	<b>N</b>	<b>C</b>	<b>A</b>	<b>U</b>	<b>X</b>	<b>O</b>	<b>1</b>	<b>A</b>	<b>H</b>	<b>C</b>	<b>H</b>	<b>C</b>	<b>R</b>	Swiss standard		118

The port is available only as a matte chrome version.

## Rectangular electrical port Netbox Turn Comfort 4 Ports, 2 power sockets + 2 × RJ45

<b>W</b>	<b>N</b>	<b>C</b>	<b>A</b>	<b>U</b>	<b>X</b>	<b>O</b>	<b>2</b>	<b>A</b>	<b>H</b>	<b>3</b>	<b>G</b>	<b>E</b>	<b>C</b>	<b>R</b>	German standard (without pin)		449
<b>W</b>	<b>N</b>	<b>C</b>	<b>A</b>	<b>U</b>	<b>X</b>	<b>O</b>	<b>2</b>	<b>A</b>	<b>H</b>	<b>3</b>	<b>F</b>	<b>R</b>	<b>C</b>	<b>R</b>	French standard (with pin)		456
<b>W</b>	<b>N</b>	<b>C</b>	<b>A</b>	<b>U</b>	<b>X</b>	<b>O</b>	<b>2</b>	<b>A</b>	<b>H</b>	<b>3</b>	<b>G</b>	<b>B</b>	<b>C</b>	<b>R</b>	British standard		466

The port is available only in alu colour

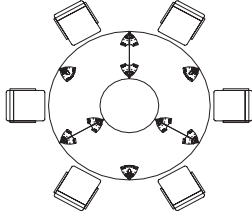
## Round cable outlet A&H Meyer

<b>W</b>	<b>N</b>	<b>C</b>	<b>A</b>	<b>U</b>	<b>X</b>	<b>O</b>	<b>3</b>	<b>C</b>	<b>R</b>						29

The cable outlet is available only as a matte chrome version

## Proposal no. 1

Conference table for 6 people  
Arrangement dimensions (without chairs):  
Ø 2400 mm

Laminate + 6	Veneer + 4	Veneer + 5
		

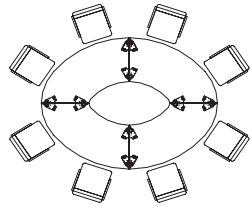
										depth proposal	table tops quantity			
W	N	C	X	4	1	N	N	N	N	800 mm	3	2757	2898	3024

W	N	C	N	0	1	Required quantity of legs for order:	9
---	---	---	---	---	---	--------------------------------------	---

Price for the whole arrangement (tables + legs):										3891	4032	4158
--	--	--	--	--	--	--	--	--	--	------	------	------

## Proposal no. 2

Conference table for 8 people  
Arrangement dimensions (without chairs):  
2800 × 2300 mm

Laminate + 6	Veneer + 4	Veneer + 5
		

										depth proposal	table tops quantity				
W	N	C	Y	4	1	N	N	R	N	800 mm	2	4 pcs.	3024	3212	3380
W	N	C	Y	4	1	N	N	L	N	800 mm	2				

W	N	C	N	0	2	Required quantity of leg sets for order:	4
---	---	---	---	---	---	--	---

Price for the whole arrangement (tables + legs):										4012	4200	4368
--	--	--	--	--	--	--	--	--	--	------	------	------

All prices for the sample arrangement (table tops + legs) do not include additional elements:  
cable wire trunking, electrical ports, and costs of the seats

# Proposals of arrangements – outermost legs

## Proposal no. 3

Conference table for 8 people  
Arrangement dimensions (without chairs):  
3200 × 1600 mm

Laminate + 6	Veneer + 4	Veneer + 5			
<b>dimensions proposal    table tops quantity</b>					
<b>W N C R 1 0 N N N N</b>	1600 × 800 mm	2	1102	1196	1280
<b>W N C O 4 1 N N R N</b>	90° 1/4 circle (800mm)	2 (4 pcs.)	1324	1512	1680
<b>W N C O 4 1 N N L N</b>	90° 1/4 circle (800mm)	2 (4 pcs.)			

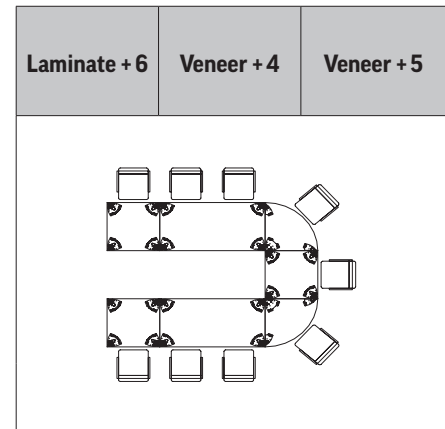
<b>W N C N 0 2</b>	Required quantity of leg sets for order:	5
--------------------	--	---

Price for the whole arrangement (tables + legs):	3661	3943	4195
--	------	------	------



## Proposal no. 4

Conference table for 9 people  
Arrangement dimensions (without chairs):  
3200 × 2400 mm



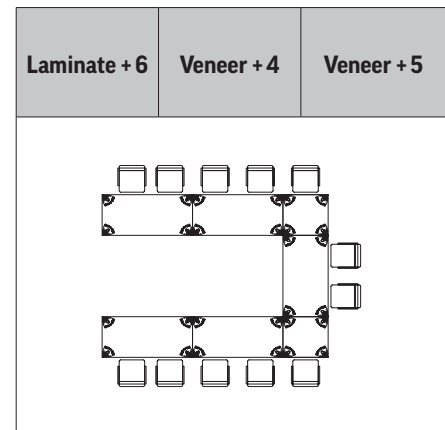
										dimensions proposal	table tops quantity	Laminate + 6	Veneer + 4	Veneer + 5
W	N	C	R	1	0	N	N	N	N	1600 × 800 mm	2	1102	1196	1280
W	N	C	R	0	2	N	N	N	N	800 × 800 mm	3	1164	1308	1434
W	N	C	O	4	1	N	N	R	N	90° 1/4 circle (800mm)	1 (2 pcs.)	662	756	840
W	N	C	O	4	1	N	N	L	N	90° 1/4 circle (800mm)	1 (2 pcs.)			

W	N	C	N	0	2	Required quantity of leg sets for order:	8
---	---	---	---	---	---	--	---

Price for the whole arrangement (tables + legs):											4904	5236	5530
--	--	--	--	--	--	--	--	--	--	--	------	------	------

## Proposal no. 5

Conference table for 12 people  
Arrangement dimensions (without chairs):  
4000 × 3200 mm



										dimensions proposal	table tops quantity	Laminate + 6	Veneer + 4	Veneer + 5
W	N	C	R	1	0	N	N	N	N	1600 × 800 mm	5	2755	2990	3200
W	N	C	R	0	2	N	N	N	N	800 × 800 mm	2	776	872	956

W	N	C	N	0	2	Required quantity of leg sets for order:	9
---	---	---	---	---	---	--	---

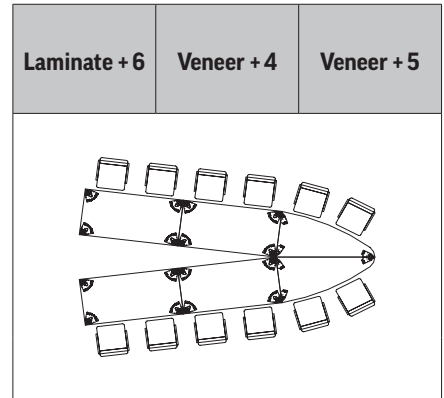
Price for the whole arrangement (tables + legs):											5754	6085	6379
--	--	--	--	--	--	--	--	--	--	--	------	------	------

All prices for the sample arrangement (table tops + legs) do not include additional elements:  
cable wire trunking, electrical ports, and costs of the seats

# Proposals of arrangements – outermost legs

## Proposal no. 6

Conference table for 12 people  
Arrangement dimensions (without chairs):  
4776 × 2368 mm



										dimensions proposal	table tops quantity	Laminate + 6	Veneer + 4	Veneer + 5
W	N	C	R	1	0	N	N	N	N	1600 × 800 mm	4	2204	2392	2560
W	N	C	Q	4	1	N	N	R	N	"Sail" (800 mm)	1 (2 pcs.)	988	1082	1166
W	N	C	Q	4	1	N	N	L	N	"Sail" (800 mm)	1 (2 pcs.)			

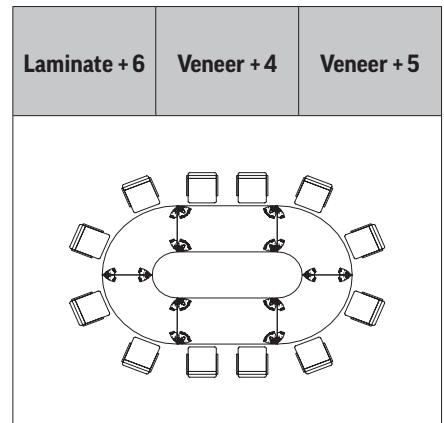
W	N	C	N	0	1	Required quantity of legs for order:	13
---	---	---	---	---	---	--------------------------------------	----

W	S	F	A	U	X	0	1	Connectors 1 set (2 pcs.)	19
---	---	---	---	---	---	---	---	---------------------------	----

Price for the whole arrangement:											4849	5131	5383
----------------------------------	--	--	--	--	--	--	--	--	--	--	------	------	------

## Proposal no. 7

Conference table for 12 people  
Arrangement dimensions (without chairs):  
4000 × 2400 mm



										dimensions proposal	table tops quantity	Laminate + 6	Veneer + 4	Veneer + 5
W	N	C	R	1	0	N	N	N	N	1600 × 800 mm	2	1102	1196	1280
W	N	C	I	4	1	N	N	N	N	90° with intercut (800 mm)	4	2352	2540	2708

W	N	C	N	0	2	Required quantity of leg sets for order:	6
---	---	---	---	---	---	--	---

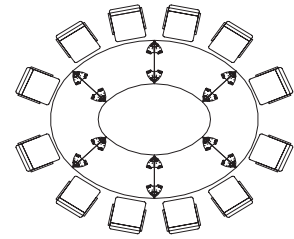
Price for the whole arrangement (tables + legs):											4936	5218	5470
--	--	--	--	--	--	--	--	--	--	--	------	------	------

All prices for the sample arrangement (table tops + legs) do not include additional elements, such as cable wire trunking, electrical ports, and costs of the seats.

## Proposal no. 8

Conference table for 12 people  
Arrangement dimensions (without chairs):  
3249 × 2751 mm

Laminate + 6	Veneer + 4	Veneer + 5
--------------	------------	------------



										dimensions proposal	table tops quantity			
W	N	C	I	4	1	N	N	N	N	90° with intercut (800mm)	2	1176	1270	1354
W	N	C	F	4	1	N	N	N	N	45° both side rounded	4	1888	2080	2248

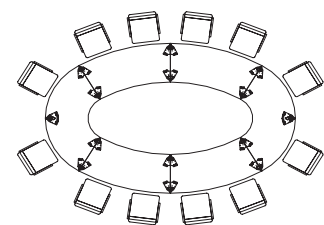
W	N	C	N	0	2	Required quantity of leg sets for order:					6
---	---	---	---	---	---	--	--	--	--	--	---

Price for the whole arrangement (tables + legs):											4546	4830	5082
--	--	--	--	--	--	--	--	--	--	--	------	------	------

## Proposal no. 9

Conference table for 12 people  
Arrangement dimensions (without chairs):  
4300 × 2909 mm

Laminate + 6	Veneer + 4	Veneer + 5
--------------	------------	------------



										dimensions proposal	table tops quantity			
W	N	C	B	4	4	N	N	N	N	30° both side rounded	4	2224	2416	2584
W	N	C	X	4	1	N	N	N	N	120° with intercut (800mm)	2	1838	1932	2016

W	N	C	N	0	2	Required quantity of leg sets for order:					7
---	---	---	---	---	---	--	--	--	--	--	---

Price for the whole arrangement (tables + legs):											5791	6077	6329
--	--	--	--	--	--	--	--	--	--	--	------	------	------

All prices for the sample arrangement (table tops + legs) do not include additional elements: cable wire trunking, electrical ports, and costs of the seats

# Proposals of arrangements – outermost legs

## Proposal no. 10

Conference table for 12 people  
Arrangement dimensions (without chairs):  
4000 × 3786 mm

Laminate + 6	Veneer + 4	Veneer + 5			
<b>dimensions proposal    table tops quantity</b>					
<b>W N C R 1 0 N N N N</b>	1600 × 800 mm	3	1653	1794	1920
<b>W N C X 4 1 N N N N</b>	120° with intercut (800 mm)	3	2757	2898	3024

<b>W N C N 0 1</b>	Required quantity of legs for order:	15
--------------------	--------------------------------------	----

Price for the whole arrangement (tables + legs):	6300	6582	6834
--	------	------	------

## Proposal no. 11

Conference table for 12 people  
Arrangement dimensions (without chairs):  
3384 × 3316 mm

Laminate + 6	Veneer + 4	Veneer + 5			
<b>dimensions proposal    table tops quantity</b>					
<b>W N C I 4 1 N N N N</b>	90° with intercut (800 mm)	3	1764	1905	2031
<b>W N C B 4 4 N N N N</b>	30° both side rounded	3	1668	1812	1938

<b>W N C N 0 2</b>	Required quantity of leg sets for order:	6
--------------------	--	---

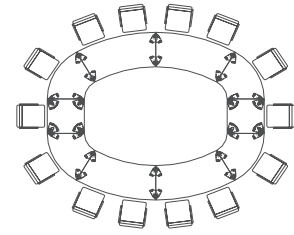
Price for the whole arrangement (tables + legs):	4914	5199	5451
--	------	------	------

All prices for the sample arrangement (table tops + legs) do not include additional elements, such as cable wire trunking, electrical ports, and costs of the seats.

## Proposal no. 12

Conference table for 14 people  
Arrangement dimensions (without chairs):  
4300 × 3709 mm

Laminate + 6	Veneer + 4	Veneer + 5
--------------	------------	------------



										dimensions proposal	table tops quantity			
W	N	C	R	0	2	N	N	N	N	800 × 800 mm	2	776	872	956
W	N	C	B	4	4	N	N	N	N	30° both side rounded	4	2224	2416	2584
W	N	C	H	4	7	N	N	N	N	60° both side rounded	4	1784	1976	2144

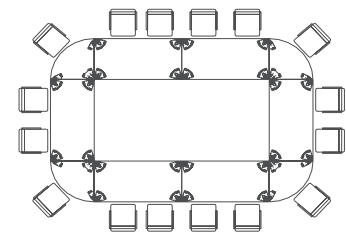
W	N	C	N	0	2	Required quantity of leg sets for order:					10
---	---	---	---	---	---	--	--	--	--	--	----

Price for the whole arrangement (tables + legs):											7254	7734	8154
--	--	--	--	--	--	--	--	--	--	--	------	------	------

## Proposal no. 13

Conference table for 16 people  
Arrangement dimensions (without chairs):  
4800 × 3200 mm

Laminate + 6	Veneer + 4	Veneer + 5
--------------	------------	------------



										dimensions proposal	table tops quantity			
W	N	C	R	1	0	N	N	N	N	1600 × 800 mm	6	3306	3588	3840
W	N	C	O	4	1	N	N	R	N	90° 1/4 circle (800 mm)	2 (4 pcs.)	1324	1512	1680
W	N	C	O	4	1	N	N	L	N	90° 1/4 circle (800 mm)	2 (4 pcs.)			

W	N	C	N	0	2	Required quantity of leg sets for order:					10
---	---	---	---	---	---	--	--	--	--	--	----

Price for the whole arrangement (tables + legs):											7100	7570	7990
--	--	--	--	--	--	--	--	--	--	--	------	------	------

All prices for the sample arrangement (table tops + legs) do not include additional elements: cable wire trunking, electrical ports, and costs of the seats

# Proposals of arrangements – recessed legs

## Proposal no. 1

Conference table for 10 people  
Arrangement dimensions (without chairs):  
Ø 2400 mm

Laminate +6	Veneer +4	Veneer +5													
<b>dimensions proposal</b>		<b>table tops quantity</b>													
<b>W</b>	<b>N</b>	<b>C</b>	<b>X</b>	<b>P</b>	<b>4</b>	<b>1</b>	<b>N</b>	<b>N</b>	<b>N</b>	<b>N</b>	800 mm	3			

<b>W</b>	<b>N</b>	<b>C</b>	<b>N</b>	<b>O</b>	<b>1</b>	Required quantity of leg sets for order:	9
----------	----------	----------	----------	----------	----------	--	---

Price for the whole arrangement (tables + legs):			
--	--	--	--

## Proposal no. 2

Conference table for 10 people  
Arrangement dimensions (without chairs): 3200 × 1600 mm

Laminate +6	Veneer +4	Veneer +5													
<b>dimensions proposal</b>		<b>table tops quantity</b>													
<b>W</b>	<b>N</b>	<b>C</b>	<b>R</b>	<b>P</b>	<b>1</b>	<b>0</b>	<b>N</b>	<b>N</b>	<b>N</b>	<b>N</b>	1600 × 800 mm	2			
<b>W</b>	<b>N</b>	<b>C</b>	<b>O</b>	<b>P</b>	<b>4</b>	<b>1</b>	<b>N</b>	<b>N</b>	<b>R</b>	<b>N</b>	90° 1/4 circle (800 mm)	2			
<b>W</b>	<b>N</b>	<b>C</b>	<b>O</b>	<b>P</b>	<b>4</b>	<b>1</b>	<b>N</b>	<b>N</b>	<b>L</b>	<b>N</b>	90° 1/4 circle (800 mm)	2			

<b>W</b>	<b>N</b>	<b>C</b>	<b>N</b>	<b>O</b>	<b>2</b>	Required quantity of leg sets for order:	5
----------	----------	----------	----------	----------	----------	--	---

Price for the whole arrangement (tables + legs):			
--	--	--	--

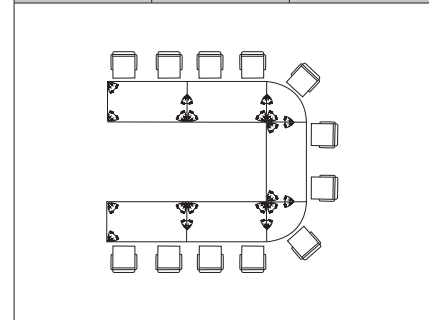
All prices for the sample arrangement (table tops + legs) do not include additional elements, such as cable wire trunking, electrical ports, and costs of the seats.

## Proposal no. 3

Conference table for 12 people

Arrangement dimensions (without chairs): 4000 × 3200 mm

Laminate +6	Veneer +4	Veneer +5
-------------	-----------	-----------



										dimensions proposal	table tops quantity				
W	N	C	R	P	1	0	N	N	R	N	1600 × 800 mm	1			
W	N	C	R	P	1	0	N	N	L	N	1600 × 800 mm	1			
W	N	C	R	P	1	0	N	N	N	N	1600 × 800 mm	3			
W	N	C	O	P	4	1	N	N	R	N	800 × 800 mm	1			
W	N	C	O	P	4	1	N	N	L	N	800 × 800 mm	1			

W	N	C	N	0	2	Required quantity of leg sets for order:	8
---	---	---	---	---	---	--	---

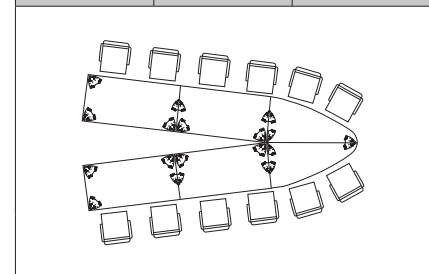
Price for the whole arrangement (tables + legs):			
--	--	--	--

## Proposal no. 4

Conference table for 12 people

Arrangement dimensions (without chairs): 4776 × 2368 mm

Laminate +6	Veneer +4	Veneer +5
-------------	-----------	-----------



										dimensions proposal	table tops quantity				
W	N	C	R	P	1	0	N	N	R	N	1600 × 800 mm	1			
W	N	C	R	P	1	0	N	N	L	N	1600 × 800 mm	1			
W	N	C	R	P	1	0	N	N	N	N	1600 × 800 mm	2			
W	N	C	Q	P	4	1	N	N	L	N	"Sail" (800 mm)	1			
W	N	C	Q	P	4	1	N	N	R	N	"Sail" (800 mm)	1			

W	S	F	A	U	X	0	1	Connectors 1 set (2 pcs.)	
---	---	---	---	---	---	---	---	---------------------------	--

W	N	C	N	0	1	Required quantity of leg sets for order:	13
---	---	---	---	---	---	--	----

Price for the whole arrangement (tables + legs):			
--	--	--	--

All prices for the sample arrangement (table tops + legs) do not include additional elements, such as cable wire trunking, electrical ports, and costs of the seats.

# Proposals of arrangements – recessed legs

## Proposal no. 5

Conference table for 10 people  
Arrangement dimensions (without chairs): 2800 × 2300 mm

Laminate + 6	Veneer + 4	Veneer + 5																																
<b>dimensions proposal    table tops quantity</b>																																		
<table border="1" style="width: 100%; border-collapse: collapse;"> <tr> <td style="width: 10%;">W</td><td style="width: 10%;">N</td><td style="width: 10%;">C</td><td style="width: 10%;">Y</td><td style="width: 10%;">P</td><td style="width: 10%;">4</td><td style="width: 10%;">1</td><td style="width: 10%;">N</td><td style="width: 10%;">N</td><td style="width: 10%;">R</td><td style="width: 10%;">N</td> <td style="width: 20%; text-align: center;">800 mm</td> <td style="width: 10%; text-align: center;">2</td> <td style="width: 10%;"></td> <td style="width: 10%;"></td> <td style="width: 10%;"></td> </tr> <tr> <td>W</td><td>N</td><td>C</td><td>Y</td><td>P</td><td>4</td><td>1</td><td>N</td><td>N</td><td>L</td><td>N</td> <td style="text-align: center;">800 mm</td> <td style="text-align: center;">2</td> <td></td> <td></td> <td></td> </tr> </table>			W	N	C	Y	P	4	1	N	N	R	N	800 mm	2				W	N	C	Y	P	4	1	N	N	L	N	800 mm	2			
W	N	C	Y	P	4	1	N	N	R	N	800 mm	2																						
W	N	C	Y	P	4	1	N	N	L	N	800 mm	2																						

W	N	C	N	0	2	Required quantity of leg sets for order:	4
---	---	---	---	---	---	--	---

Price for the whole arrangement (tables + legs):			
--	--	--	--

All prices for the sample arrangement (table tops + legs) do not include additional elements, such as cable wire trunking, electrical ports, and costs of the seats.

## Proposal no. 6

Conference table for 14 people  
Arrangement dimensions (without chairs): 4000 × 2400 mm

Laminate + 6	Veneer + 4	Veneer + 5																																
<b>dimensions proposal    table tops quantity</b>																																		
<table border="1" style="width: 100%; border-collapse: collapse;"> <tr> <td style="width: 10%;">W</td><td style="width: 10%;">N</td><td style="width: 10%;">C</td><td style="width: 10%;">R</td><td style="width: 10%;">P</td><td style="width: 10%;">1</td><td style="width: 10%;">0</td><td style="width: 10%;">N</td><td style="width: 10%;">N</td><td style="width: 10%;">N</td><td style="width: 10%;">N</td> <td style="width: 20%; text-align: center;">1600 × 800 mm</td> <td style="width: 10%; text-align: center;">2</td> <td style="width: 10%;"></td> <td style="width: 10%;"></td> <td style="width: 10%;"></td> </tr> <tr> <td>W</td><td>N</td><td>C</td><td>I</td><td>P</td><td>4</td><td>1</td><td>N</td><td>N</td><td>N</td><td>N</td> <td style="text-align: center;">90° with intercut (800 mm)</td> <td style="text-align: center;">4</td> <td></td> <td></td> <td></td> </tr> </table>			W	N	C	R	P	1	0	N	N	N	N	1600 × 800 mm	2				W	N	C	I	P	4	1	N	N	N	N	90° with intercut (800 mm)	4			
W	N	C	R	P	1	0	N	N	N	N	1600 × 800 mm	2																						
W	N	C	I	P	4	1	N	N	N	N	90° with intercut (800 mm)	4																						

W	N	C	N	0	2	Required quantity of leg sets for order:	6
---	---	---	---	---	---	--	---

Price for the whole arrangement (tables + legs):			
--	--	--	--

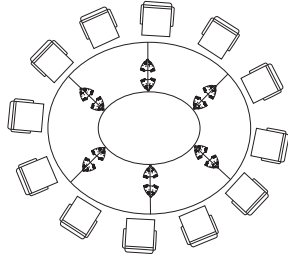
All prices for the sample arrangement (table tops + legs) do not include additional elements, such as cable wire trunking, electrical ports, and costs of the seats.



## Proposal no. 7

Conference table for 12 people

Arrangement dimensions (without chairs): 3249 × 2751 mm

Laminate +6	Veneer +4	Veneer +5
		

										dimensions proposal	table tops quantity	
W	N	C	I	P	4	1	N	N	N	N	90° with intercut (800mm)	2
W	N	C	F	P	4	1	N	N	N	N	45° both side rounded	4

W	N	C	N	O	2	Required quantity of leg sets for order:	6
---	---	---	---	---	---	--	---

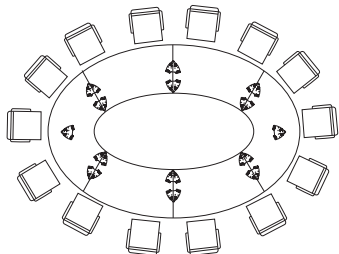
Price for the whole arrangement (tables + legs):			
--	--	--	--

All prices for the sample arrangement (table tops + legs) do not include additional elements, such as cable wire trunking, electrical ports, and costs of the seats.

## Proposal no. 8

Conference table for 14 people

Arrangement dimensions (without chairs): 4300 × 2909 mm

Laminate +6	Veneer +4	Veneer +5
		

										dimensions proposal	table tops quantity	
W	N	C	B	P	4	4	N	N	N	N	30° both side rounded	4
W	N	C	X	P	4	1	N	N	N	N	120° with intercut (800mm)	2

W	N	C	N	O	2	Required quantity of leg sets for order:	7
---	---	---	---	---	---	--	---

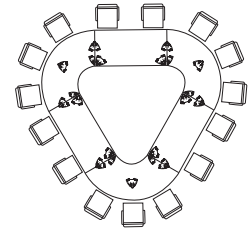
Price for the whole arrangement (tables + legs):			
--	--	--	--

# Proposals of arrangements – recessed legs

## Proposal no. 9

Conference table for 15 people  
Arrangement dimensions (without chairs): 4000 × 3786 mm

Laminate +6	Veneer +4	Veneer +5
-------------	-----------	-----------



										dimensions proposal	table tops quantity				
W	N	C	R	P	1	0	N	N	N	N	1600 × 800 mm	3			
W	N	C	X	P	4	1	N	N	N	N	120° with intercut (800mm)	3			

W	N	C	N	0	1	Required quantity of legs for order:	15
---	---	---	---	---	---	--------------------------------------	----

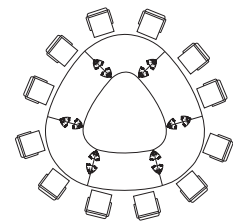
Price for the whole arrangement (tables + legs):			
--	--	--	--

All prices for the sample arrangement (table tops + legs) do not include additional elements, such as cable wire trunking, electrical ports, and costs of the seats.

## Proposal no. 10

Conference table for 12 people  
Arrangement dimensions (without chairs): 3384 × 3316 mm

Laminate +6	Veneer +4	Veneer +5
-------------	-----------	-----------



										dimensions proposal	table tops quantity				
W	N	C	I	P	4	1	N	N	N	N	90° with intercut (800mm)	3			
W	N	C	B	P	4	4	N	N	N	N	30° both side rounded	3			

W	N	C	N	0	2	Required quantity of leg sets for order:	6
---	---	---	---	---	---	--	---

Price for the whole arrangement (tables + legs):			
--	--	--	--

## Proposal no. 11

Conference table for 16 people

Arrangement dimensions (without chairs): 4800 × 3200 mm

Laminate +6	Veneer +4	Veneer +5

										dimensions proposal	table tops quantity	
W	N	C	R	P	1	0	N	N	N	N	1600 × 800 mm	6
W	N	C	O	P	4	1	N	N	L	N	90° 1/4 circle (800 mm)	2
W	N	C	O	P	4	1	N	N	R	N	90° 1/4 circle (800 mm)	2

W	N	C	N	0	2	Required quantity of leg sets for order:	10
---	---	---	---	---	---	--	----

Price for the whole arrangement (tables + legs):			
--	--	--	--

All prices for the sample arrangement (table tops + legs) do not include additional elements, such as cable wire trunking, electrical ports, and costs of the seats.



# Flib

## TABLE OF CONTENTS

<b>Technical description</b>	<b>297</b>
Description	298
Desk top shapes	298
Table bases	298
<b>Price list</b>	<b>299</b>
Mobile conference table system	300
Conference table system	301

# Technical

**description**

# Description

## 1. Description

The Flib family of mobile, folding conference tables consists of tables available in 5 different shapes, as well as 2 table tops serving as connectors for 90 degree angles. The quick enlargement of conference space is possible thanks to the combination of rectangular and oval table tops. All the tables are built on a moveable base in an ALU or chrome version, with 4 castors (65 mm).

Two of these castors are equipped with a brake. Mounted on this construction is a melaminated on both sides flip top, 25 mm thick, which can be folded up to enable effective storage of the tables. Tables available also on glides.

Flib tables can be easily mounted together by using special plastic connectors. In order to facilitate the joining of tables with the help of

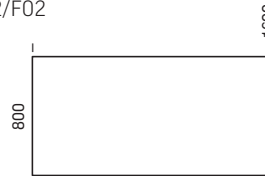
connectors, four additional metal elements are located on their surface, making it easy to fit the table top edges together. It is simple and intuitive to connect the system's elements, and depending on your needs, this solution enables the creation of any table layout.

## 2. Desk top shapes

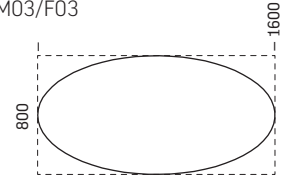
Flib M01/F01



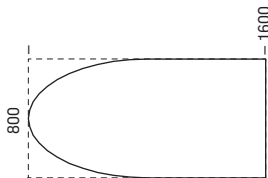
Flib M02/F02



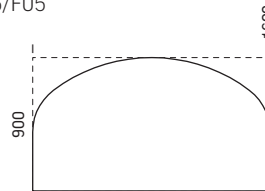
Flib M03/F03



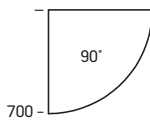
Flib M04/F04



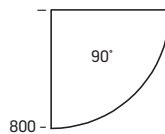
Flib M05/F05



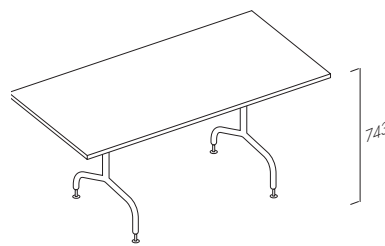
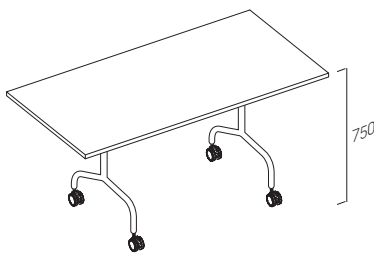
Flib F06



Flib F07



## 3. Table bases



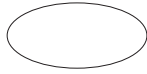






# Price list

# Mobile conference table system

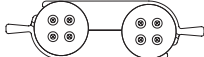
Mobile conference table system with folding table tops, height 750 mm

			Melamine + 1	
			AL Frame	CR Frame
dimensions			top 25 mm	
<b>W S F M O 1</b>	1500 × 700 mm		243	275
<b>W S F M O 2</b>	1600 × 800 mm		247	279
<b>W S F M O 3</b>	1600 × 800 mm		271	303
<b>W S F M O 4</b>	1600 × 800 mm		272	304
<b>W S F M O 5</b>	1600 × 900 mm		274	307






Linking units 90 deg.

<b>W S F F O 6</b>	700 × 700 mm		109
<b>W S F F O 7</b>	800 × 800 mm		111

Plastic connectors for table tops (2 pcs.)

<b>W S F A U X O 1</b>		19
------------------------	---	----

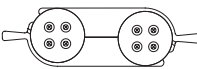
Conference table system, tables on glides, folding table tops, height 743 mm

			Melamine + 1	
			AL Frame	CR Frame
dimensions			top 25mm	
<b>W S F</b>	<b>F O 1</b>	1500 × 700 mm 	254	287
<b>W S F</b>	<b>F O 2</b>	1600 × 800 mm 	258	291
<b>W S F</b>	<b>F O 3</b>	1600 × 800 mm 	281	314
<b>W S F</b>	<b>F O 4</b>	1600 × 800 mm 	284	316
<b>W S F</b>	<b>F O 5</b>	1600 × 900 mm 	286	318

Linking units 90 deg.

<b>W S F</b>	<b>F O 6</b>	700 × 700 mm 	109
<b>W S F</b>	<b>F O 7</b>	800 × 800 mm 	111

Plastic connectors for table tops (2 pcs.)

<b>W S F</b>	<b>A U X 0 1</b>		19
--------------	------------------	---	----



# eRange

## TABLE OF CONTENTS

<b>Technical description</b>	<b>305</b>
Desk	306
Desk shapes	306
Conference tables	307
Conference tables shapes	307
Coffee table	308
Hinged door cabinets	308
Glass door cabinets	309
Open-shelf cabinets	309
Mobile pedestals	310
Mobile sideboard	311
<b>Price list</b>	<b>313</b>
Desks	314-324
Conference tables	325-326
Coffee tables	327
Panels	328
Pedestals	329
Sideboards	330
Cabinets	331-338
Electrical ports	339

# Technical

**description**

# Description

## 1. Desk

The desk and slab end tops consist of a carcass made of 72 mm high lacquered medium density fibreboard and a 13 mm thick veneered top. The veneered top is attached to the body of the desk with detachable clips so that it can easily be removed and reassembled.

The desktop is attached to the legs and frame on a 90° angle. The corners of both the desktop and the legs are rounded to a 50 mm radius. Inside the carcass of the desk top is an extremely strong metal frame that is joined to the metal structure of the desk's legs. The metal frame is fitted in such a way where it is visible from

beneath the desktop but not at all when looking around the legs. 30 mm diameter metal glides sit beneath the slab end legs to allow levelling.

The metal structure inside the desk consist of two length way profiles measuring 50 × 25 × 2 mm and four crossing struts at 50 × 50 × 2 mm – the leg frames are attached to these by means of a two Ø 30 × 2 mm pipes which make up part of the bridge. The bridge consists of a horizontal beam in which Ø 30 mm aluminium regulators of vertical beams made of 50 × 50 mm profile are screwed and two horizontal tubes attaching the

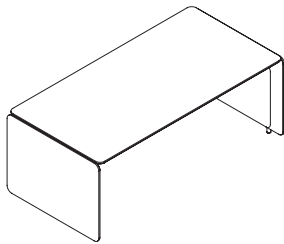
leg to the desk. All of the individual elements of the frame and bridge are welded together. The leg is connected to the top with clamps located inside the frame, these are locked with screws from the bottom side of the top's carcass through holes into the frame.

Once the complete desk is assembled the frame and bridge are not visible at all.

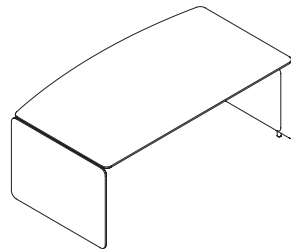
The structure of the desk makes it possible to run cabling throughout the inside of both the top and legs – these will be completely hidden. On the inside, bottom of each leg's carcass is an unstopped outlet for cables.

### 1.1 Desk shapes

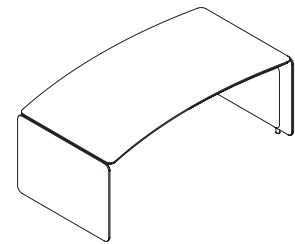
The eRange system offers desktops in three shapes:



Rectangular



With rounded back edge

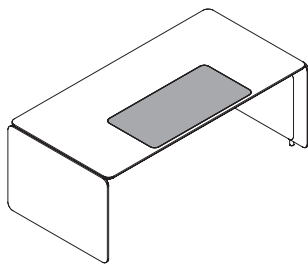


Rounded on both sides

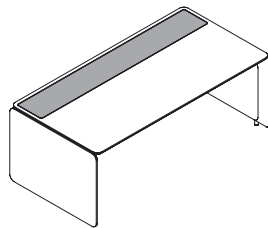
Optionally, the rectangular and back edge rounded desks can have two drawers in the top, sized 350 × 250 × 40 mm (width × depth × height) connected by a shared 915 mm wide front. The front and back side of the drawers are made of lacquered medium density fibreboard and upholstered with black SD leather. The front of the drawer sits flush with the carcass of the desk. The rectangular and back edge rounded desks can have an optional leather insert (black SD

leather) sized 996 × 496 mm in the top with the corners rounded at a 46 mm radius.

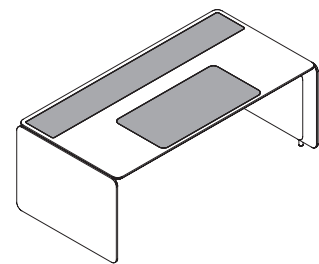
The rectangular desk can also have a 4 mm thick lacquered hardened glass insert on the visitor's side of the top. The glass insert has rounded corners at a 15 mm radius, depth 280 mm. The distance between the edge of the desktop and the glass insert is 35 mm.



Top with a leather insert



Top with a glass insert



Top with a leather and glass inserts

Optionally the desk can be integrated with a fixed sideboard, in which case it only has one slab end leg.

A sideboard integrated desk is connected to the sideboard with a metal beam mounted to the bottom of the desk and the carcass of the sideboard. The beam is covered with a lacquered medium density fibreboard casing sized 700 × 170 × 88 mm (length × width × height), the casing is rounded off at the corners at a 50 mm radius.

The fixed sideboards are available in four types:

- 4 hinged doors,
- 3 hinged doors and 3 drawers with a built in pencil drawer,
- 5 hinged doors,
- 4 hinged doors and 3 drawers with a built in pencil drawer.

Carcass, fronts and shelves are made of 19 mm thick veneered board, bottom panels, top panels and the cover are made of 13 mm thick veneered board. Insides of drawers are made of MS slate coloured melamine.

The pencil drawer is made of lacquered MDF, the pencil drawer bottom is upholstered with black SD leather.

The fixed sideboard's dimensions are 1583 × 577 × 450 mm (width × height × depth).



The sideboard's carcass is set on a lacquered 38 mm high plinth made of MDF, bevelled at a 45° angle.

The plinth has two metal beams with six levelling glides screwed in.

The edges of the front and back of the sideboard are rounded off at a 50 mm radius. Insides of sideboard drawers are made of MS slate coloured melamine, slides are invisible, mounted under the drawer.

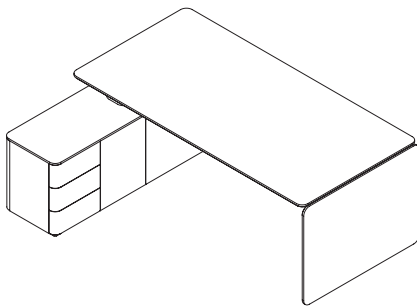
Behind the front of the top drawer there is a pencil drawer made of lacquered MDF and the bottom is upholstered with black SD leather.

As standard the sideboards come without a lock. Optionally they can be fitted with a lock with two folding keys. Fronts of sideboards have no handles and are opened with a smooth push-to-open mechanism.

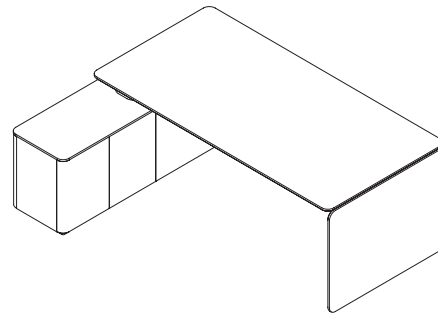
In the part of the sideboard located under the desk the 2 doors are opened on the outer side of the desk. There are two strengthening metal beams below the top panel.

Optionally, a 160 × 80 mm outlet made of aluminium can be fitted in the desktop or an electricity outlet mounted to the bottom of desk carcass.

A small desk 1200 × 600 is also available, structured similarly to the 1000 mm deep desk. Desk carcasses made of MDF are available in RAL colours as per the current offer. Desk and leg coverings are available in group + 4 (closed pore lacquered) and + 5 (open pore lacquered) veneer. Leg coverings are veneered on both sides and desk covering is veneered on one side, and covered with anti-tension paper on the bottom side.



Sideboard  
3 drawers + 3 × hinged door / 3 drawers + 4 × hinged door



Sideboard  
4 × hinged door / 5 × hinged door

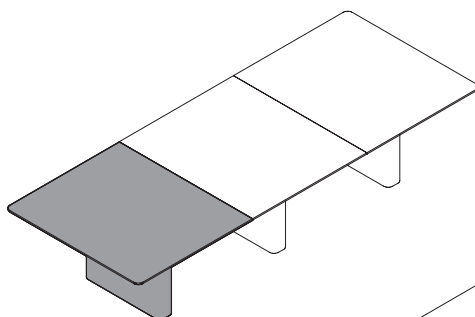
## 2. Conference tables

Conference table tops consist of carcass made of 72 mm high lacquered medium density fibreboard and 13 mm thick veneered top. Top corners are rounded off at a 50 mm radius.

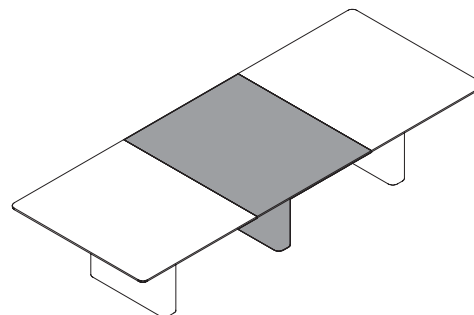
The veneered top is attached to the carcass with detachable bolts so that it can be removed and reassembled easily.

### 2.1 Conference tables shapes

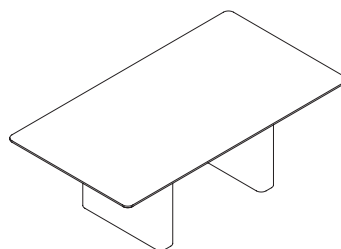
Conference tables are available in three types (the internal and external units can be used to link conference tables into sets of theoretically an unlimited length):



External unit, rounded off on one side  
(1200 × 1400 mm, length × width)



Internal unit  
(1200 × 1400 mm, length × width)



Free-standing table  
(2200 × 1200 mm, length × width)

# Description

Conference tables have two column legs (free-standing table) or one centrally located column leg (external and internal units). Inside the carcass of the top there is a metal structure to which four (for the 2200 x 1200 mm table) or two (for units) legs with regulators are attached. The metal structure is connected with the table carcass in a way that is visible from the bottom of the table top. Metal legs are covered with a lacquered MDF casing. Dimensions of the casing are: 600 x 150 x 655 mm in a 2200 x 1200 mm table, and 800 x 150 x 655 mm in the unit tables.

The structure of the conference table makes it possible to run cabling between units and lets it out from table height unit or through a column leg so that cables are hidden. Units of the table are linked together with two linking units with d=30 mm, attached to the carcass with clamps which are located inside the carcass; the clamps are locked with screws through holes in top carcass. The table can be levelled with a flat wrench which is inserted in a 15 mm gap between the casing and the ground. Optionally, media ports can be installed in conference tables.

Table top coverings are available in group + 4 (closed pore lacquered) and + 5 (open pore lacquered) veneer. Table top coverings are veneered on one side and covered with anti-tension paper on the bottom side. Carcasses of conference tables and column legs are made of lacquered MDF in RAL colours from the current offer.

### 3. Coffee table

The top of the coffee table consists of carcass made of 38 mm high lacquered medium density fibreboard and 13 mm thick veneered top. The veneered top is attached to the carcass with detachable bolts so that it can be removed and

reassembled. Top and leg corners are rounded off at a 50 mm radius. The coffee table has two column legs with dimensions of 400 x 130 x 395 mm. Table dimensions are 1200 x 600 x 450 mm (width x depth x height).

The column legs are connected with the top via cams, the table has no metal structure.

### 4. Hinged door cabinets

#### Dimensions:

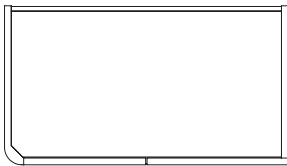
- height 2 or 3OH,
- width 400 or 800 mm,
- depth 450 mm.

The cabinet is made of veneered fine chipboard. Carcass, shelves and front are made of 19 mm thick veneered board, while bottom and top panels, the cover and the back are made of 13 mm veneered board.

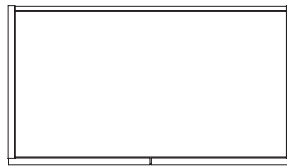
The cabinet's carcass is set on a lacquered 38 mm high plinth made of MDF, bevelled at a 45° angle:

- in cabinets rounded off on one side - on cabinet front and side,
- in inner cabinets - on cabinet front,
- in free-standing cabinets - on cabinet front and sides.

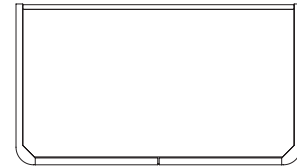
The plinth has four height regulators which can be levelled from the inside. All cabinets in the price list are available without lids, which are listed as a separate item that can be ordered for a particular set of cabinets (or a free-standing cabinet). Since cabinets can be put together in various configurations the following types of hinged door cabinets are available:



Outer cabinets - with front curved on one side



Inner cabinets - with straight fronts



Free-standing cabinets - with fronts curved on both sides

One edge of an outer cabinets as well as two edges of free standing cabinets are curved at a 50 mm radius. An inner cabinet has a flat edge so that it may stand between two outer cabinets. A free standing cabinet or a set of cabinets with cabinets with one edge rounded on both sides have a lid curved at a 50 mm radius on each corner.

As standard the hinged door cabinets come without a lock. Optionally cabinets can be fitted with an Ojmar single-point lock with two folding keys. Fronts of cabinets have no handles and are opened with a smooth push-to-open mechanism.

## 5. Glass door cabinets

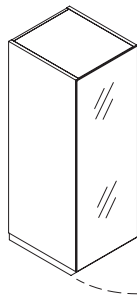
### Dimensions:

- height 2 or 3 OH,
- width 400 or 800 mm,
- depth 450 mm.

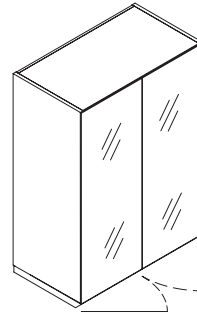
Cabinet front is made of 6 mm thick hardened glass lacquered inside with a RAL colour from the offer.

Hinges are attached to front insides with adhesive. Glass cabinets are available only as an inner model with straight fronts and they can be used to put together sets of cabinets ending with hard door cabinets rounded off on one side.

Glass cabinets have no locks. Glass door cabinets have no handles; push-to-open mechanism is in place.



Glass door cabinet 400 mm internal unit



Glass door cabinet 800 mm internal unit

## 6. Open-shelf cabinets

### Dimensions:

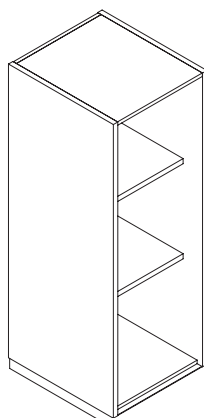
- height 2 or 3 OH,
- width 400 or 800 mm,
- depth 450 mm.

Open-shelf cabinets are available only as an inner model and they can be used to put together sets of cabinets ending with hinged door cabinets rounded off on one side.

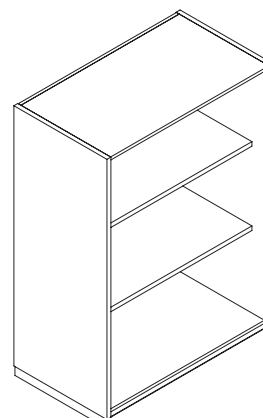
Chipboard door cabinets and glass door cabinets are available in two types of finish: wholly covered with group + 4 (closed pore lacquered) and + 5 (open pore lacquered) or veneer in a combination: veneer + 4 or + 5 with MS coloured melamine, where bottom and top panels, shelves and back of cabinet are made of melamine. All surfaces of the furniture are veneered on both sides. Components that are partly hidden are an

exception - the invisible surfaces (bottom and top panels) are covered with anti-tension paper. Cabinet plinths made of MDF are available in RAL colours as per the current offer.

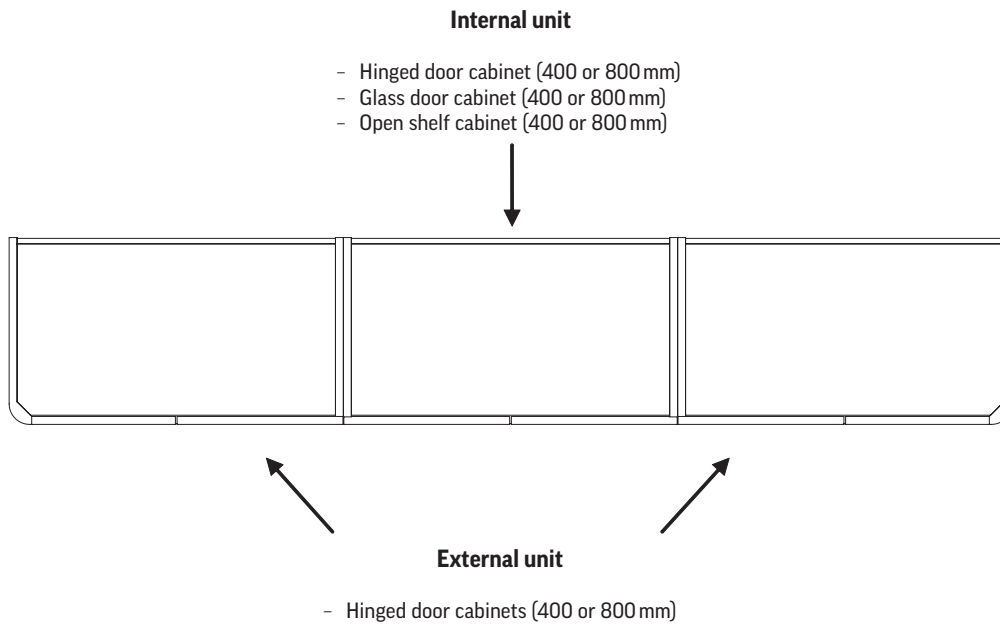
A set of cabinets must end with a hinged door cabinet as this is the only cabinet with a curved front model. Sets are put together with cabinets of the same height.



Open shelf cabinet 400 mm inner unit



Open shelf cabinet 800 mm inner unit



**One set of cabinets linked with a common top may not be wider than 2400 mm.**

## 7. Mobile pedestals

Carcass and fronts of pedestal are made of 19 mm thick veneered fine chipboard. Bottom and top panels and insides of drawers are made of MS slate coloured melamine. The lid is made of 13 mm veneered chipboard.

Pedestals are available only in a mobile version, dimensions 410 × 643 × 600 mm (width × height × depth).

The pedestal's carcass is set on a lacquered 38 mm high plinth made of MDF, bevelled at a 45° angle.

The plinth has four castors, the two front castors with brakes. Fronts and back of the pedestal are curved on the sides at a 50 mm radius.

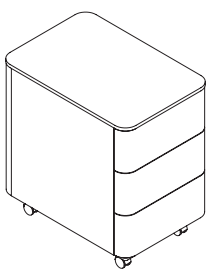
The pedestal is available in configuration:

- 3 drawers and a pencil drawer.

The pencil drawer is located behind the front of the top drawer and is made of lacquered MDF, the bottom is upholstered with black SD leather. Drawer and pencil drawer slides are fully hidden, located underneath drawer bottoms.

As standard the pedestals come without a lock.

Optionally the top drawer can be fitted with a lock with two folding keys. Fronts of pedestals and the pencil drawer have no handles and are opened with a push-to-open mechanism.



3 drawers and a pencil drawer

## 8. Mobile sideboard

Carcass and fronts of the sideboard are made of 19 mm thick veneered fine chipboard. Top and bottom panels are made of 13 mm thick veneered chipboard.

Insides of drawers are made of MS slate coloured melamine. The lid is made of 13 mm veneered chipboard.

The sideboard's carcass is set on a lacquered 38 mm high plinth made of MDF, bevelled at a 45° angle.

The plinth has four castors (for width 800 mm) or five castors for width 1200 mm; two front castors

have brakes. Fronts and back of the sideboard are curved on the sides at a 50 mm radius.

Mobile sideboards are available in the following models:

- width 800 mm with two hinged doors,
- width 1200 mm with two hinged doors and 3 drawers inside the sideboard,
- width 1200 mm with two hinged doors and 2 drawers inside the sideboard.

Drawer and pencil drawer slides are fully hidden, located underneath drawer bottoms.

The high drawer has two side bars linking the

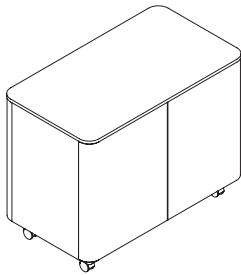
front of the drawer with the back, on which document files can be hung.

As standard the sideboards come without a lock.

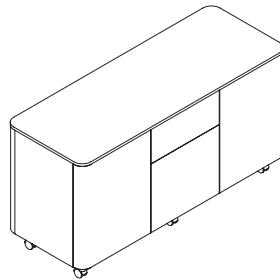
Optionally the top drawer can be fitted with a lock with two folding keys.

Fronts of sideboards have no handles and are opened with a push-to-open mechanism.

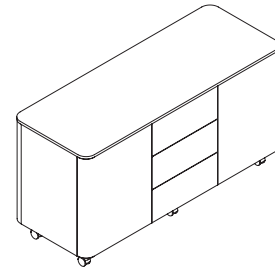
Optionally, a 160 × 80 mm aluminium cable outlet in sideboard top is available.



Width 800 mm with two hinged doors



Width 1200 mm with two hinged doors and 2 drawers inside the sideboard



Width 1200 mm with two hinged doors and 3 drawers inside the sideboard



# Price list

# Desks

Rectangular desks with slab end legs, height 750 mm

- N** Without top inserts
- L** Top insert – leather
- G** Top insert – glass
- X** 2 top inserts – leather + glass

- N** Without outlet for cables
- P** Standard outlet 160×80 mm
- E** Outlet for an electrical port Netbox M4\* 240×100 mm

Veneer + 4			
White, black and grey MDF (FI, FG, FS)			
Without top inserts [N]	Black leather S1	White, black and grey glass (SI, SG, SS)	
		Black leather S1	
	Top insert – leather [L]	Top insert – glass [G]	2 top inserts – leather + glass [X]

										width	depth						
W	N	R	R	N	0	5	N	N	4	N	N						
												1226 mm	600 mm	1872	-	-	-
												1826 mm		2659	2784	2881	3008
												2026 mm	1000 mm	2714	2839	2958	3084
												2226 mm		2835	2961	3101	3225

\*Electrical ports and the prices available on page 339.

Veneer + 5							
White, black and grey MDF (FI, FG, FS)							
Without top inserts [N]	Black leather S1	White, black and grey glass (SI, SG, SS)					
		Black leather S1					
	Top insert – leather [L]	Top insert – glass [G]	2 top inserts – leather + glass [X]				
				2016	-	-	-
				2903	3028	3127	3254
				2969	3094	3213	3339
				3100	3226	3365	3489

W	N	R	R	N	0	5	N	N	4	N	N	width	depth				
												1226 mm	600 mm	2016	-	-	-
												1826 mm		2903	3028	3127	3254
												2026 mm	1000 mm	2969	3094	3213	3339
												2226 mm		3100	3226	3365	3489

- Without outlet/port **N**
- Left outlet/left port **L**
- Right outlet/right port **R**
- Middle electrical port\*\* **M**
- N** Without drawer
- C** Drawer in the top, surcharge 520 EUR

Attention: for desk with a glass top insert only right or Left outlets for an electrical port available



Rectangular desks with slab end legs, to be joined with a sideboard,  
height 750 mm

										Veneer + 4								
										White, black and grey MDF (FI, FG, FS)								
										Without top inserts [N]	Black leather S1	White, black and grey glass (SI, SG, SS)						
											Top insert - leather [L]	Top insert - glass [G]	2 top inserts - leather + glass [X]					
		<b>N</b>	Without top inserts															
		<b>L</b>	Top insert - leather															
		<b>G</b>	Top insert - glass															
		<b>X</b>	2 top inserts - leather + glass															
		<b>N</b>	Without outlet for cables															
		<b>P</b>	Standard outlet 160×80 mm															
		<b>E</b>	Outlet for an electrical port Netbox M4* 240×100 mm															
Desk	W	N	R	R	N	2	8	N	N	4	N	L	width	depth	2365	2498	2625	2758
	W	N	R	R	N	2	9	N	N	4	N	L	2213 mm	1000 mm	2493	2627	2776	2908

Without outlet/port	<b>N</b>		
Left outlet/left port	<b>L</b>		
Right outlet/right port	<b>R</b>	<b>L</b>	To be joined with a left sideboard
Middle electrical port**	<b>M</b>	<b>R</b>	To be joined with a right sideboard
		<b>N</b>	Without drawer
		<b>C</b>	Drawer in the top, surcharge 520 EUR

\*Electrical ports and the prices available on page 339.  
\*\* Attention: for desk with a glass top insert only right or left outlets for an electrical port available

Stationary sideboard to be joined with a desk  
length 1583 mm, height 577 mm

										White, black and grey MDF (FI, FG, FS)							
										Veneer + 4	*Veneer + 4 Melamine + 1						
										<p>Left sideboard on the drawing</p>							
		<b>N</b>	Without outlet in the lower ring beam and base														
		<b>P</b>	Outlet in the lower ring beam and base														
+ Sideboard	W	N	R	S	B	F	V	1	6	N	N	L	N	Z	4 × hinged door	2035	1719
	W	N	R	S	B	F	D	1	6	N	N	L	N	Z	3 × hinged door + 3 × drawer (pencil case in the upper drawer by standards)	2667	2377

Without outlet	<b>N</b>	<b>N</b>	Without lock
Outlet for cables in the plinth base of right side board	<b>L</b>	<b>K</b>	With a lock with 2 folding keys, surcharge 38 EUR
Outlet for cables in the plinth base of left side board	<b>R</b>	<b>L</b>	Left sideboard
	<b>R</b>	<b>R</b>	Right sideboard

\*Veneered carcass, front and back, melaminated lower and upper ring beams and shelves (MS colour)

# Desks

Rectangular desks with slab end legs, to be joined with a sideboard, height 750 mm

<b>N</b>	Without top inserts
<b>L</b>	Top insert – leather
<b>G</b>	Top insert – glass
<b>X</b>	2 top inserts – leather + glass

<b>N</b>	Without outlet for cables
<b>P</b>	Standard outlet 160×80 mm
<b>E</b>	Outlet for an electrical port Netbox M4* 240×100 mm

Desk										width	depth	Veneer + 4						
										White, black and grey MDF (FI, FG, FS)								
W	N	R	R	N	2	8	N	N	4	N	L	2013 mm	1000 mm	Without top inserts [N]	Black leather S1	White, black and grey glass (SI, SG, SS)		
W	N	R	R	N	2	9	N	N	4	N	L					2625	2758	Top insert – leather [L]
												2213 mm		2498	2627	2776	2908	

Without outlet/port	<b>N</b>																
Left outlet/left port	<b>L</b>																
Right outlet/right port	<b>R</b>										<b>L</b>	To be joined with a left sideboard					
Middle electrical port**	<b>M</b>										<b>R</b>	To be joined with a right sideboard					

<b>N</b>	Without drawer
<b>C</b>	Drawer in the top, surcharge 520 EUR

\* Electrical ports and the prices available on page 339.  
**\*\* Attention:** for desk with a glass top insert only right or left outlets for an electrical port available

Stationary sideboard to be joined with a desk, length 1975 mm, height 577 mm

+ Sideboard															White, black and grey MDF (FI, FG, FS)		
															Veneer + 4	* Veneer + 4 Melamine + 1	

<b>N</b>	Without outlet in the lower ring beam and base
<b>P</b>	Outlet in the lower ring beam and base

Without outlet	<b>N</b>																
Outlet for cables in the plinth base of right side board	<b>L</b>																
Outlet for cables in the plinth base of left side board	<b>R</b>																

\* Veneered carcass, front and back, melaminated lower and upper ring beams and shelves (MS colour)

Rectangular desks with slab end legs, to be joined with a sideboard, height 750 mm

											Veneer + 5			
											White, black and grey MDF (FI, FG, FS)			
											Without top inserts [N]	Black leather S1 Top insert - leather [L]	White, black and grey glass (SI, SG, SS)	
													Top insert - glass [G]	2 top inserts - leather + glass [X]
											2558	2691	2817	2952
											2695	2830	2979	3111

Desk	W	N	R	R	N	2	8	N	N	4	N	L	width	depth
	W	N	R	R	N	2	9	N	N	4	N	L	2013 mm	1000 mm
	W	N	R	R	N	2	9	N	N	4	N	L	2213 mm	1000 mm

	N	L	R	M	N	C
Without top inserts	N	L	R	M	N	C
Top insert - leather	L	L	R	M	N	C
Top insert - glass	G	L	R	M	N	C
2 top inserts - leather + glass	X	L	R	M	N	C
Without outlet for cables	N	L	R	M	N	C
Standard outlet 160×80 mm	P	L	R	M	N	C
Outlet for an electrical port Netbox M4* 240×100 mm	E	L	R	M	N	C
Without outlet/port	N	L	R	M	N	C
Left outlet/left port	L	L	R	M	N	C
Right outlet/right port	R	L	R	M	N	C
Middle electrical port**	M	L	R	M	N	C
To be joined with a left sideboard	L	L	R	M	N	C
To be joined with a right sideboard	R	L	R	M	N	C
Without drawer	N	L	R	M	N	C
Drawer in the top, surcharge 520 EUR	C	L	R	M	N	C

\*Electrical ports and the prices available on page 339.  
\*\*Attention: for desk with a glass top insert only right or left outlets for an electrical port available

Stationary sideboard to be joined with a desk, length 1583 mm, height 577 mm

														White, black and grey MDF (FI, FG, FS)	
														Veneer + 5	*Veneer + 5 Melamine + 1
														<p>Left sideboard on the drawing</p>	
														2568	2109
														3198	2907

+ Sideboard	W	N	R	S	B	F	V	1	6	N	N	L	N	Z	
	W	N	R	S	B	F	D	1	6	N	N <th>L</th> <th>N</th> <th>Z</th> <td>4 × hinged door</td>	L	N	Z	4 × hinged door
	W	N	R	S	B	F	D	1	6	N	N <th>L</th> <th>N</th> <th>Z</th> <td>3 × hinged door + 3 × drawer (pencil case in the upper drawer by standards)</td>	L	N	Z	3 × hinged door + 3 × drawer (pencil case in the upper drawer by standards)

	N	L	R	N	K	L	R
Without outlet in the lower ring beam and base	N	L <th>R</th> <th>N</th> <th>K</th> <th>L</th> <th>R</th>	R	N	K	L	R
Outlet in the lower ring beam and base	P	L <th>R</th> <th>N</th> <th>K</th> <th>L</th> <th>R</th>	R	N	K	L	R
Without outlet	N	L <th>R</th> <th>N</th> <th>K</th> <th>L</th> <th>R</th>	R	N	K	L	R
Outlet for cables in the plinth base of right side board	L	L <th>R</th> <th>N</th> <th>K</th> <th>L</th> <th>R</th>	R	N	K	L	R
Outlet for cables in the plinth base of left side board	R	L <th>R</th> <th>N</th> <th>K</th> <th>L</th> <th>R</th>	R	N	K	L	R
Without lock	N	L <th>R</th> <th>N</th> <th>K</th> <th>L</th> <th>R</th>	R	N	K	L	R
With a lock with 2 folding keys, surcharge 38 EUR	K	L <th>R</th> <th>N</th> <th>K</th> <th>L</th> <th>R</th>	R	N	K	L	R
Left sideboard	L	L <th>R</th> <th>N</th> <th>K</th> <th>L</th> <th>R</th>	R	N	K	L	R
Right sideboard	R	L <th>R</th> <th>N</th> <th>K</th> <th>L</th> <th>R</th>	R	N	K	L	R

\*Veneered carcass, front and back, melaminated lower and upper ring beams and shelves (MS colour)

# Desks

Rectangular desks with slab end legs, to be joined with a sideboard, height 750 mm

<b>N</b>	Without top inserts
<b>L</b>	Top insert – leather
<b>G</b>	Top insert – glass
<b>X</b>	2 top inserts – leather + glass

<b>N</b>	Without outlet for cables
<b>P</b>	Standard outlet 160×80 mm
<b>E</b>	Outlet for an electrical port Netbox M4* 240×100 mm

Desk		width	depth	Veneer + 5											
				White, black and grey MDF (FI, FG, FS)											
W	N	R	R	N	2	8	N	N	4	N	L	2558	2691	White, black and grey glass (SI, SG, SS)	
														Black leather S1	
												Black leather S1			
												Top insert – leather [L]		Top insert – glass [G]	
												2 top inserts – leather + glass [X]			

Without outlet/port	<b>N</b>	
Left outlet/left port	<b>L</b>	
Right outlet/right port	<b>R</b>	<b>L</b>
Middle electrical port**	<b>M</b>	<b>R</b>

**L** To be joined with a left sideboard  
**R** To be joined with a right sideboard

**N** Without drawer  
**C** Drawer in the top, surcharge 520 EUR

\* Electrical ports and the prices available on page 339.  
\*\* Attention: for desk with a glass top insert only right or left outlets for an electrical port available

Stationary sideboard to be joined with a desk, length 1975 mm, height 577 mm

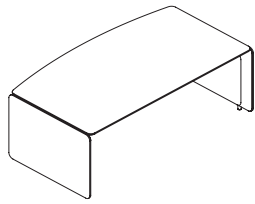
										White, black and grey MDF (FI, FG, FS)						
										Veneer + 5						
										* Veneer + 5 Melamine + 1						
<p>Left sideboard on the drawing</p>																
W	N	R	S	B	F	V	2	0	N	N	L	N	Z	5 × hinged door	3182	2676
W	N	R	S	B	F	D	2	0	N	N	L	N	Z	4 × hinged door + 3 × drawer (pencil case in the upper drawer by standards)	3996	3446

Without outlet	<b>N</b>	<b>N</b>	Without lock
Outlet for cables in the plinth base of right side board	<b>L</b>	<b>K</b>	With a lock with 2 folding keys, surcharge 38 EUR
Outlet for cables in the plinth base of left side board	<b>R</b>	<b>L</b>	Left sideboard
	<b>R</b>	<b>R</b>	Right sideboard

\* Veneered carcass, front and back, melaminated lower and upper ring beams and shelves (MS colour)

Back-rounded desks with slab end legs,  
height 750 mm

											<b>Veneer + 4</b>		
											<b>White, black and grey MDF (FI, FG, FS)</b>		
											<b>Black leather S1</b>		
											<b>Without top inserts [N]</b>	<b>Top insert - leather [L]</b>	
													
<b>N</b>	Without top inserts												
<b>L</b>	Top insert - leather												
											<b>Veneer + 5</b>		
											<b>White, black and grey MDF (FI, FG, FS)</b>		
											<b>Black leather S1</b>		
											<b>Without top inserts [N]</b>	<b>Top insert - leather [L]</b>	
<b>N</b>	Without outlet for cables										<b>width</b> 1826 mm 2026 mm 2226 mm	<b>depth</b> 1000/1100 mm	
<b>P</b>	Standard outlet 160×80 mm												
<b>E</b>	Outlet for an electrical port Netbox M4* 240×100 mm												
<b>W</b>	<b>N</b>	<b>R</b>	<b>U</b>	<b>N</b>	<b>2</b>	<b>7</b>	<b>N</b>	<b>N</b>	<b>4</b>	<b>N</b>	<b>N</b>	2880	3009
<b>W</b>	<b>N</b>	<b>R</b>	<b>U</b>	<b>N</b>	<b>2</b>	<b>8</b>	<b>N</b>	<b>N</b>	<b>4</b>	<b>N</b>	<b>N</b>	2943	3071
<b>W</b>	<b>N</b>	<b>R</b>	<b>U</b>	<b>N</b>	<b>2</b>	<b>9</b>	<b>N</b>	<b>N</b>	<b>4</b>	<b>N</b>	<b>N</b>	3039	3169
<b>W</b>	<b>N</b>	<b>R</b>	<b>U</b>	<b>N</b>	<b>2</b>	<b>7</b>	<b>N</b>	<b>N</b>	<b>4</b>	<b>N</b>	<b>N</b>	3145	3274
<b>W</b>	<b>N</b>	<b>R</b>	<b>U</b>	<b>N</b>	<b>2</b>	<b>8</b>	<b>N</b>	<b>N</b>	<b>4</b>	<b>N</b>	<b>N</b>	3218	3347
<b>W</b>	<b>N</b>	<b>R</b>	<b>U</b>	<b>N</b>	<b>2</b>	<b>9</b>	<b>N</b>	<b>N</b>	<b>4</b>	<b>N</b>	<b>N</b>	3324	3454
												* Electrical ports and the prices available on page 339.	
												Without outlet/port	
												Left outlet/left port	
												Right outlet/right port	
												Middle electrical port**	
												Without drawer	
												Drawer in the top, surcharge 520 EUR	

# Desks

Back-rounded desks with a slab end leg, to be joined with a sideboard, height 750 mm

											Veneer + 4	
											White, black and grey MDF (FI, FG, FS)	
											Black leather S1	
											Without top inserts [N]	Top insert - leather [L]
											2449	2569
											2581	2702

Desk	W	N	R	U	N	2	8	N	N	4	N	L	width	depth
													2013mm	1000/1100mm
													2213mm	

	N	L	P	E
	Without top inserts	Top insert - leather	Without outlet for cables	Standard outlet 160×80mm
				Outlet for an electrical port Netbox M4* 240×100 mm

	N	L	R	M
Without outlet/port				
Left outlet/left port				
Right outlet/right port				
Middle electrical port				

	N	L	R	N	C
	To be joined with a left sideboard			Without drawer	
				Drawer in the top, surcharge 520 EUR	

\*Electrical ports and the prices available on page 339.

Stationary sideboard to be joined with a desk, length 1583 mm, height 577 mm

											White, black and grey MDF (FI, FG, FS)	
											Veneer + 4	*Veneer + 4 Melamine + 1
											<p>Left sideboard on the drawing</p>	
											2035	2109
											2667	2377

+ Sideboard	W	N	R	S	B	F	V	1	6	N	N	L	N	Z

	N	L	R	N	K
Without outlet in the lower ring beam and base					
Outlet in the lower ring beam and base					

	N	L	R	N	K
Without outlet					
Outlet for cables in the plinth base of right side board					
Outlet for cables in the plinth base of left side board					

	N	L	R	N	K
	Without lock				
	With a lock with 2 folding keys, surcharge 38 EUR				

	L	R
	Left sideboard	
		Right sideboard

\*Veneered carcass, front and back, melaminated lower and upper ring beams and shelves (MS colour)

Back-rounded desks with a slab end leg, to be joined with a sideboard, height 750 mm

Desk	<b>N</b>	Without top inserts								<b>Veneer + 4</b>						
	<b>L</b>	Top insert – leather								<b>White, black and grey MDF (FI, FG, FS)</b>						
										<b>Black leather S1</b>						
			<b>N</b>	Without outlet for cables												
			<b>P</b>	Standard outlet 160×80 mm							<b>Without top inserts [N]</b>	<b>Top insert – leather [L]</b>				
			<b>E</b>	Outlet for an electrical port Netbox M4* 240×100 mm												
	<b>W</b>	<b>N</b>	<b>R</b>	<b>U</b>	<b>N</b>	<b>2</b>	<b>8</b>	<b>N</b>	<b>N</b>	<b>4</b>	<b>N</b>	<b>L</b>	2013 mm	1000/1100 mm	2449	2569
	<b>W</b>	<b>N</b>	<b>R</b>	<b>U</b>	<b>N</b>	<b>2</b>	<b>9</b>	<b>N</b>	<b>N</b>	<b>4</b>	<b>N</b>	<b>L</b>	2213 mm		2581	2702
								<b>N</b>	Without outlet/port							
								<b>L</b>	Left outlet/left port							
								<b>R</b>	Right outlet/right port		<b>L</b>	To be joined with a left sideboard				
								<b>M</b>	Middle electrical port		<b>R</b>	To be joined with a right sideboard				
								<b>N</b>	Without drawer							
								<b>C</b>	Drawer in the top, surcharge 520 EUR							

\*Electrical ports and the prices available on page 339.

Stationary sideboard to be joined with a desk, length 1975 mm, height 577 mm

														<b>White, black and grey MDF (FI, FG, FS)</b>			
														<b>Veneer + 4</b>	<b>*Veneer + 4 Melamine + 1</b>		
														Left sideboard on the drawing			
<b>+ Sideboard</b>																	
	<b>W</b>	<b>N</b>	<b>R</b>	<b>S</b>	<b>B</b>	<b>F</b>	<b>V</b>	<b>2</b>	<b>0</b>	<b>N</b>	<b>N</b>	<b>L</b>	<b>N</b>	<b>Z</b>	5 × hinged door	2524	2136
	<b>W</b>	<b>N</b>	<b>R</b>	<b>S</b>	<b>B</b>	<b>F</b>	<b>D</b>	<b>2</b>	<b>0</b>	<b>N</b>	<b>N</b>	<b>L</b>	<b>N</b>	<b>Z</b>	4 × hinged door + 3 × drawer (pencil case in the upper drawer by standards)	3186	2836
										<b>N</b>	Without outlet in the lower ring beam and base						
										<b>P</b>	Outlet in the lower ring beam and base						
										<b>N</b>	Without lock	<b>N</b>	Without lock				
										<b>L</b>	Outlet for cables in the plinth base of right side board	<b>K</b>	With a lock with 2 folding keys, surcharge 38 EUR				
										<b>R</b>	Outlet for cables in the plinth base of left side board	<b>L</b>	Left sideboard				
										<b>R</b>	Right sideboard	<b>R</b>	Right sideboard				

\*Veneered carcass, front and back, melaminated lower and upper ring beams and shelves (MS colour)

# Desks

Back-rounded desks with a slab end leg, to be joined with a sideboard, height 750 mm

											<b>Veneer + 5</b>	
											<b>White, black and grey MDF (FI, FG, FS)</b>	
											<b>Black leather S1</b>	
											<b>Without top inserts [N]</b>	<b>Top insert - leather [L]</b>
											2837	2967
											2991	3121

<b>Desk</b>	<b>W</b>	<b>N</b>	<b>R</b>	<b>U</b>	<b>N</b>	<b>2</b>	<b>8</b>	<b>N</b>	<b>N</b>	<b>4</b>	<b>N</b>	<b>L</b>	<b>width</b>	<b>depth</b>
													2013 mm	1000/1100 mm
													2213 mm	

Without top inserts	<b>N</b>	Without top inserts
Top insert - leather	<b>L</b>	Top insert - leather
Without outlet for cables	<b>N</b>	Without outlet for cables
Standard outlet 160×80 mm	<b>P</b>	Standard outlet 160×80 mm
Outlet for an electrical port Netbox M4* 240×100 mm	<b>E</b>	Outlet for an electrical port Netbox M4* 240×100 mm
Without outlet/port	<b>N</b>	
Left outlet/left port	<b>L</b>	
Right outlet/right port	<b>R</b>	<b>L</b> To be joined with a left sideboard
Middle electrical port	<b>M</b>	<b>R</b> To be joined with a right sideboard
	<b>N</b>	Without drawer
	<b>C</b>	Drawer in the top, surcharge 520 EUR

\*Electrical ports and the prices available on page 339.

Stationary sideboard to be joined with a desk length 1583 mm, height 577 mm

											<b>White, black and grey MDF (FI, FG, FS)</b>	
											<b>Veneer + 5</b>	<b>*Veneer + 5 Melamine + 1</b>
											<p>Left sideboard on the drawing</p>	
											2568	2109
											3198	2907

<b>+ Sideboard</b>	<b>W</b>	<b>N</b>	<b>R</b>	<b>S</b>	<b>B</b>	<b>F</b>	<b>V</b>	<b>1</b>	<b>6</b>	<b>N</b>	<b>N</b>	<b>L</b>	<b>N</b>	<b>Z</b>	<b>width</b>	<b>depth</b>
															4 × hinged door	
															3 × hinged door + 3 × drawer (pencil case in the upper drawer by standards)	

Without outlet in the lower ring beam and base	<b>N</b>	
Outlet in the lower ring beam and base	<b>P</b>	
Without outlet	<b>N</b>	<b>N</b> Without lock
Outlet for cables in the plinth base of right side board	<b>L</b>	<b>K</b> With a lock with 2 folding keys, surcharge 38 EUR
Outlet for cables in the plinth base of left side board	<b>R</b>	<b>L</b> Left sideboard
		<b>R</b> Right sideboard

\*Veneered carcass, front and back, melaminated lower and upper ring beams and shelves (MS colour)



Back-rounded desks with a slab end leg, to be joined with a sideboard, height 750 mm

		<b>N</b>	Without top inserts			<b>Veneer + 5</b>	
		<b>L</b>	Top insert – leather			<b>White, black and grey MDF (FI, FG, FS)</b>	
							<b>Black leather S1</b>
						<b>Without top inserts [N]</b>	<b>Top insert – leather [L]</b>
		<b>N</b>	Without outlet for cables				
		<b>P</b>	Standard outlet 160×80mm				
		<b>E</b>	Outlet for an electrical port <b>Netbox M4*</b> 240×100mm				
<b>Desk</b>				<b>width</b>	<b>depth</b>		
<b>W N R U N 2 8 N N 4 N L</b>				2013 mm	1000/1100 mm	2837	2967
<b>W N R U N 2 9 N N 4 N L</b>				2213 mm		2991	3121
		<b>N</b>	Without outlet/port				
		<b>L</b>	Left outlet/left port				
		<b>R</b>	Right outlet/right port				
		<b>M</b>	Middle electrical port				
		<b>L</b>					To be joined with a left sideboard
		<b>R</b>					To be joined with a right sideboard
		<b>N</b>	Without drawer				
		<b>C</b>	Drawer in the top, surcharge 520 EUR				

\*Electrical ports and the prices available on page 339.

Stationary sideboard to be joined with a desk, length 1975 mm, height 577 mm

						<b>White, black and grey MDF (FI, FG, FS)</b>	
						<b>Veneer + 5</b>	<b>*Veneer + 5 Melamine + 1</b>
						<p>Left sideboard on the drawing</p>	
		<b>N</b>	Without outlet in the lower ring beam and base				
		<b>P</b>	Outlet in the lower ring beam and base				
<b>+ Sideboard</b>							
<b>W N R S B F V 2 0 N N L N Z</b>				5 × hinged door		3182	2676
<b>W N R S B F D 2 0 N N L N Z</b>				4 × hinged door + 3 × drawer (pencil case in the upper drawer by standards)		3996	3446
		<b>N</b>	Without outlet				
		<b>L</b>	Outlet for cables in the plinth base of right side board				
		<b>R</b>	Outlet for cables in the plinth base of left side board				
		<b>N</b>					Without lock
		<b>K</b>					With a lock with 2 folding keys, surcharge 38 EUR
		<b>L</b>					Left sideboard
		<b>R</b>					Right sideboard

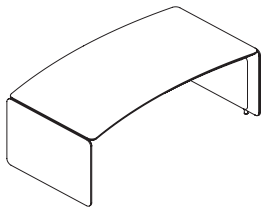
\*Veneered carcass, front and back, melaminized lower and upper ring beams and shelves (MS colour)

# Desks

Desks rounded on both sides with slab end legs, height 750 mm

- N** Without outlet for cables
- P** Standard outlet 160×80 mm
- E** Outlet for an electrical port Netbox M4\* 240×100 mm

											width	depth	
<b>W</b>	<b>N</b>	<b>R</b>	<b>B</b>	<b>N</b>	<b>2</b>	<b>7</b>	<b>N</b>	<b>N</b>	<b>4</b>	<b>N</b>	<b>N</b>	1826 mm	
<b>W</b>	<b>N</b>	<b>R</b>	<b>B</b>	<b>N</b>	<b>2</b>	<b>8</b>	<b>N</b>	<b>N</b>	<b>4</b>	<b>N</b>	<b>N</b>	2026 mm	1000/1100 mm
<b>W</b>	<b>N</b>	<b>R</b>	<b>B</b>	<b>N</b>	<b>2</b>	<b>9</b>	<b>N</b>	<b>N</b>	<b>4</b>	<b>N</b>	<b>N</b>	2226 mm	

Veneer + 4
White, black and grey MDF (FI, FG, FS)
Without top inserts

2823
2880
3054

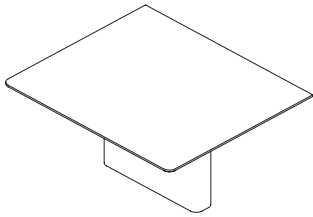
<b>W</b>	<b>N</b>	<b>R</b>	<b>B</b>	<b>N</b>	<b>2</b>	<b>7</b>	<b>N</b>	<b>N</b>	<b>4</b>	<b>N</b>	<b>N</b>	1826 mm	
<b>W</b>	<b>N</b>	<b>R</b>	<b>B</b>	<b>N</b>	<b>2</b>	<b>8</b>	<b>N</b>	<b>N</b>	<b>4</b>	<b>N</b>	<b>N</b>	2026 mm	1000/1100 mm
<b>W</b>	<b>N</b>	<b>R</b>	<b>B</b>	<b>N</b>	<b>2</b>	<b>9</b>	<b>N</b>	<b>N</b>	<b>4</b>	<b>N</b>	<b>N</b>	2226 mm	

Veneer + 5
White, black and grey MDF (FI, FG, FS)
Without top inserts
3085
3153
3338

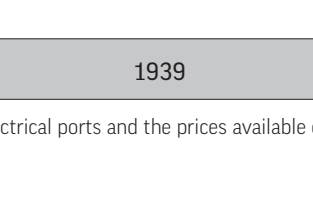
- Without outlet/port **N**
- Left outlet/left port **L**
- Right outlet/right port **R**
- Middle electrical port **M**

\*Electrical ports and the prices available on page 339.

External modular unit 1200 × 1400 mm (length × width), height 750 mm

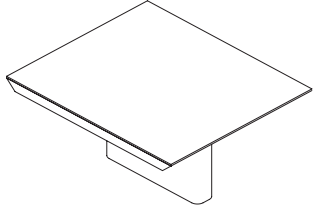
W	N	R	K	B	N	N	dimensions: 1200 × 1400 mm*	Veneer + 4
								White, black and grey MDF (FI, FG, FS)
								
								1827

\* Instruction for putting up tables out of modular units on page 307.

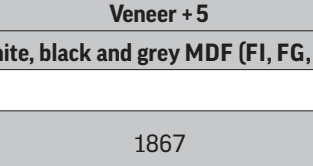
W	N	R	K	B	N	N	dimensions: 1200 × 1400 mm*	Veneer + 5
								White, black and grey MDF (FI, FG, FS)
								
								1939

\* Electrical ports and the prices available on page 339.

Internal modular unit 1200 × 1400 mm (length × width)

W	N	R	K	C	N	N	Dimensions: 1200 × 1400 mm*	Veneer + 4
								White, black and grey MDF (FI, FG, FS)
								
								1752

\* Instruction for putting up tables out of modular units on page 307.

W	N	R	K	C	N	N	Dimensions: 1200 × 1400 mm*	Veneer + 5
								White, black and grey MDF (FI, FG, FS)
								
								1867

\* Electrical ports and the prices available on page 339.

# Conference tables

Freestanding conference table 2200 × 1200 mm, height 750 mm

										<b>Veneer + 4</b>	
										<b>White, black and grey MDF (FI, FG, FS)</b>	
<b>W</b>	<b>N</b>	<b>R</b>	<b>K</b>	<b>A</b>	<b>N</b>	<b>N</b>	dimensions: 2200 × 1200 mm			2814	

- N** No electrical port
- E** Outlet for an electrical port **Netbox Line** 327×84 mm

\*Electrical ports and the prices available on page 339.

- N** Without outlet
- L** Left outlet
- M** Middle outlet
- D** Left and right outlets

										<b>Veneer + 4</b>	
										<b>White, black and grey MDF (FI, FG, FS)</b>	
<b>W</b>	<b>N</b>	<b>R</b>	<b>K</b>	<b>A</b>	<b>N</b>	<b>N</b>	dimensions: 2200 × 1200 mm			2814	

- N** Without electrical port
- V** Round outlet for an electrical port, **Evoline**

\*Electrical ports and the prices available on page 339.

- N** Without outlet
- L** Left outlet
- D** Left and right outlets

										<b>Veneer + 5</b>	
										<b>White, black and grey MDF (FI, FG, FS)</b>	
<b>W</b>	<b>N</b>	<b>R</b>	<b>K</b>	<b>A</b>	<b>N</b>	<b>N</b>	dimensions: 2200 × 1200 mm			2985	

- N** No electrical port
- E** Outlet for an electrical port **Netbox Line** 327×84 mm

\*Electrical ports and the prices available on page 339.

- N** Without outlet
- L** Left outlet
- M** Middle outlet
- D** Left and right outlets

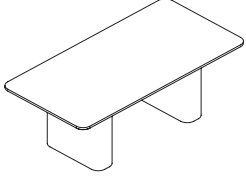
										<b>Veneer + 5</b>	
										<b>White, black and grey MDF (FI, FG, FS)</b>	
<b>W</b>	<b>N</b>	<b>R</b>	<b>K</b>	<b>A</b>	<b>N</b>	<b>N</b>	dimensions: 2200 × 1200 mm			2985	

- N** Without electrical port
- V** Round outlet for an electrical port, **Evoline**

\*Electrical ports and the prices available on page 339.

- N** Without outlet
- L** Left outlet
- D** Left and right outlets

Rectangular coffee table 1200 × 600 mm,  
height 450 mm

<b>Veneer + 4</b>	
<b>White, black and grey MDF (FI, FG, FS)</b>	
	
856	

<b>W</b>	<b>N</b>	<b>R</b>	<b>M</b>	<b>T</b>	<b>1</b>	<b>2</b>	<b>6</b>	<b>L</b>	dimensions: 1200 × 600 mm
----------	----------	----------	----------	----------	----------	----------	----------	----------	---------------------------

<b>Veneer + 5</b>	
<b>White, black and grey MDF (FI, FG, FS)</b>	
903	

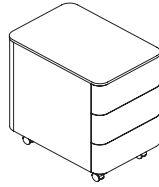
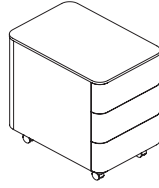
<b>W</b>	<b>N</b>	<b>R</b>	<b>M</b>	<b>T</b>	<b>1</b>	<b>2</b>	<b>6</b>	<b>L</b>	dimensions: 1200 × 600 mm
----------	----------	----------	----------	----------	----------	----------	----------	----------	---------------------------

# Panels

## Modesty panels for desks

											for a desk in length:		Veneer +4	Veneer +5
W	N	R	P	D	T	1	8	A	<u>1</u>		1800 mm		148	212
W	N	R	P	D	T	2	0	A	<u>1</u>		2000 mm		158	230
W	N	R	P	D	T	2	2	A	<u>1</u>		2200 mm		175	255
									<b>1</b>	For free-standing desks				
									<b>2</b>	For desks with a sideboard				

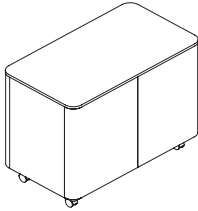
Mobile pedestals,  
height 630 mm, width 410 mm

											<b>Veneer + 4, Melamine + 1</b>		
											<b>White, black and grey MDF (FI, FG, FS)</b>		
<b>W</b>	<b>N</b>	<b>R</b>	<b>C</b>	<b>M</b>	<b>3</b>	<b>1</b>	<b>6</b>	<b>C</b>	<b>N</b>	600 mm	3 drawers + pencil drawer		1435
<b>W</b>	<b>N</b>	<b>R</b>	<b>C</b>	<b>M</b>	<b>3</b>	<b>1</b>	<b>6</b>	<b>C</b>	<b>N</b>	600 mm	3 drawers + pencil drawer		1584
										<b>N</b>	Without lock		
										<b>K</b>	With a lock with 2 folding keys, surcharge 38 EUR		

Pedestal drawers insides – MS melamine,  
black pencil drawer upholstered with black leather

# Sideboards

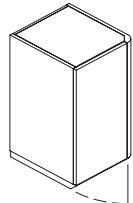
Mobile sideboards,  
height 638 mm, depth 450 mm

											Veneer + 4		* Veneer+4 Melamine + 1				
											White, black and grey MDF (FI, FG, FS)						
											 <p>drawings of all sideboards available at page 311</p>						
											length						
<b>W</b>	<b>N</b>	<b>R</b>	<b>S</b>	<b>B</b>	<b>M</b>	<b>W</b>	<b>0</b>	<b>8</b>	<b>N</b>	<b>N</b>	<b>N</b>	<b>N</b>	<b>Z</b>	800 mm	2 × hinged door	1122	966
											<b>N</b> Without lock						
											<b>K</b> With a lock with 2 folding keys, surcharge 38 EUR						
<b>W</b>	<b>N</b>	<b>R</b>	<b>S</b>	<b>B</b>	<b>M</b>	<b>H</b>	<b>1</b>	<b>2</b>	<b>N</b>	<b>N</b>	<b>N</b>	<b>N</b>	<b>Z</b>	1200 mm	2 × hinged door + 2 × drawer	1833	1632
<b>W</b>	<b>N</b>	<b>R</b>	<b>S</b>	<b>B</b>	<b>M</b>	<b>E</b>	<b>1</b>	<b>2</b>	<b>N</b>	<b>N</b>	<b>N</b>	<b>N</b>	<b>Z</b>	1200 mm	2 × hinged door + 3 × drawer	1942	1740
											Veneer + 5		* Veneer + 5 Melamine + 1				
											White, black and grey MDF (FI, FG, FS)						
<b>W</b>	<b>N</b>	<b>R</b>	<b>S</b>	<b>B</b>	<b>M</b>	<b>W</b>	<b>0</b>	<b>8</b>	<b>N</b>	<b>N</b>	<b>N</b>	<b>N</b>	<b>Z</b>	800 mm	2 × hinged door	1393	1158
<b>W</b>	<b>N</b>	<b>R</b>	<b>S</b>	<b>B</b>	<b>M</b>	<b>H</b>	<b>1</b>	<b>2</b>	<b>N</b>	<b>N</b>	<b>N</b>	<b>N</b>	<b>Z</b>	1200 mm	2 × hinged door + 2 × drawer	2247	1945
<b>W</b>	<b>N</b>	<b>R</b>	<b>S</b>	<b>B</b>	<b>M</b>	<b>E</b>	<b>1</b>	<b>2</b>	<b>N</b>	<b>N</b>	<b>N</b>	<b>N</b>	<b>Z</b>	1200 mm	2 × hinged door + 3 × drawer	2362	2059
											<b>N</b> Without outlet						
											<b>L</b> Left outlet						
											<b>R</b> Right outlet						
											<b>N</b> Without outlet						
											<b>P</b> Standard outlet						

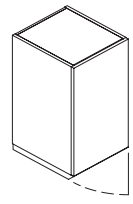
\* Veneered carcass, front melaminated lower and upper ring beams and shelves (MS colour)



Hinged door cabinets, external modular units, cabinets without top (tops on page 338), width 400 mm, depth 450 mm

											Veneer + 4	* Veneer + 4 Melamine + 1		
											White, black and grey MDF (FI, FG, FS)			
											 <p>Right cabinet on the drawing</p>			
	<b>N</b>	Without lock												
	<b>K</b>	With a lock with 2 folding keys, surcharge 38 EUR												
<b>W</b>	<b>N</b>	<b>R</b>	<b>S</b>	<b>W</b>	<b>0</b>	<b>4</b>	<b>2</b>	<b>Z</b>	<b>L</b>	<b>N</b>	<b>Z</b>	20H (788 mm height with the top)	662	505
<b>W</b>	<b>N</b>	<b>R</b>	<b>S</b>	<b>W</b>	<b>0</b>	<b>4</b>	<b>3</b>	<b>Z</b>	<b>L</b>	<b>N</b>	<b>Z</b>	30H (1140 mm height with the top)	803	596
											Instruction for joining cabinets under a joint top on page 310.			
											Veneer + 5	* Veneer + 5 Melamine + 1		
											White, black and grey MDF (FI, FG, FS)			
<b>W</b>	<b>N</b>	<b>R</b>	<b>S</b>	<b>W</b>	<b>0</b>	<b>4</b>	<b>2</b>	<b>Z</b>	<b>L</b>	<b>N</b>	<b>Z</b>	20H (788 mm height with the top)	831	612
<b>W</b>	<b>N</b>	<b>R</b>	<b>S</b>	<b>W</b>	<b>0</b>	<b>4</b>	<b>3</b>	<b>Z</b>	<b>L</b>	<b>N</b>	<b>Z</b>	30H (1140 mm height with the top)	1048	749
											* Veneered carcass, front melaminated lower and upper ring beams and shelves (MS colour)			
											<b>L</b>	Left cabinet		
											<b>R</b>	Right cabinet		

Hinged door cabinets – internal modular unit, cabinets without top (tops on page 338), width 400 mm, depth 450 mm

											Veneer + 4	* Veneer + 4 Melamine + 1		
											White, black and grey MDF (FI, FG, FS)			
											 <p>Right door cabinet on the drawing</p>			
											Instruction for joining cabinets under a joint top on page 310.			
	<b>N</b>	Without lock												
	<b>K</b>	With a lock with 2 folding keys, surcharge 38 EUR												
<b>W</b>	<b>N</b>	<b>R</b>	<b>S</b>	<b>W</b>	<b>0</b>	<b>4</b>	<b>2</b>	<b>S</b>	<b>L</b>	<b>N</b>	<b>Z</b>	20H (788 mm height with the top)	600	447
<b>W</b>	<b>N</b>	<b>R</b>	<b>S</b>	<b>W</b>	<b>0</b>	<b>4</b>	<b>3</b>	<b>S</b>	<b>L</b>	<b>N</b>	<b>Z</b>	30H (1140 mm height with the top)	732	528
											Veneer + 5	* Veneer + 5 Melamine + 1		
											White, black and grey MDF (FI, FG, FS)			
<b>W</b>	<b>N</b>	<b>R</b>	<b>S</b>	<b>W</b>	<b>0</b>	<b>4</b>	<b>2</b>	<b>S</b>	<b>L</b>	<b>N</b>	<b>Z</b>	20H (788 mm height with the top)	773	561
<b>W</b>	<b>N</b>	<b>R</b>	<b>S</b>	<b>W</b>	<b>0</b>	<b>4</b>	<b>3</b>	<b>S</b>	<b>L</b>	<b>N</b>	<b>Z</b>	30H (1140 mm height with the top)	981	687
											* Veneered carcass, front melaminated lower and upper ring beams and shelves (MS colour)			
											<b>L</b>	Left door		
											<b>R</b>	Right door		

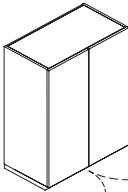
# Cabinets

Hinged door cabinets, external modular units, cabinets without top (tops on page 338), width 800 mm, depth 450 mm

											<b>Veneer + 4</b>		<b>*Veneer + 4 Melamine + 1</b>	
											<b>White, black and grey MDF (FI, FG, FS)</b>			
											<b>N</b> Without lock <b>K</b> With a lock with 2 folding keys, surcharge 38 EUR			
<b>W</b>	<b>N</b>	<b>R</b>	<b>S</b>	<b>W</b>	<b>0</b>	<b>8</b>	<b>2</b>	<b>Z</b>	<b>L</b>	<b>N</b>	<b>Z</b>	20H (788 mm height with the top)	1001	698
<b>W</b>	<b>N</b>	<b>R</b>	<b>S</b>	<b>W</b>	<b>0</b>	<b>8</b>	<b>3</b>	<b>Z</b>	<b>L</b>	<b>N</b>	<b>Z</b>	30H (1140 mm height with the top)	1268	820
											Instruction for joining cabinets under a joint top on page 310.			
											<b>Veneer + 5</b>		<b>*Veneer + 5 Melamine + 1</b>	
											<b>White, black and grey MDF (FI, FG, FS)</b>			
<b>W</b>	<b>N</b>	<b>R</b>	<b>S</b>	<b>W</b>	<b>0</b>	<b>8</b>	<b>2</b>	<b>Z</b>	<b>L</b>	<b>N</b>	<b>Z</b>	20H (788 mm height with the top)	1273	846
<b>W</b>	<b>N</b>	<b>R</b>	<b>S</b>	<b>W</b>	<b>0</b>	<b>8</b>	<b>3</b>	<b>Z</b>	<b>L</b>	<b>N</b>	<b>Z</b>	30H (1140 mm height with the top)	1658	1029
											<b>L</b> Left cabinet <b>R</b> Right cabinet			
											*Veneered carcass, melaminated lower and upper ring beams and shelves (MS colour)			

Hinged door cabinets, internal modular unit, cabinets without top (tops on page 338), width 800 mm, depth 450 mm

**N** Without lock  
**K** With a lock with 2 folding keys, surcharge 38 EUR

Veneer + 4	* Veneer + 4 Melamine + 1
<b>White, black and grey MDF (FI, FG, FS)</b>	
 <p>Internal cabinet on the drawing</p>	
939	640
1195	750

W	N	R	S	W	0	8	2	S	N	N	Z	
W	N	R	S	W	0	8	2	S	N	N	Z	20H (788 mm height with the top)
W	N	R	S	W	0	8	3	S	N	N	Z	30H (1140 mm height with the top)

Instruction for joining cabinets under a joint top on page 310.

Veneer + 5	* Veneer + 5 Melamine + 1
<b>White, black and grey MDF (FI, FG, FS)</b>	
1216	794
1589	964

W	N	R	S	W	0	8	2	S	N	N	Z	
W	N	R	S	W	0	8	2	S	N	N	Z	20H (788 mm height with the top)
W	N	R	S	W	0	8	3	S	N	N	Z	30H (1140 mm height with the top)

\* Veneered carcass, front and back, melaminated lower and upper ring beams and shelves (MS colour)


# Cabinets

Hinged door cabinets, free standing cabinets without top (tops on page 338), width 800 mm, depth 450 mm

												Veneer + 4		*Veneer + 4 Melamine + 1	
												White, black and grey MDF (FI, FG, FS)			
<b>N</b>	Without lock														
<b>K</b>	With a lock with 2 folding keys, surcharge 38 EUR														
<b>W</b>	<b>N</b>	<b>R</b>	<b>S</b>	<b>W</b>	<b>0</b>	<b>8</b>	<b>2</b>	<b>F</b>	<b>N</b>	<b>N</b>	<b>Z</b>	20H (788mm height with the top)	1114	793	
<b>W</b>	<b>N</b>	<b>R</b>	<b>S</b>	<b>W</b>	<b>0</b>	<b>8</b>	<b>3</b>	<b>F</b>	<b>N</b>	<b>N</b>	<b>Z</b>	30H (1140mm height with the top)	1405	930	
												Veneer + 5		*Veneer + 5 Melamine + 1	
												White, black and grey MDF (FI, FG, FS)			
<b>W</b>	<b>N</b>	<b>R</b>	<b>S</b>	<b>W</b>	<b>0</b>	<b>8</b>	<b>2</b>	<b>F</b>	<b>N</b>	<b>N</b>	<b>Z</b>	20H (788mm height with the top)	1392	941	
<b>W</b>	<b>N</b>	<b>R</b>	<b>S</b>	<b>W</b>	<b>0</b>	<b>8</b>	<b>3</b>	<b>F</b>	<b>N</b>	<b>N</b>	<b>Z</b>	30H (1140mm height with the top)	1807	1143	

\*Veneered carcass, melaminated lower and upper ring beams and shelves (MS colour)

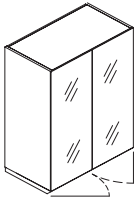
Glass hinged door cabinets, internal modular units, cabinets without top (tops on page 338), width 400 mm, depth 450 mm

													Veneer + 4		* Veneer + 4 Melamine + 1	
													White, black and grey MDF (FI, FG, FS)			
													White, black and grey glass (SI, SG, SS)			
																
													Right door cabinet on the drawing			
W	N	R	S	G	O	4	2	S	L	N	Z		20H (788 mm height with the top)	678	526	
W	N	R	S	G	O	4	3	S	L	N	Z		30H (1140 mm height with the top)	856	652	
													Instruction for joining cabinets under a joint top on page 310.			
													Veneer + 5		* Veneer + 5 Melamine + 1	
													White, black and grey MDF (FI, FG, FS)			
													White, black and grey glass (SI, SG, SS)			
W	N	R	S	G	O	4	2	S	L	N	Z		20H (788 mm height with the top)	819	604	
W	N	R	S	G	O	4	3	S	L	N	Z		30H (1140 mm height with the top)	1057	761	

\*Veneered carcass, melaminated lower and upper ring beams and shelves (MS colour)

# Cabinets

Glass hinged door cabinets, internal modular units, cabinets without top (tops on page 338), width 800 mm, depth 450 mm

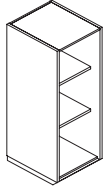
<b>Veneer + 4</b>	<b>* Veneer + 4 Melamine + 1</b>		
<b>White, black and grey MDF (FI, FG, FS)</b>			
<b>White, black and grey glass (SI, SG, SS)</b>			
 <p>Internal cabinet on the drawing</p>			
<b>W N R S G O 8 2 S N N Z</b>	20H (788mm height with the top)	1077	784
<b>W N R S G O 8 3 S N N Z</b>	30H (1140mm height with the top)	1418	982

Instruction for joining cabinets under a joint top on page 310.

<b>Veneer + 5</b>	<b>* Veneer + 5 Melamine + 1</b>		
<b>White, black and grey MDF (FI, FG, FS)</b>			
<b>White, black and grey glass (SI, SG, SS)</b>			
<b>W N R S G O 8 2 S N N Z</b>	20H (788mm height with the top)	1277	862
<b>W N R S G O 8 3 S N N Z</b>	30H (1140mm height with the top)	1703	1092

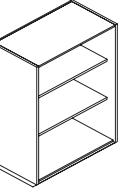
\*Veneered carcass, melaminated lower and upper ring beams and shelves (MS colour)

Open cabinets, internal modular units, cabinets without top (tops on page 338), width 400 mm, depth 450 mm

<b>Veneer + 4</b>	
<b>White, black and grey MDF (FI, FG, FS)</b>	
	
20H (788 mm height with the top)	518
30H (1140 mm height with the top)	637

<b>W</b>	<b>N</b>	<b>R</b>	<b>S</b>	<b>N</b>	<b>0</b>	<b>4</b>	<b>2</b>	<b>S</b>	<b>N</b>	<b>N</b>	<b>Z</b>	20H (788 mm height with the top)
<b>W</b>	<b>N</b>	<b>R</b>	<b>S</b>	<b>N</b>	<b>0</b>	<b>4</b>	<b>3</b>	<b>S</b>	<b>N</b>	<b>N</b>	<b>Z</b>	30H (1140 mm height with the top)

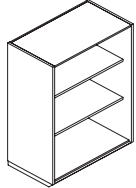
Instruction for joining cabinets under a joint top on page 310.

<b>Veneer + 5</b>	
<b>White, black and grey MDF (FI, FG, FS)</b>	
	
20H (788 mm height with the top)	667
30H (1140 mm height with the top)	854

<b>W</b>	<b>N</b>	<b>R</b>	<b>S</b>	<b>N</b>	<b>0</b>	<b>4</b>	<b>2</b>	<b>S</b>	<b>N</b>	<b>N</b>	<b>Z</b>	20H (788 mm height with the top)
<b>W</b>	<b>N</b>	<b>R</b>	<b>S</b>	<b>N</b>	<b>0</b>	<b>4</b>	<b>3</b>	<b>S</b>	<b>N</b>	<b>N</b>	<b>Z</b>	30H (1140 mm height with the top)

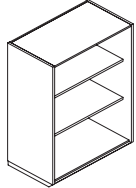
Open cabinets fully veneered only

Open cabinets, internal modular units, cabinets without top (tops on page 338), width 800 mm, depth 450 mm

<b>Veneer + 4</b>	
<b>White, black and grey MDF (FI, FG, FS)</b>	
	
20H (788 mm height with the top)	679
30H (1140 mm height with the top)	841

<b>W</b>	<b>N</b>	<b>R</b>	<b>S</b>	<b>N</b>	<b>0</b>	<b>8</b>	<b>2</b>	<b>S</b>	<b>N</b>	<b>N</b>	<b>Z</b>	20H (788 mm height with the top)
<b>W</b>	<b>N</b>	<b>R</b>	<b>S</b>	<b>N</b>	<b>0</b>	<b>8</b>	<b>3</b>	<b>S</b>	<b>N</b>	<b>N</b>	<b>Z</b>	30H (1140 mm height with the top)

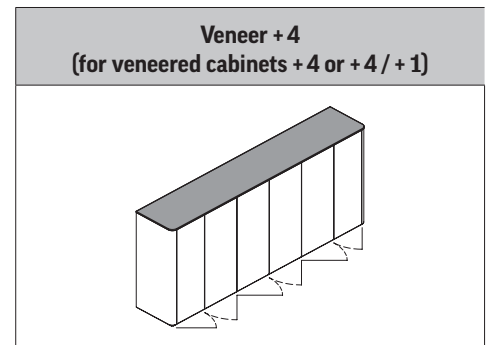
Instruction for joining cabinets under a joint top on page 310.

<b>Veneer + 5</b>	
<b>White, black and grey MDF (FI, FG, FS)</b>	
	
20H (788 mm height with the top)	894
30H (1140 mm height with the top)	1151

<b>W</b>	<b>N</b>	<b>R</b>	<b>S</b>	<b>N</b>	<b>0</b>	<b>8</b>	<b>2</b>	<b>S</b>	<b>N</b>	<b>N</b>	<b>Z</b>	20H (788 mm height with the top)
<b>W</b>	<b>N</b>	<b>R</b>	<b>S</b>	<b>N</b>	<b>0</b>	<b>8</b>	<b>3</b>	<b>S</b>	<b>N</b>	<b>N</b>	<b>Z</b>	30H (1140 mm height with the top)

Open cabinets fully veneered only

## Tops for cabinets or sets of cabinets




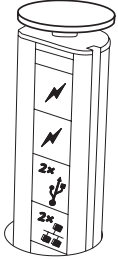

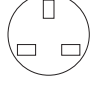
W	N	R	S	P	0	8	F	length	
								802 mm	96
								1202 mm	124
								1602 mm	154
								2002 mm	189
								2402 mm	219

W	N	R	S	P	0	8	F	length	
								802 mm	138
								1202 mm	185
								1602 mm	234
								2002 mm	286
								2402 mm	335

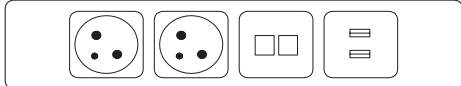
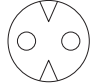

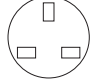
- F** Top rounded on both sides
- L** Top rounded on the left side
- R** Top rounded on the right side
- S** Middle top - no curves



Conference table electrical port Evoline, round shape, sliding,  
4 ports 2 power sockets + 2 × RJ45 + 2 × USB

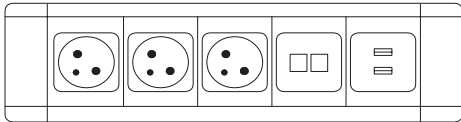
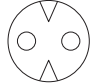

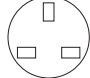
<b>W</b>	<b>N</b>	<b>R</b>	<b>A</b>	<b>U</b>	<b>X</b>	<b>0</b>	<b>6</b>	<b>E</b>	<b>V</b>	<b>4</b>	<b>G</b>	<b>E</b>	<b>A</b>	<b>L</b>	German standard (without pin) colour: silver		883	
<b>W</b>	<b>N</b>	<b>R</b>	<b>A</b>	<b>U</b>	<b>X</b>	<b>0</b>	<b>6</b>	<b>E</b>	<b>V</b>	<b>4</b>	<b>G</b>	<b>E</b>	<b>C</b>	<b>Z</b>	German standard (without pin) colour: black		929	
<b>W</b>	<b>N</b>	<b>R</b>	<b>A</b>	<b>U</b>	<b>X</b>	<b>0</b>	<b>6</b>	<b>E</b>	<b>V</b>	<b>4</b>	<b>F</b>	<b>R</b>	<b>A</b>	<b>L</b>	French standard (with pin) colour: silver		884	
<b>W</b>	<b>N</b>	<b>R</b>	<b>A</b>	<b>U</b>	<b>X</b>	<b>0</b>	<b>6</b>	<b>E</b>	<b>V</b>	<b>4</b>	<b>F</b>	<b>R</b>	<b>C</b>	<b>Z</b>	French standard (with pin) colour: black		929	
<b>W</b>	<b>N</b>	<b>R</b>	<b>A</b>	<b>U</b>	<b>X</b>	<b>0</b>	<b>6</b>	<b>E</b>	<b>V</b>	<b>4</b>	<b>G</b>	<b>B</b>	<b>A</b>	<b>L</b>	British standard colour: silver		894	
<b>W</b>	<b>N</b>	<b>R</b>	<b>A</b>	<b>U</b>	<b>X</b>	<b>0</b>	<b>6</b>	<b>E</b>	<b>V</b>	<b>4</b>	<b>G</b>	<b>B</b>	<b>C</b>	<b>Z</b>	British standard colour: black		940	

Desk electrical strip (240 × 100 mm) A&H Meyer netbox M4,  
4 ports, 2 power sockets + 2 × RJ45 + 2 × USB

																				
<b>W</b>	<b>N</b>	<b>R</b>	<b>A</b>	<b>U</b>	<b>X</b>	<b>0</b>	<b>7</b>	<b>A</b>	<b>H</b>	<b>4</b>	<b>G</b>	<b>E</b>	<b>C</b>	<b>Z</b>	German standard (without pin)		440			
<b>W</b>	<b>N</b>	<b>R</b>	<b>A</b>	<b>U</b>	<b>X</b>	<b>0</b>	<b>7</b>	<b>A</b>	<b>H</b>	<b>4</b>	<b>F</b>	<b>R</b>	<b>C</b>	<b>Z</b>	French standard (with pin)		447			
<b>W</b>	<b>N</b>	<b>R</b>	<b>A</b>	<b>U</b>	<b>X</b>	<b>0</b>	<b>7</b>	<b>A</b>	<b>H</b>	<b>4</b>	<b>G</b>	<b>B</b>	<b>C</b>	<b>Z</b>	British standard		459			

Colour: only black

Conference table electrical strip (327 × 84 mm) A&H Meyer netbox line,  
5 ports, 3 power socket + 2 × RJ45 + 2 × USB

																					
<b>W</b>	<b>N</b>	<b>R</b>	<b>A</b>	<b>U</b>	<b>X</b>	<b>0</b>	<b>8</b>	<b>A</b>	<b>H</b>	<b>5</b>	<b>G</b>	<b>E</b>	<b>A</b>	<b>L</b>	German standard (without pin)		469				
<b>W</b>	<b>N</b>	<b>R</b>	<b>A</b>	<b>U</b>	<b>X</b>	<b>0</b>	<b>8</b>	<b>A</b>	<b>H</b>	<b>5</b>	<b>F</b>	<b>R</b>	<b>A</b>	<b>L</b>	French standard (with pin)		474				
<b>W</b>	<b>N</b>	<b>R</b>	<b>A</b>	<b>U</b>	<b>X</b>	<b>0</b>	<b>8</b>	<b>A</b>	<b>H</b>	<b>5</b>	<b>G</b>	<b>B</b>	<b>A</b>	<b>L</b>	British standard		490				

Colour: only silver



# Receptions

## TABLE OF CONTENTS

<b>Sand</b>	<b>343</b>
<b>Technical description</b>	<b>345</b>
Reception counters	346
<b>Price list</b>	<b>347</b>
Reception	348
<b>Check-in</b>	<b>349</b>
<b>Technical description</b>	<b>351</b>
Check-in reception panels	352
<b>Price list</b>	<b>353</b>
Reception panels	354-356
<b>Velum</b>	<b>357</b>
<b>Technical description</b>	<b>359</b>
Velum reception counters	360
<b>Price list</b>	<b>361</b>
Reception furniture	362-366

# Sand

## **TABLE OF CONTENTS – SAND**

<b>Technical description</b>	<b>345</b>
Reception counters	346
<b>Price list</b>	<b>347</b>
Reception	348

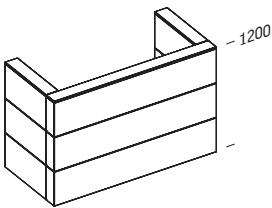
# Technical

**description**

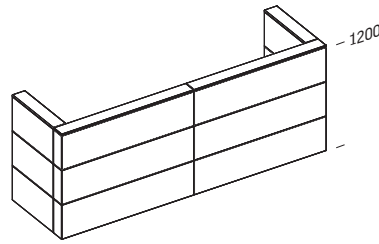
## 1. Reception counters

The 150 mm thick Sand reception wall is made of chipboard covered with hardly flammable polyurethane foam of 35 kg/m<sup>3</sup> density and an upholstery fabric. The wall cover is made of 18 mm thick melamine faced chipboard. The walls can be complemented with any desks from the Nowy Styl Group's offer.

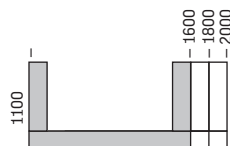
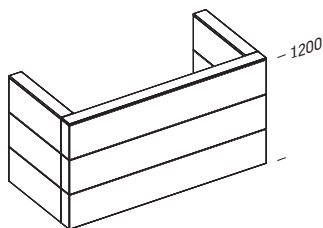
### 1.1 Reception - 1 desk, height 1200 mm, depth 900 mm



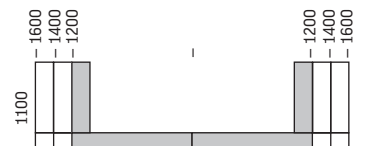
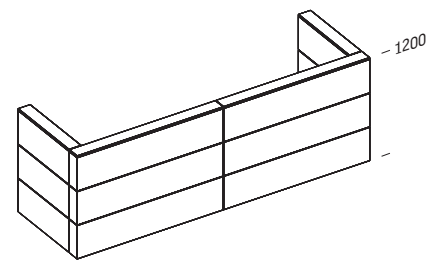
### 1.2 Reception - 2 desks, height 1200 mm, depth 900 mm



### 1.3 Reception - 1 desk, height 1200 mm, depth 1100 mm

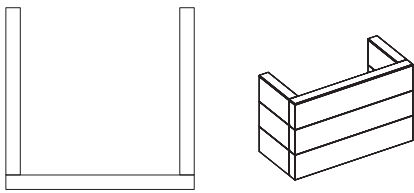
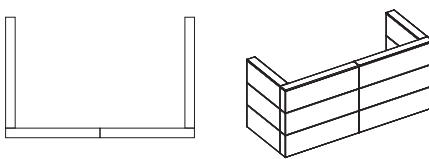
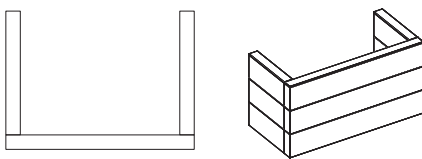
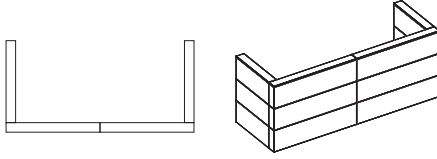


### 1.4 Reception - 2 desks, height 1200 mm, depth 1100 mm





# Price list

Technical drawing	Name	Depth	Width	Price group 4 Blazer, Synergy
	<p><b>Sand reception R01-1:</b> W: ❶, D: 900, H: 1200, ❷ ❷ ❷, ❸</p> <p><b>Reception</b> - 1 desk <b>Height:</b> 1200 mm (3 levels) <b>For desks with a max. Depth:</b> 900 mm</p>	900 mm	1920 mm	2295
			2120 mm	2400
			2320 mm	2535
	<p><b>Sand reception R02-1:</b> W: ❶, D: 900, H: 1200, ❷ ❷ ❷, ❸</p> <p><b>Reception</b> - 2 desks <b>Height:</b> 1200 mm (3 levels) <b>For desks with a max. depth:</b> 600 mm</p>	900 mm	2720 mm	2775
			3120 mm	3015
			3520 mm	3255
	<p><b>Sand reception R01-2:</b> W: ❶, D: 1100, H: 1200, ❷ ❷ ❷, ❸</p> <p><b>Reception</b> - 1 desk <b>Height:</b> 1200 mm (3 levels) <b>For desks with a max. depth:</b> 800 mm</p>	1100 mm	1920 mm	2535
			2120 mm	2640
			2320 mm	2775
	<p><b>Sand reception R02-2:</b> W: ❶, D: 1100, H: 1200, ❷ ❷ ❷, ❸</p> <p><b>Reception</b> - 2 desks <b>Height:</b> 1200 mm (3 levels) <b>For desks with a max. depth:</b> 800 mm</p>	1100 mm	2720 mm	3015
			3120 mm	3255
			3520 mm	3495

- ❶ Width
- ❷ Type and colour of upholstery
- ❸ Cover colour

# Check-in

## TABLE OF CONTENTS – CHECK-IN

<b>Technical description</b>	<b>351</b>
Reception panels	352
<b>Price list</b>	<b>353</b>
Reception panels	354-356

# Technical

**description**

# Description

## 1. Check-in reception panels

Check-in reception counters are built by putting together a desk (Easy Space or SQart) and front and/or side panels which are mounted to desk top.

Front panels are available in several options:

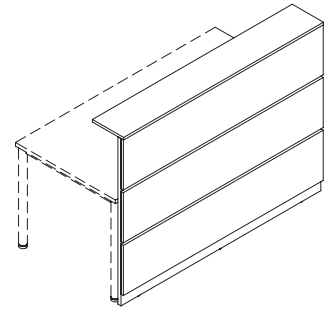
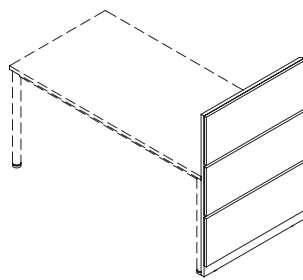
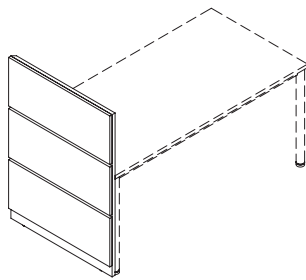
- central panel (straight, cannot be assembled with a side panel),
- left panel (straight, can be assembled with a left side panel),
- right panel (straight, can be assembled with a right side panel),
- double-sided panel (straight, can be assembled with left and right side panels).

Front and side panels are made of 25 mm class

E1 fine chipboard, with melamine coating on both sides. On the front side the panels have three 18 mm thick upholstered pads placed with 18 mm spacing. Each pad is mounted with quick release fixings (located in four corners for panels with 1100 mm length and with one extra central fixing for panels longer than 1100 mm).

The pads have an important additional feature - they can be assembled and disassembled multiple times and exchanged freely without the assistance of service staff. Thumbtacks cannot be used on the front side of the upholstered pads. The front panel always comes with a 250 mm

deep top made of 18 mm fine chipboard with melamine coating on both sides. Optionally, the front panel can have an upholstered pad on the user's side. The pad is made of 8 mm soft fibreboard covered with upholstery. Front and side panels are joined with cam and dowel fixings at a 45 degrees angle. Front and side panels are joined with the desk on the inside, beneath the work top, with metal linking units. Reception counters can be leveled in the range of 10 mm. The products are supplied in packaging for self-assembly.



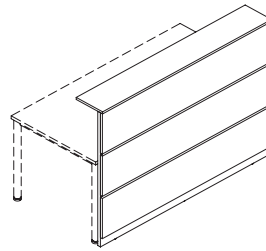
# Price list

# Reception panels

## Reception panels, front panel

- L** Panel to which a left side panel can be mounted
- R** Panel to which a right side panel can be mounted
- M** Panel to which no side panels can be mounted
- D** Panel to which right and left side panels can be mounted

											Melamine + 1				
											<b>B</b>	<b>T</b>			
<b>W</b>	<b>N</b>	<b>L</b>	<b>T</b>	<b>F</b>	<b>L</b>	<b>0</b>	<b>8</b>	<b>I</b>	<b>N</b>	<b>B</b>	<b>N</b>	width	800 mm	107	122
<b>W</b>	<b>N</b>	<b>L</b>	<b>T</b>	<b>F</b>	<b>L</b>	<b>1</b>	<b>0</b>	<b>I</b>	<b>N</b>	<b>B</b>	<b>N</b>		1000 mm	125	142
<b>W</b>	<b>N</b>	<b>L</b>	<b>T</b>	<b>F</b>	<b>L</b>	<b>1</b>	<b>2</b>	<b>I</b>	<b>N</b>	<b>B</b>	<b>N</b>		1200 mm	148	169
<b>W</b>	<b>N</b>	<b>L</b>	<b>T</b>	<b>F</b>	<b>L</b>	<b>1</b>	<b>4</b>	<b>I</b>	<b>N</b>	<b>B</b>	<b>N</b>		1400 mm	191	216
<b>W</b>	<b>N</b>	<b>L</b>	<b>T</b>	<b>F</b>	<b>L</b>	<b>1</b>	<b>6</b>	<b>I</b>	<b>N</b>	<b>B</b>	<b>N</b>		1600 mm	198	229
<b>W</b>	<b>N</b>	<b>L</b>	<b>T</b>	<b>F</b>	<b>L</b>	<b>1</b>	<b>8</b>	<b>I</b>	<b>N</b>	<b>B</b>	<b>N</b>		1800 mm	205	237
<b>W</b>	<b>N</b>	<b>L</b>	<b>T</b>	<b>F</b>	<b>L</b>	<b>2</b>	<b>0</b>	<b>I</b>	<b>N</b>	<b>B</b>	<b>N</b>		2000 mm	212	245



Panel without upholstered pads. A set of 3 pads on page 356.

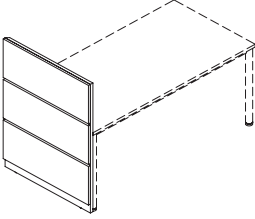
- B** Without upholstered pad on the user's side
- T** With upholstered pad on the user's side

- I** For linking with Easy Space desk\*
- S** For linking with SQart desk\*

\*Attention - Easy Space/SQart desks must be ordered separately



## Reception panels, side panel

												<b>Melamine + 1</b>		
												<b>L/R</b>		
												<b>L</b> Left side panel		
												<b>R</b> Right side panel		
												<b>width</b>		
<b>W</b>	<b>N</b>	<b>L</b>	<b>T</b>	<b>B</b>	<b>L</b>	<b>0 6</b>	<b>I</b>	<b>1</b>	<b>N</b>	<b>N</b>	<b>N</b>	600mm		
<b>W</b>	<b>N</b>	<b>L</b>	<b>T</b>	<b>B</b>	<b>L</b>	<b>0 7</b>	<b>I</b>	<b>1</b>	<b>N</b>	<b>N</b>	<b>N</b>	700mm		
<b>W</b>	<b>N</b>	<b>L</b>	<b>T</b>	<b>B</b>	<b>L</b>	<b>0 8</b>	<b>I</b>	<b>1</b>	<b>N</b>	<b>N</b>	<b>N</b>	800mm		77
<b>W</b>	<b>N</b>	<b>L</b>	<b>T</b>	<b>B</b>	<b>L</b>	<b>0 9</b>	<b>I</b>	<b>1</b>	<b>N</b>	<b>N</b>	<b>N</b>	900mm		88
<b>W</b>	<b>N</b>	<b>L</b>	<b>T</b>	<b>B</b>	<b>L</b>	<b>1 0</b>	<b>I</b>	<b>1</b>	<b>N</b>	<b>N</b>	<b>N</b>	1000mm		88
<b>W</b>	<b>N</b>	<b>L</b>	<b>T</b>	<b>B</b>	<b>L</b>	<b>1 0</b>	<b>I</b>	<b>1</b>	<b>N</b>	<b>N</b>	<b>N</b>	1000mm		99
												99		
												Panel without upholstered pads. A set of 3 pads on page 356.		
												<b>I</b> For linking with Easy Space desk*		
												<b>S</b> For linking with SQart desk*		
												*Attention – Easy Space/SQart desks must be ordered separately		

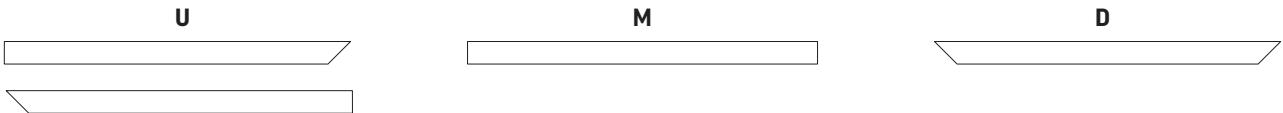
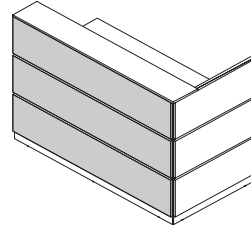
# Reception panels

A set of 3 upholstered pads for the front panel

Check-in

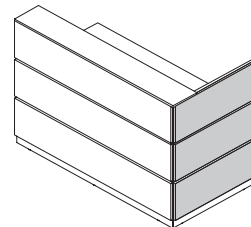
- U** For panel to which right or left side panels can be mounted
- M** For panel to which no side panels can be mounted
- D** For panel to which right and left side panels can be mounted

											<b>width</b>		<b>Fabric + 3</b>	
													<b>U/M/D</b>	
<b>W</b>	<b>N</b>	<b>L</b>	<b>T</b>	<b>P</b>	<b>F</b>	<b>M</b>	<b>0</b>	<b>8</b>	<b>N</b>	800 mm		67		
<b>W</b>	<b>N</b>	<b>L</b>	<b>T</b>	<b>P</b>	<b>F</b>	<b>M</b>	<b>1</b>	<b>0</b>	<b>N</b>	1000 mm		79		
<b>W</b>	<b>N</b>	<b>L</b>	<b>T</b>	<b>P</b>	<b>F</b>	<b>M</b>	<b>1</b>	<b>2</b>	<b>N</b>	1200 mm		90		
<b>W</b>	<b>N</b>	<b>L</b>	<b>T</b>	<b>P</b>	<b>F</b>	<b>M</b>	<b>1</b>	<b>4</b>	<b>N</b>	1400 mm		104		
<b>W</b>	<b>N</b>	<b>L</b>	<b>T</b>	<b>P</b>	<b>F</b>	<b>M</b>	<b>1</b>	<b>6</b>	<b>N</b>	1600 mm		114		
<b>W</b>	<b>N</b>	<b>L</b>	<b>T</b>	<b>P</b>	<b>F</b>	<b>M</b>	<b>1</b>	<b>8</b>	<b>N</b>	1800 mm		123		
<b>W</b>	<b>N</b>	<b>L</b>	<b>T</b>	<b>P</b>	<b>F</b>	<b>M</b>	<b>2</b>	<b>0</b>	<b>N</b>	2000 mm		131		



A set of 3 upholstered pads for the side panel

											<b>width</b>		<b>Fabric + 3</b>	
<b>W</b>	<b>N</b>	<b>L</b>	<b>T</b>	<b>P</b>	<b>B</b>	<b>N</b>	<b>0</b>	<b>6</b>	<b>N</b>	600 mm		56		
<b>W</b>	<b>N</b>	<b>L</b>	<b>T</b>	<b>P</b>	<b>B</b>	<b>N</b>	<b>0</b>	<b>7</b>	<b>N</b>	700 mm		61		
<b>W</b>	<b>N</b>	<b>L</b>	<b>T</b>	<b>P</b>	<b>B</b>	<b>N</b>	<b>0</b>	<b>8</b>	<b>N</b>	800 mm		67		
<b>W</b>	<b>N</b>	<b>L</b>	<b>T</b>	<b>P</b>	<b>B</b>	<b>N</b>	<b>0</b>	<b>9</b>	<b>N</b>	900 mm		72		
<b>W</b>	<b>N</b>	<b>L</b>	<b>T</b>	<b>P</b>	<b>B</b>	<b>N</b>	<b>1</b>	<b>0</b>	<b>N</b>	1000 mm		78		



# Velum

## TABLE OF CONTENTS – VELUM

<b>Technical description</b>	<b>359</b>
Reception counters	360
<b>Price list</b>	<b>361</b>
Reception furniture	362-366

# Technical

**description**

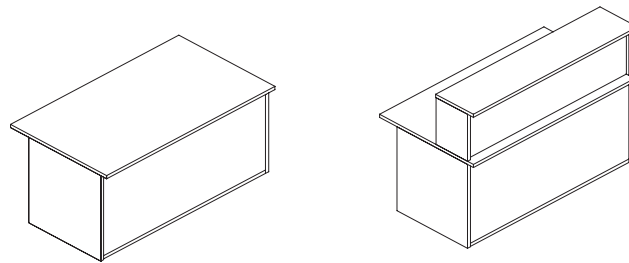
# Description

## 1. Velum reception counters

Reception counters are available as two types of units: straight and corner. Counter supporting structure is made of 25 mm melamine-coated fine chipboard class E1. Counter upper top and main top are made of 25 mm board, and edges are finished with 2 mm ABS edge banding. The fronts of the straight units are made of 12 mm fine chipboard while the corner units have fronts made of 3 mm high density fibreboard (the colour of HDF is always grey). Corner units are also available in laminates. Counter fronts can be non-upholstered, or upholstered on one or both sides. The front of the straight unit has a modesty panel

which is always melamine-coated on the inside. In corner units, upholstering of the internal parts is not possible. The internal parts with upholstery cannot serve as pinboard. The hard high density fibreboard or chipboard base makes it impossible to stick a drawing pin into the component. Counter units are joined together with metal elements fitted on the bottom side of the main top to form one whole. In the high unit, the lower component of the counter is joined with the upper component with cam and dowel fixings which secure the upper component against uncontrolled sliding. Reception counters can be leveled in the range of 10 mm.

**Note!** The HDF board used in the Velum reception counters is light grey on one side and dark grey on the other side. In the part of the the article number that defines the colour of particular components, the HDF board is marked with the MS symbol, however, this does not mean that it accurately corresponds to the colour of the melamine board with the same MS symbol. The upholstery option is not available for the front elements of the laminate counters.



Straight units: low and high



External corner units: low and high

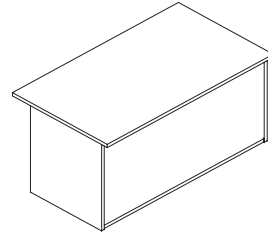
Internal corner units: low and high

# Price list

# Reception furniture

Reception counters, straight low unit,  
height 720 mm, depth 800 mm

													Melamine + 1				
													A	B			
<b>W</b>	<b>N</b>	<b>L</b>	<b>V</b>	<b>R</b>	<b>L</b>	<b>0</b>	<b>8</b>	<b>8</b>	<b>N</b>	<b>N</b>	<b>N</b>	<b>A</b>	<b>N</b>	width	800 mm	128	143
<b>W</b>	<b>N</b>	<b>L</b>	<b>V</b>	<b>R</b>	<b>L</b>	<b>1</b>	<b>0</b>	<b>8</b>	<b>N</b>	<b>N</b>	<b>N</b>	<b>A</b>	<b>N</b>	width	1000 mm	145	167
<b>W</b>	<b>N</b>	<b>L</b>	<b>V</b>	<b>R</b>	<b>L</b>	<b>1</b>	<b>2</b>	<b>8</b>	<b>N</b>	<b>N</b>	<b>N</b>	<b>A</b>	<b>N</b>	width	1200 mm	157	180
<b>W</b>	<b>N</b>	<b>L</b>	<b>V</b>	<b>R</b>	<b>L</b>	<b>1</b>	<b>4</b>	<b>8</b>	<b>N</b>	<b>N</b>	<b>N</b>	<b>A</b>	<b>N</b>	width	1400 mm	170	194
<b>W</b>	<b>N</b>	<b>L</b>	<b>V</b>	<b>R</b>	<b>L</b>	<b>1</b>	<b>6</b>	<b>8</b>	<b>N</b>	<b>N</b>	<b>N</b>	<b>A</b>	<b>N</b>	width	1600 mm	191	218
<b>W</b>	<b>N</b>	<b>L</b>	<b>V</b>	<b>R</b>	<b>L</b>	<b>1</b>	<b>8</b>	<b>8</b>	<b>N</b>	<b>N</b>	<b>N</b>	<b>A</b>	<b>N</b>	width	1800 mm	196	228
<b>W</b>	<b>N</b>	<b>L</b>	<b>V</b>	<b>R</b>	<b>L</b>	<b>2</b>	<b>0</b>	<b>8</b>	<b>N</b>	<b>N</b>	<b>N</b>	<b>A</b>	<b>N</b>	width	2000 mm	202	237

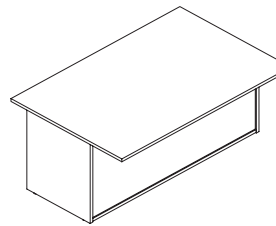


In straight units, bottom panel from the internal side is always melaminated

Without outlet for cables	<b>N</b>	Bottom outside	<b>A</b> Melamine
Left outlet for cables	<b>L</b>		<b>B</b> Upholstery
Right outlet for cables	<b>R</b>		
Middle outlet for cables	<b>M</b>		
Left + right outlet for cables	<b>D</b>		

Straight low unit,  
height 720 mm, depth 1050 mm

													Melamine + 1				
													A	B			
<b>W</b>	<b>N</b>	<b>L</b>	<b>V</b>	<b>R</b>	<b>I</b>	<b>0</b>	<b>8</b>	<b>1</b>	<b>N</b>	<b>N</b>	<b>N</b>	<b>A</b>	<b>N</b>	width	800 mm	149	167
<b>W</b>	<b>N</b>	<b>L</b>	<b>V</b>	<b>R</b>	<b>I</b>	<b>1</b>	<b>0</b>	<b>1</b>	<b>N</b>	<b>N</b>	<b>N</b>	<b>A</b>	<b>N</b>	width	1000 mm	171	188
<b>W</b>	<b>N</b>	<b>L</b>	<b>V</b>	<b>R</b>	<b>I</b>	<b>1</b>	<b>2</b>	<b>1</b>	<b>N</b>	<b>N</b>	<b>N</b>	<b>A</b>	<b>N</b>	width	1200 mm	182	204
<b>W</b>	<b>N</b>	<b>L</b>	<b>V</b>	<b>R</b>	<b>I</b>	<b>1</b>	<b>4</b>	<b>1</b>	<b>N</b>	<b>N</b>	<b>N</b>	<b>A</b>	<b>N</b>	width	1400 mm	221	243
<b>W</b>	<b>N</b>	<b>L</b>	<b>V</b>	<b>R</b>	<b>I</b>	<b>1</b>	<b>6</b>	<b>1</b>	<b>N</b>	<b>N</b>	<b>N</b>	<b>A</b>	<b>N</b>	width	1600 mm	239	268
<b>W</b>	<b>N</b>	<b>L</b>	<b>V</b>	<b>R</b>	<b>I</b>	<b>1</b>	<b>8</b>	<b>1</b>	<b>N</b>	<b>N</b>	<b>N</b>	<b>A</b>	<b>N</b>	width	1800 mm	248	278
<b>W</b>	<b>N</b>	<b>L</b>	<b>V</b>	<b>R</b>	<b>I</b>	<b>2</b>	<b>0</b>	<b>1</b>	<b>N</b>	<b>N</b>	<b>N</b>	<b>A</b>	<b>N</b>	width	2000 mm	254	286



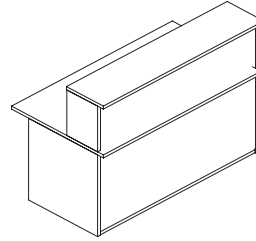
In straight units, bottom panel from the internal side is always melaminated

Without outlet for cables	<b>N</b>	Bottom outside	<b>A</b> Melamine
Left outlet for cables	<b>L</b>		<b>B</b> Upholstery
Right outlet for cables	<b>R</b>		
Middle outlet for cables	<b>M</b>		
Left + right outlet for cables	<b>D</b>		



## Reception counters, straight high unit, internal top panel – melamine height 1120 mm, depth 800 mm

											Melamine + 1							
											AAA	ABA	AAB	ABB				
<b>W</b>	<b>N</b>	<b>L</b>	<b>V</b>	<b>R</b>	<b>H</b>	<b>0</b>	<b>8</b>	<b>8</b>	<b>N</b>	<b>A</b>	<b>A</b>	<b>A</b>	<b>N</b>	800 mm	187	201	205	218
<b>W</b>	<b>N</b>	<b>L</b>	<b>V</b>	<b>R</b>	<b>H</b>	<b>1</b>	<b>0</b>	<b>8</b>	<b>N</b>	<b>A</b>	<b>A</b>	<b>A</b>	<b>N</b>	1000 mm	218	235	239	255
<b>W</b>	<b>N</b>	<b>L</b>	<b>V</b>	<b>R</b>	<b>H</b>	<b>1</b>	<b>2</b>	<b>8</b>	<b>N</b>	<b>A</b>	<b>A</b>	<b>A</b>	<b>N</b>	1200 mm	235	252	258	276
<b>W</b>	<b>N</b>	<b>L</b>	<b>V</b>	<b>R</b>	<b>H</b>	<b>1</b>	<b>4</b>	<b>8</b>	<b>N</b>	<b>A</b>	<b>A</b>	<b>A</b>	<b>N</b>	1400 mm	253	274	280	301
<b>W</b>	<b>N</b>	<b>L</b>	<b>V</b>	<b>R</b>	<b>H</b>	<b>1</b>	<b>6</b>	<b>8</b>	<b>N</b>	<b>A</b>	<b>A</b>	<b>A</b>	<b>N</b>	1600 mm	284	308	313	336
<b>W</b>	<b>N</b>	<b>L</b>	<b>V</b>	<b>R</b>	<b>H</b>	<b>1</b>	<b>8</b>	<b>8</b>	<b>N</b>	<b>A</b>	<b>A</b>	<b>A</b>	<b>N</b>	1800 mm	298	322	330	355
<b>W</b>	<b>N</b>	<b>L</b>	<b>V</b>	<b>R</b>	<b>H</b>	<b>2</b>	<b>0</b>	<b>8</b>	<b>N</b>	<b>A</b>	<b>A</b>	<b>A</b>	<b>N</b>	2000 mm	302	331	337	366

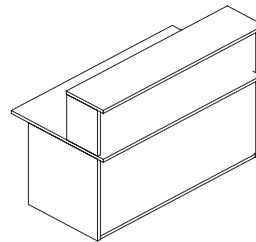


In straight units, bottom panel from the internal side is always melaminated

Without outlet for cables	<b>N</b>	Top inside	Top outside	Bottom outside	<b>A</b> Melamine <b>B</b> Upholstery
Left outlet for cables	<b>L</b>				
Right outlet for cables	<b>R</b>				
Middle outlet for cables	<b>M</b>				
Left + right outlet for cables	<b>D</b>				
	<b>A</b>	<b>A</b> Melamine			
	<b>B</b>	<b>B</b> Upholstery			
	<b>A</b>	<b>A</b> Melamine			

## Internal top panel – upholstery

											Melamine + 1							
											BAA	BBA	BAB	BBB				
<b>W</b>	<b>N</b>	<b>L</b>	<b>V</b>	<b>R</b>	<b>H</b>	<b>0</b>	<b>8</b>	<b>8</b>	<b>N</b>	<b>B</b>	<b>A</b>	<b>A</b>	<b>N</b>	800 mm	202	216	219	234
<b>W</b>	<b>N</b>	<b>L</b>	<b>V</b>	<b>R</b>	<b>H</b>	<b>1</b>	<b>0</b>	<b>8</b>	<b>N</b>	<b>B</b>	<b>A</b>	<b>A</b>	<b>N</b>	1000 mm	237	252	258	275
<b>W</b>	<b>N</b>	<b>L</b>	<b>V</b>	<b>R</b>	<b>H</b>	<b>1</b>	<b>2</b>	<b>8</b>	<b>N</b>	<b>B</b>	<b>A</b>	<b>A</b>	<b>N</b>	1200 mm	255	273	278	296
<b>W</b>	<b>N</b>	<b>L</b>	<b>V</b>	<b>R</b>	<b>H</b>	<b>1</b>	<b>4</b>	<b>8</b>	<b>N</b>	<b>B</b>	<b>A</b>	<b>A</b>	<b>N</b>	1400 mm	278	299	304	324
<b>W</b>	<b>N</b>	<b>L</b>	<b>V</b>	<b>R</b>	<b>H</b>	<b>1</b>	<b>6</b>	<b>8</b>	<b>N</b>	<b>B</b>	<b>A</b>	<b>A</b>	<b>N</b>	1600 mm	312	334	341	365
<b>W</b>	<b>N</b>	<b>L</b>	<b>V</b>	<b>R</b>	<b>H</b>	<b>1</b>	<b>8</b>	<b>8</b>	<b>N</b>	<b>B</b>	<b>A</b>	<b>A</b>	<b>N</b>	1800 mm	329	353	360	387
<b>W</b>	<b>N</b>	<b>L</b>	<b>V</b>	<b>R</b>	<b>H</b>	<b>2</b>	<b>0</b>	<b>8</b>	<b>N</b>	<b>B</b>	<b>A</b>	<b>A</b>	<b>N</b>	2000 mm	336	364	371	401



In straight units, bottom panel from the internal side is always melaminated

Without outlet for cables	<b>N</b>	Top inside	Top outside	Bottom outside	<b>A</b> Melamine <b>B</b> Upholstery
Left outlet for cables	<b>L</b>				
Right outlet for cables	<b>R</b>				
Middle outlet for cables	<b>M</b>				
Left + right outlet for cables	<b>D</b>				
	<b>A</b>	<b>A</b> Melamine			
	<b>B</b>	<b>B</b> Upholstery			
	<b>A</b>	<b>A</b> Melamine			

# Reception furniture

Reception counters, external low unit corner  
height 720 mm, depth 800 mm

										Melamine + 1							
										NNA	NNB						
W	N	L	V	Z	L	9	0	8	N	N	N	A	N	angle 90°, external dimensions: 800 × 800 mm		211	240
										In corner units, internal parts upholstery is not possible							
										Bottom outside							
Without outlet for cables										N							
Left outlet for cables										L							
Right outlet for cables										R							
Middle outlet for cables										M	A	HDF					
Left + right outlet for cables										D	B	Upholstered HDF					

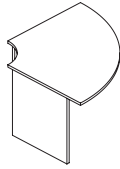
External low unit corner  
height 720 mm, depth 1050 mm

											Melamine + 1						
											NNA	NNB					
W	N	L	V	Z	I	9	0	1	N	N	N	A	N	angle 90°, external dimensions: 1050 × 1050 mm		263	293
											In corner units, internal parts upholstery is not possible						
											Bottom outside						
Without outlet for cables											N						
Left outlet for cables											L						
Right outlet for cables											R						
Middle outlet for cables											M	A	HDF				
Left + right outlet for cables											D	B	Upholstered HDF				

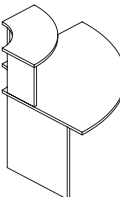
External high unit corner,  
height 1120 mm, depth 800 mm

													Melamine + 1						
													NAA	NBA	NAB	NBB			
W	N	L	V	Z	H	9	0	8	N	N	A	A	N	angle 90°, external dimensions: 800 × 800 mm		308	330	337	358
													In corner units, internal parts upholstery is not possible						
													Top outside		Bottom outside				
Without outlet for cables													N						
Left outlet for cables													L						
Right outlet for cables													R						
Middle outlet for cables													M	A	HDF				
Left + right outlet for cables													D	B	Upholstered HDF				
													A	HDF					
													B	Upholstered HDF					

## Reception counters, internal low unit corner height 720 mm, depth 800 mm

										Melamine + 1							
										NNA	NNB						
<b>W</b>	<b>N</b>	<b>L</b>	<b>V</b>	<b>W</b>	<b>L</b>	<b>9</b>	<b>0</b>	<b>8</b>	<b>N</b>	<b>N</b>	<b>N</b>	<b>A</b>	<b>N</b>	angle 90°, external dimensions: 800 × 800 mm		181	193
										In corner units, internal parts upholstery is not possible							
										Bottom outside							
Without outlet for cables											<b>N</b>						
Left outlet for cables											<b>L</b>						
Right outlet for cables											<b>R</b>						
Middle outlet for cables											<b>M</b>						
Left + right outlet for cables										<b>D</b>	<b>A</b>	HDF					
										<b>B</b>	Upholstered HDF						

## Internal high unit corner height 1120 mm, depth 800 mm

										Melamine + 1									
										NAA	NBA	NAB	NBB						
<b>W</b>	<b>N</b>	<b>L</b>	<b>V</b>	<b>W</b>	<b>H</b>	<b>9</b>	<b>0</b>	<b>8</b>	<b>N</b>	<b>N</b>	<b>A</b>	<b>A</b>	<b>N</b>	angle 90°, external dimensions: 800 × 800 mm		240	249	252	262
										In corner units, internal parts upholstery is not possible									
										Top outside									
											Bottom outside								
Without outlet for cables												<b>N</b>							
Left outlet for cables												<b>L</b>							
Right outlet for cables												<b>R</b>							
Middle outlet for cables										<b>M</b>									
Left + right outlet for cables										<b>D</b>	<b>A</b>	HDF							
										<b>B</b>	Upholstered HDF								
										<b>A</b>	HDF								
										<b>B</b>	Upholstered HDF								

# Reception furniture

Reception counters, external low unit corner in HPL laminates, height 720 mm, depth 800 mm

Velum

											<b>Laminate HPL</b>					
											<b>NNA</b>					
<b>W</b>	<b>N</b>	<b>L</b>	<b>V</b>	<b>Z</b>	<b>L</b>	<b>9</b>	<b>0</b>	<b>8</b>	<b>N</b>	<b>N</b>	<b>N</b>	<b>A</b>	<b>Z</b>	angle 90°, external dimensions: 800 × 800 mm		<b>339</b>

External high unit corner in HPL laminates, height 1120 mm, depth 800 mm

											<b>Laminate HPL</b>					
											<b>NNA</b>					
<b>W</b>	<b>N</b>	<b>L</b>	<b>V</b>	<b>Z</b>	<b>H</b>	<b>9</b>	<b>0</b>	<b>8</b>	<b>N</b>	<b>N</b>	<b>A</b>	<b>A</b>	<b>Z</b>	angle 90°, external dimensions: 800 × 800 mm		<b>552</b>

Internal low unit corner in HPL laminates, height 720 mm, depth 800 mm

											<b>Laminate HPL</b>					
<b>W</b>	<b>N</b>	<b>L</b>	<b>V</b>	<b>W</b>	<b>L</b>	<b>9</b>	<b>0</b>	<b>8</b>	<b>N</b>	<b>N</b>	<b>N</b>	<b>A</b>	<b>Z</b>	angle 90°, external dimensions: 800 × 800 mm		<b>310</b>

Internal high unit corner in HPL laminates, height 1120 mm, depth 800 mm

											<b>Laminate HPL</b>					
<b>W</b>	<b>N</b>	<b>L</b>	<b>V</b>	<b>W</b>	<b>H</b>	<b>9</b>	<b>0</b>	<b>8</b>	<b>N</b>	<b>N</b>	<b>A</b>	<b>A</b>	<b>Z</b>	angle 90°, external dimensions: 800 × 800 mm		<b>473</b>

- Without outlet for cables **N**
- Left outlet for cables **L**
- Right outlet for cables **R**
- Middle outlet for cables **M**
- Left + right outlet for cables **D**

# Tento

## TABLE OF CONTENTS

<b>Technical description</b>	<b>369</b>
Tento cabinets	370
<b>Price list</b>	<b>371</b>
Cabinets	371-374

# Technical

**description**

# Description

## 1. Tento cabinets

Six types of cabinets are available: cabinets with sliding doors, tambour doors and hinged board doors, wardrobe cabinets, combi cabinets and open-shelf cabinets.

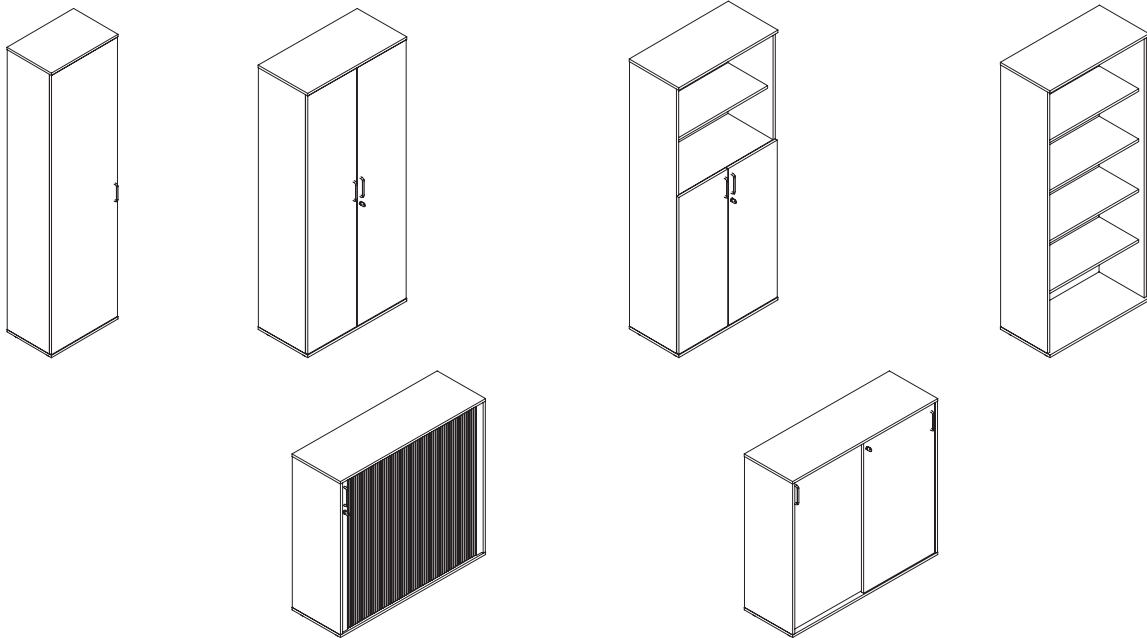
Cabinets are entirely made from fine chipboard, melamine-coated on both sides, thickness 18 mm. Visible narrow edges are covered with ABS 1 mm edge banding, while the remaining edges are protected with 0,4 mm Standotron edge banding.

- Available optional types of cabinet back finish:
- backs made from HDF, lacquered grey on one side, thickness 2,5 mm
  - backs made from fine chipboard, melamine-coated on both sides, thickness 12 mm, the colour of the carcass. Cabinets with fine chipboard back can be used to divide space independently.

Available optional types of cabinet front finish:

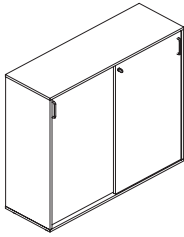
- board fronts made from melamine-coated fine chipboard, thickness 18 mm, narrow edges covered with ABS 1 mm edge banding
  - tambour fronts made from plastic (PP) in grey.
- Shelf joints protect shelves from accidental slipping off from the cabinet. Visible narrow edges of shelves are covered with ABS 2 mm edge banding, while the remaining edges are protected with 0,4 mm Standotron edge banding. Shelf position can be adjusted to five levels every 32 mm. Standard shelf thickness is 18 mm; 25 mm thick fine chipboard shelf (all edges covered with ABS 2 mm edge banding) is available optionally.

Quick assembly concealed hinges with easy adjustment and soft close system are available as an extra option (hinge opening angle 110°). Cabinets are fitted with a lock and a door latch, forming a three-point bolting system. A square lock with two keys, exchangeable cylinder and one master key comes as a standard feature. Wardrobe cabinets are an exception as they come without a lock as a standard feature. The cabinet has glides for levelling it from the inside.

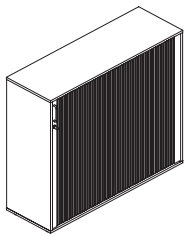




Sliding door cabinets, width 1200 mm, depth 400 mm

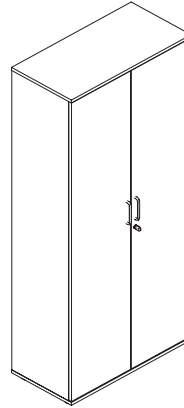
											<b>P</b> Melamine chipboard shelf (standard)					
											<b>G</b> 25 mm melamine chipboard shelf, surcharge of 6 EUR/ 1 level					
													<b>melamine + 1</b>			
<b>W</b>	<b>N</b>	<b>N</b>	<b>S</b>	<b>S</b>	<b>1</b>	<b>2</b>	<b>1</b>	<b>N</b>	<b>P</b>	<b>A</b>	<b>N</b>	<b>N</b>	<b>N</b>		1,50H (740mm)	180
<b>W</b>	<b>N</b>	<b>N</b>	<b>S</b>	<b>S</b>	<b>1</b>	<b>2</b>	<b>1</b>	<b>N</b>	<b>P</b>	<b>A</b>	<b>N</b>	<b>M</b>	<b>N</b>		200	
<b>W</b>	<b>N</b>	<b>N</b>	<b>S</b>	<b>S</b>	<b>1</b>	<b>2</b>	<b>2</b>	<b>N</b>	<b>P</b>	<b>A</b>	<b>N</b>	<b>N</b>	<b>N</b>		20H (825mm)	186
<b>W</b>	<b>N</b>	<b>N</b>	<b>S</b>	<b>S</b>	<b>1</b>	<b>2</b>	<b>2</b>	<b>N</b>	<b>P</b>	<b>A</b>	<b>N</b>	<b>M</b>	<b>N</b>		207	
<b>W</b>	<b>N</b>	<b>N</b>	<b>S</b>	<b>S</b>	<b>1</b>	<b>2</b>	<b>3</b>	<b>N</b>	<b>P</b>	<b>A</b>	<b>N</b>	<b>N</b>	<b>N</b>		30H (1155mm)	230
<b>W</b>	<b>N</b>	<b>N</b>	<b>S</b>	<b>S</b>	<b>1</b>	<b>2</b>	<b>3</b>	<b>N</b>	<b>P</b>	<b>A</b>	<b>N</b>	<b>M</b>	<b>N</b>		253	
											<b>N</b>	Back - chipboard HDF 2,5 mm (one side laquered chipboard in grey colour)				
											<b>M</b>	Back - chipboard 12 mm				

Tambour cabinets, width 1200 mm, depth 400 mm

											<b>L P</b> Melamine chipboard shelf (standard)					
											<b>R G</b> 25 mm melamine chipboard shelf, surcharge of 6 EUR/ 1 level					
													<b>melamine + 1</b>			
<b>W</b>	<b>N</b>	<b>N</b>	<b>S</b>	<b>T</b>	<b>1</b>	<b>2</b>	<b>1</b>	<b>L</b>	<b>P</b>	<b>A</b>	<b>N</b>	<b>N</b>	<b>Z</b>		1,50H (740mm)	260
<b>W</b>	<b>N</b>	<b>N</b>	<b>S</b>	<b>T</b>	<b>1</b>	<b>2</b>	<b>1</b>	<b>L</b>	<b>P</b>	<b>A</b>	<b>M</b>	<b>N</b>	<b>Z</b>		280	
<b>W</b>	<b>N</b>	<b>N</b>	<b>S</b>	<b>T</b>	<b>1</b>	<b>2</b>	<b>2</b>	<b>L</b>	<b>P</b>	<b>A</b>	<b>N</b>	<b>N</b>	<b>Z</b>		20H (825mm)	266
<b>W</b>	<b>N</b>	<b>N</b>	<b>S</b>	<b>T</b>	<b>1</b>	<b>2</b>	<b>2</b>	<b>L</b>	<b>P</b>	<b>A</b>	<b>N</b>	<b>M</b>	<b>Z</b>		287	
<b>W</b>	<b>N</b>	<b>N</b>	<b>S</b>	<b>T</b>	<b>1</b>	<b>2</b>	<b>3</b>	<b>L</b>	<b>P</b>	<b>A</b>	<b>N</b>	<b>N</b>	<b>Z</b>		30H (1155mm)	337
<b>W</b>	<b>N</b>	<b>N</b>	<b>S</b>	<b>T</b>	<b>1</b>	<b>2</b>	<b>3</b>	<b>L</b>	<b>P</b>	<b>A</b>	<b>N</b>	<b>M</b>	<b>Z</b>		366	
											<b>N</b>	Back - chipboard HDF 2,5 mm (one side laquered chipboard in grey colour)				
											<b>M</b>	Back - chipboard 12 mm				

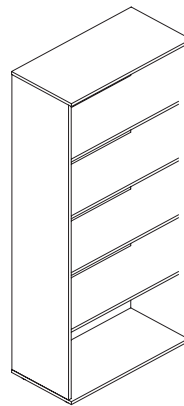
## Hinged door cabinets, width 800 mm, depth 400 mm

											<b>melamine + 1</b>				
											<b>P</b>	Melamine chipboard shelf (standard)			
											<b>G</b>	25 mm melamine chipboard shelf, surcharge of 4 EUR/ 1 shelf			
<b>W</b>	<b>N</b>	<b>N</b>	<b>S</b>	<b>W</b>	<b>0</b>	<b>8</b>	<b>1</b>	<b>N</b>	<b>P</b>	<b>A</b>	<b>N</b>	<b>N</b>	<b>N</b>	1,5OH (740 mm)	122
<b>W</b>	<b>N</b>	<b>N</b>	<b>S</b>	<b>W</b>	<b>0</b>	<b>8</b>	<b>1</b>	<b>N</b>	<b>P</b>	<b>A</b>	<b>N</b>	<b>M</b>	<b>N</b>	20H (825 mm)	132
<b>W</b>	<b>N</b>	<b>N</b>	<b>S</b>	<b>W</b>	<b>0</b>	<b>8</b>	<b>2</b>	<b>N</b>	<b>P</b>	<b>A</b>	<b>N</b>	<b>N</b>	<b>N</b>	2OH (825 mm)	129
<b>W</b>	<b>N</b>	<b>N</b>	<b>S</b>	<b>W</b>	<b>0</b>	<b>8</b>	<b>2</b>	<b>N</b>	<b>P</b>	<b>A</b>	<b>N</b>	<b>M</b>	<b>N</b>	30H (1155 mm)	141
<b>W</b>	<b>N</b>	<b>N</b>	<b>S</b>	<b>W</b>	<b>0</b>	<b>8</b>	<b>3</b>	<b>N</b>	<b>P</b>	<b>A</b>	<b>N</b>	<b>N</b>	<b>N</b>	3OH (1155 mm)	154
<b>W</b>	<b>N</b>	<b>N</b>	<b>S</b>	<b>W</b>	<b>0</b>	<b>8</b>	<b>3</b>	<b>N</b>	<b>P</b>	<b>A</b>	<b>N</b>	<b>M</b>	<b>N</b>	40H (1545 mm)	173
<b>W</b>	<b>N</b>	<b>N</b>	<b>S</b>	<b>W</b>	<b>0</b>	<b>8</b>	<b>4</b>	<b>N</b>	<b>P</b>	<b>A</b>	<b>N</b>	<b>N</b>	<b>N</b>	4OH (1545 mm)	196
<b>W</b>	<b>N</b>	<b>N</b>	<b>S</b>	<b>W</b>	<b>0</b>	<b>8</b>	<b>4</b>	<b>N</b>	<b>P</b>	<b>A</b>	<b>N</b>	<b>M</b>	<b>N</b>	50H (1895 mm)	227
<b>W</b>	<b>N</b>	<b>N</b>	<b>S</b>	<b>W</b>	<b>0</b>	<b>8</b>	<b>5</b>	<b>N</b>	<b>P</b>	<b>A</b>	<b>N</b>	<b>N</b>	<b>N</b>	5OH (1895 mm)	229
<b>W</b>	<b>N</b>	<b>N</b>	<b>S</b>	<b>W</b>	<b>0</b>	<b>8</b>	<b>5</b>	<b>N</b>	<b>P</b>	<b>A</b>	<b>N</b>	<b>M</b>	<b>N</b>	60H (2225 mm)	264
<b>W</b>	<b>N</b>	<b>N</b>	<b>S</b>	<b>W</b>	<b>0</b>	<b>8</b>	<b>6</b>	<b>N</b>	<b>P</b>	<b>A</b>	<b>N</b>	<b>N</b>	<b>N</b>	6OH (2225 mm)	255
<b>W</b>	<b>N</b>	<b>N</b>	<b>S</b>	<b>W</b>	<b>0</b>	<b>8</b>	<b>6</b>	<b>N</b>	<b>P</b>	<b>A</b>	<b>N</b>	<b>M</b>	<b>N</b>	6OH (2225 mm)	290
											<b>N</b>	Back - chipboard HDF 2,5 mm (one side laquered chipboard in grey colour)			
											<b>M</b>	Back - chipboard 12mm			
											<b>N</b>	Without „soft-close“ system			
											<b>S</b>	With „soft-close“ system, 2-3OH surcharge 6 EUR, 4-6OH surcharge 11 EUR			



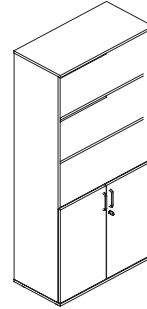
## Open cabinets, width 800 mm, depth 400 mm

											<b>melamine + 1</b>				
											<b>P</b>	Melamine chipboard shelf (standard)			
											<b>G</b>	25 mm melamine chipboard shelf, surcharge of 4 EUR/ 1 shelf			
<b>W</b>	<b>N</b>	<b>N</b>	<b>S</b>	<b>N</b>	<b>0</b>	<b>8</b>	<b>1</b>	<b>N</b>	<b>P</b>	<b>N</b>	<b>N</b>	<b>N</b>	<b>N</b>	1,5OH (740 mm)	80
<b>W</b>	<b>N</b>	<b>N</b>	<b>S</b>	<b>N</b>	<b>0</b>	<b>8</b>	<b>1</b>	<b>N</b>	<b>P</b>	<b>N</b>	<b>N</b>	<b>M</b>	<b>N</b>	20H (825 mm)	90
<b>W</b>	<b>N</b>	<b>N</b>	<b>S</b>	<b>N</b>	<b>0</b>	<b>8</b>	<b>2</b>	<b>N</b>	<b>P</b>	<b>N</b>	<b>N</b>	<b>N</b>	<b>N</b>	2OH (825 mm)	87
<b>W</b>	<b>N</b>	<b>N</b>	<b>S</b>	<b>N</b>	<b>0</b>	<b>8</b>	<b>2</b>	<b>N</b>	<b>P</b>	<b>N</b>	<b>N</b>	<b>M</b>	<b>N</b>	30H (1155 mm)	98
<b>W</b>	<b>N</b>	<b>N</b>	<b>S</b>	<b>N</b>	<b>0</b>	<b>8</b>	<b>3</b>	<b>N</b>	<b>P</b>	<b>N</b>	<b>N</b>	<b>N</b>	<b>N</b>	3OH (1155 mm)	107
<b>W</b>	<b>N</b>	<b>N</b>	<b>S</b>	<b>N</b>	<b>0</b>	<b>8</b>	<b>3</b>	<b>N</b>	<b>P</b>	<b>N</b>	<b>N</b>	<b>M</b>	<b>N</b>	40H (1545 mm)	124
<b>W</b>	<b>N</b>	<b>N</b>	<b>S</b>	<b>N</b>	<b>0</b>	<b>8</b>	<b>4</b>	<b>N</b>	<b>P</b>	<b>N</b>	<b>N</b>	<b>N</b>	<b>N</b>	4OH (1545 mm)	134
<b>W</b>	<b>N</b>	<b>N</b>	<b>S</b>	<b>N</b>	<b>0</b>	<b>8</b>	<b>4</b>	<b>N</b>	<b>P</b>	<b>N</b>	<b>N</b>	<b>M</b>	<b>N</b>	50H (1895 mm)	167
<b>W</b>	<b>N</b>	<b>N</b>	<b>S</b>	<b>N</b>	<b>0</b>	<b>8</b>	<b>5</b>	<b>N</b>	<b>P</b>	<b>N</b>	<b>N</b>	<b>N</b>	<b>N</b>	5OH (1895 mm)	156
<b>W</b>	<b>N</b>	<b>N</b>	<b>S</b>	<b>N</b>	<b>0</b>	<b>8</b>	<b>5</b>	<b>N</b>	<b>P</b>	<b>N</b>	<b>N</b>	<b>M</b>	<b>N</b>	60H (2225 mm)	188
<b>W</b>	<b>N</b>	<b>N</b>	<b>S</b>	<b>N</b>	<b>0</b>	<b>8</b>	<b>6</b>	<b>N</b>	<b>P</b>	<b>N</b>	<b>N</b>	<b>N</b>	<b>N</b>	6OH (2225 mm)	176
<b>W</b>	<b>N</b>	<b>N</b>	<b>S</b>	<b>N</b>	<b>0</b>	<b>8</b>	<b>6</b>	<b>N</b>	<b>P</b>	<b>N</b>	<b>N</b>	<b>M</b>	<b>N</b>	6OH (2225 mm)	211
											<b>N</b>	Back - chipboard HDF 2,5 mm (one side laquered chipboard in grey colour)			
											<b>M</b>	Back - chipboard 12mm			



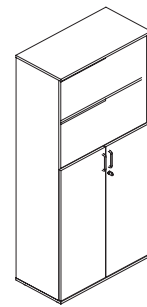
Combi cabinets (2 OH hinged door cabinet + open cabinet),  
width 800 mm, depth 400 mm

											<b>melamine + 1</b>	<b>set of cabinet + open cabinet [OH]</b>			
<b>P</b>	Melamine chipboard shelf (standard)														
<b>G</b>	25 mm melamine chipboard shelf, surcharge of 4 EUR/ 1 shelf														
<b>W</b>	<b>N</b>	<b>N</b>	<b>S</b>	<b>B</b>	<b>0</b>	<b>8</b>	<b>3</b>	<b>N</b>	<b>P</b>	<b>A</b>	<b>N</b>	<b>N</b>	3 OH (1155 mm)	150	2+1
<b>W</b>	<b>N</b>	<b>N</b>	<b>S</b>	<b>B</b>	<b>0</b>	<b>8</b>	<b>3</b>	<b>N</b>	<b>P</b>	<b>A</b>	<b>N</b>	<b>M</b>			
<b>W</b>	<b>N</b>	<b>N</b>	<b>S</b>	<b>B</b>	<b>0</b>	<b>8</b>	<b>4</b>	<b>N</b>	<b>P</b>	<b>A</b>	<b>N</b>	<b>N</b>	4 OH (1545 mm)	168	2+2
<b>W</b>	<b>N</b>	<b>N</b>	<b>S</b>	<b>B</b>	<b>0</b>	<b>8</b>	<b>4</b>	<b>N</b>	<b>P</b>	<b>A</b>	<b>N</b>	<b>M</b>			
<b>W</b>	<b>N</b>	<b>N</b>	<b>S</b>	<b>B</b>	<b>0</b>	<b>8</b>	<b>5</b>	<b>N</b>	<b>P</b>	<b>A</b>	<b>N</b>	<b>N</b>	5 OH (1895 mm)	176	2+3
<b>W</b>	<b>N</b>	<b>N</b>	<b>S</b>	<b>B</b>	<b>0</b>	<b>8</b>	<b>5</b>	<b>N</b>	<b>P</b>	<b>A</b>	<b>N</b>	<b>M</b>			
<b>W</b>	<b>N</b>	<b>N</b>	<b>S</b>	<b>B</b>	<b>0</b>	<b>8</b>	<b>5</b>	<b>N</b>	<b>P</b>	<b>A</b>	<b>N</b>	<b>N</b>	6 OH (2225 mm)	208	2+4
<b>W</b>	<b>N</b>	<b>N</b>	<b>S</b>	<b>B</b>	<b>0</b>	<b>8</b>	<b>5</b>	<b>N</b>	<b>P</b>	<b>A</b>	<b>N</b>	<b>M</b>			
<b>W</b>	<b>N</b>	<b>N</b>	<b>S</b>	<b>B</b>	<b>0</b>	<b>8</b>	<b>6</b>	<b>N</b>	<b>P</b>	<b>A</b>	<b>N</b>	<b>N</b>		203	2+3
<b>W</b>	<b>N</b>	<b>N</b>	<b>S</b>	<b>B</b>	<b>0</b>	<b>8</b>	<b>6</b>	<b>N</b>	<b>P</b>	<b>A</b>	<b>N</b>	<b>M</b>			
<b>W</b>	<b>N</b>	<b>N</b>	<b>S</b>	<b>B</b>	<b>0</b>	<b>8</b>	<b>6</b>	<b>N</b>	<b>P</b>	<b>A</b>	<b>N</b>	<b>N</b>		225	2+4
<b>W</b>	<b>N</b>	<b>N</b>	<b>S</b>	<b>B</b>	<b>0</b>	<b>8</b>	<b>6</b>	<b>N</b>	<b>P</b>	<b>A</b>	<b>N</b>	<b>M</b>			
<b>W</b>	<b>N</b>	<b>N</b>	<b>S</b>	<b>B</b>	<b>0</b>	<b>8</b>	<b>6</b>	<b>N</b>	<b>P</b>	<b>A</b>	<b>N</b>	<b>M</b>		260	
											<b>N</b>	Back - chipboard HDF 2,5 mm (one side laquered chipboard in grey colour)			
											<b>M</b>	Back - chipboard 12 mm			
											<b>N</b>	Without „soft-close“ system			
											<b>S</b>	With „soft-close“ system, surcharge 6 EUR			



Combi cabinets (3 OH hinged door cabinet + open cabinet),  
width 800 mm, depth 400 mm

											<b>melamine + 1</b>	<b>set of cabinet + open cabinet [OH]</b>			
<b>P</b>	Melamine chipboard shelf (standard)														
<b>G</b>	25 mm melamine chipboard shelf, surcharge of 4 EUR/ 1 shelf														
<b>W</b>	<b>N</b>	<b>N</b>	<b>S</b>	<b>C</b>	<b>0</b>	<b>8</b>	<b>4</b>	<b>N</b>	<b>P</b>	<b>A</b>	<b>N</b>	<b>N</b>	4 OH (1545 mm)	182	3+1
<b>W</b>	<b>N</b>	<b>N</b>	<b>S</b>	<b>C</b>	<b>0</b>	<b>8</b>	<b>4</b>	<b>N</b>	<b>P</b>	<b>A</b>	<b>N</b>	<b>M</b>			
<b>W</b>	<b>N</b>	<b>N</b>	<b>S</b>	<b>C</b>	<b>0</b>	<b>8</b>	<b>5</b>	<b>N</b>	<b>P</b>	<b>A</b>	<b>N</b>	<b>N</b>	5 OH (1895 mm)	214	3+2
<b>W</b>	<b>N</b>	<b>N</b>	<b>S</b>	<b>C</b>	<b>0</b>	<b>8</b>	<b>5</b>	<b>N</b>	<b>P</b>	<b>A</b>	<b>N</b>	<b>M</b>			
<b>W</b>	<b>N</b>	<b>N</b>	<b>S</b>	<b>C</b>	<b>0</b>	<b>8</b>	<b>5</b>	<b>N</b>	<b>P</b>	<b>A</b>	<b>N</b>	<b>N</b>	6 OH (2225 mm)	209	3+3
<b>W</b>	<b>N</b>	<b>N</b>	<b>S</b>	<b>C</b>	<b>0</b>	<b>8</b>	<b>5</b>	<b>N</b>	<b>P</b>	<b>A</b>	<b>N</b>	<b>M</b>			
<b>W</b>	<b>N</b>	<b>N</b>	<b>S</b>	<b>C</b>	<b>0</b>	<b>8</b>	<b>6</b>	<b>N</b>	<b>P</b>	<b>A</b>	<b>N</b>	<b>N</b>		244	3+1
<b>W</b>	<b>N</b>	<b>N</b>	<b>S</b>	<b>C</b>	<b>0</b>	<b>8</b>	<b>6</b>	<b>N</b>	<b>P</b>	<b>A</b>	<b>N</b>	<b>M</b>			
<b>W</b>	<b>N</b>	<b>N</b>	<b>S</b>	<b>C</b>	<b>0</b>	<b>8</b>	<b>6</b>	<b>N</b>	<b>P</b>	<b>A</b>	<b>N</b>	<b>N</b>		231	3+2
<b>W</b>	<b>N</b>	<b>N</b>	<b>S</b>	<b>C</b>	<b>0</b>	<b>8</b>	<b>6</b>	<b>N</b>	<b>P</b>	<b>A</b>	<b>N</b>	<b>M</b>			
<b>W</b>	<b>N</b>	<b>N</b>	<b>S</b>	<b>C</b>	<b>0</b>	<b>8</b>	<b>6</b>	<b>N</b>	<b>P</b>	<b>A</b>	<b>N</b>	<b>M</b>		266	
											<b>N</b>	Back - chipboard HDF 2,5 mm (one side laquered chipboard in grey colour)			
											<b>M</b>	Back - chipboard 12 mm			
											<b>N</b>	Without „soft-close“ system			
											<b>S</b>	With „soft-close“ system, surcharge 6 EUR			



## Wardrobe cabinets, width 600 mm, depth 400 mm

										<b>melamine + 1</b>					
<b>L</b>	Left cabinet (on the drawing)														
<b>R</b>	Right cabinet														
<b>P</b>	Melamine chipboard shelf (standard)														
<b>G</b>	25 mm melamine chipboard shelf, surcharge of 4 EUR/1 shelf														
<b>W</b>	<b>N</b>	<b>N</b>	<b>S</b>	<b>U</b>	<b>0</b>	<b>6</b>	<b>5</b>	<b>L</b>	<b>P</b>	<b>A</b>	<b>N</b>	<b>N</b>	<b>N</b>	5 OH (1895 mm)	156
<b>W</b>	<b>N</b>	<b>N</b>	<b>S</b>	<b>U</b>	<b>0</b>	<b>6</b>	<b>5</b>	<b>L</b>	<b>P</b>	<b>A</b>	<b>N</b>	<b>M</b>	<b>N</b>	5 OH (1895 mm)	192
<b>W</b>	<b>N</b>	<b>N</b>	<b>S</b>	<b>U</b>	<b>0</b>	<b>6</b>	<b>6</b>	<b>L</b>	<b>P</b>	<b>A</b>	<b>N</b>	<b>N</b>	<b>N</b>	6 OH (2225 mm)	172
<b>W</b>	<b>N</b>	<b>N</b>	<b>S</b>	<b>U</b>	<b>0</b>	<b>6</b>	<b>6</b>	<b>L</b>	<b>P</b>	<b>A</b>	<b>N</b>	<b>M</b>	<b>N</b>	6 OH (2225 mm)	207
										<b>N</b>		Back - chipboard HDF 2,5 mm (one side laquered chipboard in grey colour)			
										<b>M</b>		Back - chipboard 12 mm			
										<b>N</b>		Without „soft-close” system			
										<b>S</b>		With „soft-close” system, surcharge 6 EUR			

## Width 800 mm, depth 600 mm

										<b>melamine + 1</b>					
<b>P</b>	Melamine chipboard shelf (standard)														
<b>G</b>	25 mm melamine chipboard shelf, surcharge of 6 EUR/1 shelf														
<b>W</b>	<b>N</b>	<b>N</b>	<b>S</b>	<b>L</b>	<b>0</b>	<b>8</b>	<b>5</b>	<b>N</b>	<b>P</b>			<b>A</b>	<b>N</b>	<b>N</b>	<b>N</b>
<b>W</b>	<b>N</b>	<b>N</b>	<b>S</b>	<b>L</b>	<b>0</b>	<b>8</b>	<b>5</b>	<b>N</b>	<b>P</b>	<b>A</b>	<b>N</b>	<b>M</b>	<b>N</b>	5 OH (1895 mm)	250
<b>W</b>	<b>N</b>	<b>N</b>	<b>S</b>	<b>L</b>	<b>0</b>	<b>8</b>	<b>6</b>	<b>N</b>	<b>P</b>	<b>A</b>	<b>N</b>	<b>N</b>	<b>N</b>	6 OH (2225 mm)	232
<b>W</b>	<b>N</b>	<b>N</b>	<b>S</b>	<b>L</b>	<b>0</b>	<b>8</b>	<b>6</b>	<b>N</b>	<b>P</b>	<b>A</b>	<b>N</b>	<b>M</b>	<b>N</b>	6 OH (2225 mm)	267
										<b>N</b>		Back - chipboard HDF 2,5 mm (one side laquered chipboard in grey colour)			
										<b>M</b>		Back - chipboard 12 mm			
										<b>N</b>		Without „soft-close” system			
										<b>S</b>		With „soft-close” system, surcharge 11 EUR			

# Sileo

## TABLE OF CONTENTS

<b>Technical description</b>	<b>377</b>
Wall panels	378
Suspended ceiling panels	378
Suspended ceiling panel – vertical	378
Suspended ceiling panel – island	379
Panel for desks and workbenches A+ and I+	379
Accessories for the organiser strip	380
Mobile panel	380
<b>How to order</b>	<b>381</b>
Sileo wall panel	382
Sileo ceiling suspended panel	383
Sileo ceiling suspended panel – vertical	383
Sileo ceiling suspended panel – island	383
Sileo panel for a desk/workbench	384
Sileo mobile panel	385
<b>Price list</b>	<b>387</b>
Panels	388–390
Accessories	391



A line of products with acoustic properties confirmed by tests carried out in certified institutions.

# Technical

**description**

Sileo is a comprehensive line of sound-absorbing panels designed for an acoustic adaptation of an office. The line comprises products that have diverse applications and assembly methods.

By implementing the panels separately or in configurations, depending on an interior character and our needs, we can take a thorough care of the users' acoustic comfort in an office.

## 1. Wall panels

The Sileo sound-absorbing wall panel is used to reduce the echo effect in offices of any capacity. The wall panels are available as one-colour or two-colour versions with a splice within one fabric, which allows for creating many different decorative colour arrangements. The panels are designed to be assembled at a wall at approximately 10 mm intervals. A template attached to the set facilitates the assembly process. The structure of the 58 mm thick panel

consists of a chipboard carcass and a filling made of a polyester non-woven fabric. The carcass frame is made of chipboard.

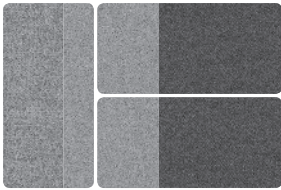
The sound-absorbing filling – the polyester non-woven fabric is a light, hardly flammable, antiallergic and eco-friendly material. The polyester non-woven fabric is made of 85% recycled fibres. The panel is upholstered with a fabric. Thanks to its structure, it is pinnable. The panels are attached to a wall using four

handles that ensure the right panel levelling.

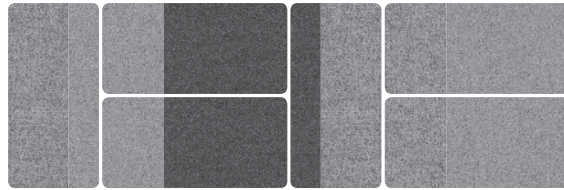
The panels are available as horizontal or vertical in a few upholstery versions:

- one-colour panel,
- two-colour panel with a fabric splice 1/3 left side, 2/3 right side,
- two-colour panel with a fabric splice 2/3 left side, 1/3 right side.

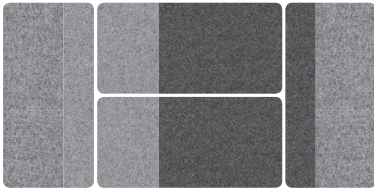
Arrangement S1-3 panels



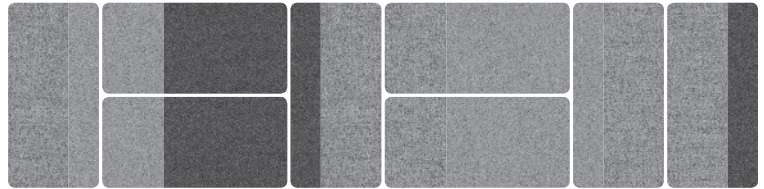
Arrangement S3-6 panels



Arrangement S2-4 panels



Arrangement S4-8 panels



## 2. Suspended ceiling panels

Sileo light sound-absorbing panels suspended from the ceiling reduce the reverberation time and improve other acoustic parameters – for example, they lower the noise level and increase intelligibility of speech. They can also serve as an alternative to a suspended ceiling, improving acoustic conditions in rooms with open ceilings. The vertical suspended panel can be used to divide the office space into particular zones, both acoustically and visually.

The suspended ceiling panels product range includes vertical and horizontal panels. The upper panels always have to be assembled to a ceiling slab; they cannot be assembled to suspended ceilings.

### 2.1 Suspended ceiling panel – vertical

The panel is available as a single option or as a set consisting of two or three panels of the same size that are attached to each other and used to create

harmonious arrangements. The structure of the 40 mm-thick panel includes a self-supporting mould made of pressed polyester fibres inside a cover made of a high-quality upholstery fabric. The panel is attached to a ceiling using kits of silver steel lines that are available in adjustable lengths – max. 3000 mm. The kit comprises an upper fitting that can be assembled with the use of rawlplugs. The panels included in a set are



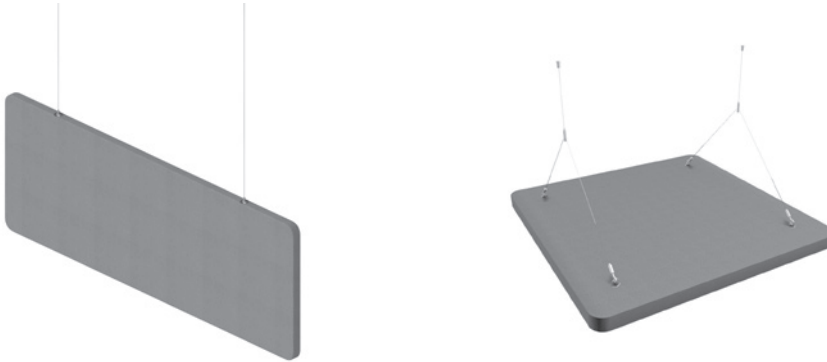
joined together using kits of lines available at a fixed length of 150 mm.

## 2.2 Suspended ceiling panel – island

The panel is available as a square version.

The structure of the 40 mm-thick panel includes a self-supporting mould made of pressed polyester fibres inside a cover made of a high-quality upholstery fabric. The panel is attached to a ceiling using kits of silver steel lines that are

available in adjustable lengths – max. 3000 mm. The kit comprises an upper fitting that can be assembled with the use of rawlplugs.



## 3. Panel for desks and workbenches A+ and I+

The sound-absorbing panel for desks and workbenches A+ (Absorption+) is a functional and durable acoustic panel with increased sound-absorbing properties. The panel is a perfect solution for offices based on the open space concept where employees perform different tasks that require cooperation (short meetings, telephone conversations) or concentration (undisturbed individual work). It can also be used to equip workstations in hot desk zones.

The sound-absorbing panel for desks and workbenches I+ (Isolation+) is an acoustic panel with increased sound-isolating properties. It is characterised by durability and functionality. Thanks to the combination of sound-absorbing and sound-isolating properties, the panel is a perfect solution for offices where employees

perform their work loudly, e.g. they hold many telephone conversations. This solution will also improve work comfort in call centre offices.

The 58 mm thick panels have a frame structure made of beech plywood and solid wood.

There is a special board with perforation placed inside the carcass axis of the A+ panel that increases sound-absorbing properties of the arrangement. The axis of the I+ panel includes a solid board that acts as a sound-isolating barrier.

The sound-absorbing filling of the A+ and I+ panels is made of a polyester non-woven fabric – a light, hardly flammable, antiallergic and eco-friendly material. The polyester non-woven fabric is made of 85% recycled fibres. The panels are upholstered with a fabric.

The panels are assembled to the frame of a desk and a workbench using metal handles.

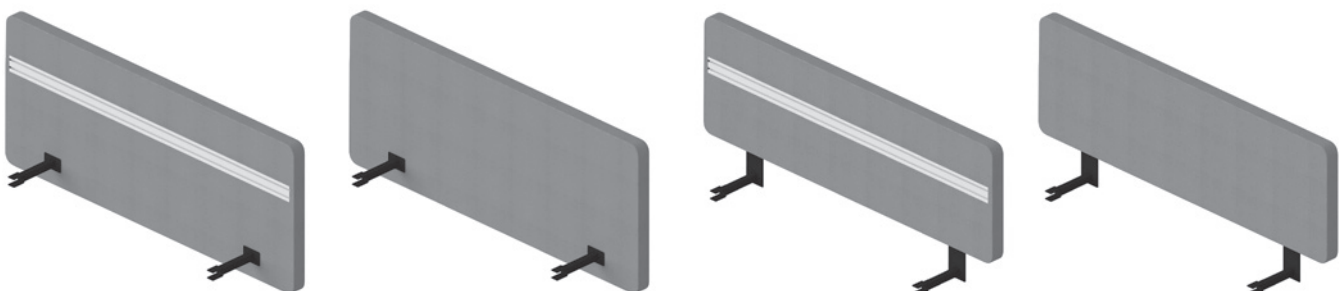
The panel can be optionally equipped with an organiser strip used for hanging accessories. The strip can be assembled on one side or two sides of panels. It is available in white.

The maximum load of the organiser strip is 10 kg.

Total height of the desk panel is 660 mm.

After assembling, its upper edge is located 530 mm over the desktop. Total height of the workbench panel is 520 mm. After assembling, its upper edge is 530 mm over the desktop.

The panels are available with assembly handles for the Play&Work and SQart desks and workbenches without height adjustment (workbench with the sliding top).

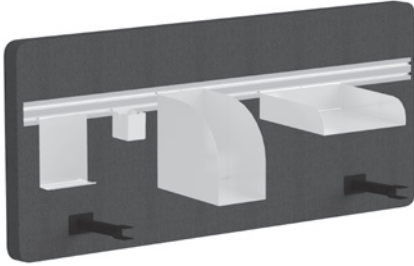


## 4. Accessories for the organiser strip

The organiser strip is available as an optional equipment of desk and workbench panels. It allows for hanging different accessories that facilitate the process of organising a workstation.

The following accessories are available: a horizontal document (A4) shelf, a binder shelf,

a magnetic board with a pencil tray, a pencil box, a screen handle. The accessories are made of powder-coated metal. The organiser strip is available in white only.



## 5. Mobile panel

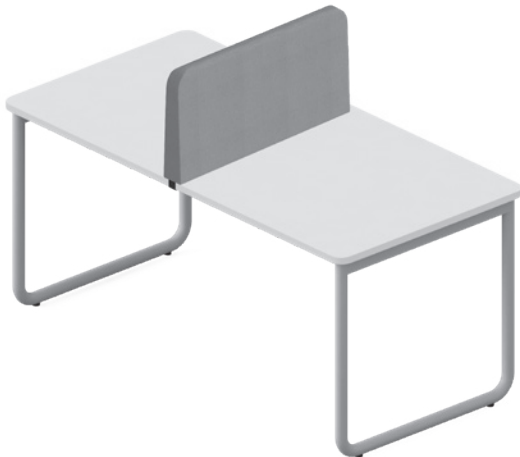
The light mobile panel designed to be put on a desktop is a practical solution that meets the current needs of a flexible office space arrangement. It allows for sectioning off working areas at a workbench and at desks arranged in a row acoustically and visually. It also helps organise a comfortable working area at a conference table. The panel increases the feeling of privacy and acoustic comfort, which is necessary

for performing undisturbed work. It can also be used as a side panel (using a removable desktop handle for greater stability) or as a fully mobile solution (after removing the handle).

The panel base is made of beech plywood with a metal weight. The panel carcass is made of milled foam of the right density which ensures the panel stability.

The panel is equipped with a removable handle – a 25 mm thick clamping ring that is pushed onto a desktop. The panel is upholstered with a fabric.

The panel height (without the handle) is 400 mm. The panel thickness in its bottom part is 65 mm. The handle is available in the following colours: WHITE, BLACK, ALU.



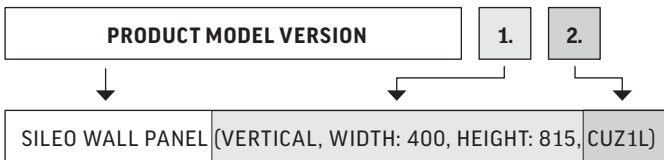
# How to order

## 1. Sileo wall panel

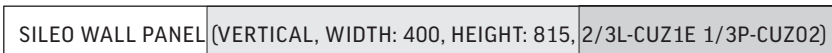
Define the following values:

Product model version	Sileo wall panel		
1. Total width/total height	WIDTH: 600, HEIGHT: 1215		
	WIDTH: 400, HEIGHT: 815		
	WIDTH: 815, HEIGHT: 400		
	WIDTH: 1215, HEIGHT: 600		
2. Colour concept	one-colour	two-colour 1/3 left side   2/3 right side	two-colour 2/3 left side   1/3 right side
	Upholstery fabric		
	Upholstery fabric - left side		
	Upholstery fabric - right side		

### Creating names



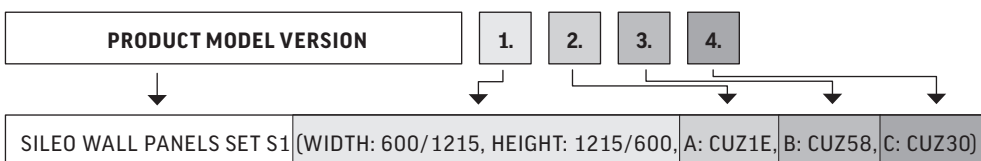
A 400×815 vertical Sileo wall panel, upholstered with the CUZ1L fabric.



A 400×815 vertical Sileo wall panel, upholstered in two colours: 2/3 with the CUZ1E fabric on the left side, 1/3 with the CUZ2 fabric on the right side.

Product model version	Sileo wall panels set		
 s1 <input type="checkbox"/>	 s3 <input type="checkbox"/>		
 s2 <input type="checkbox"/>	 s4 <input type="checkbox"/>		
1. Single panel width×single panel height	400 × 815 / 815 × 400 MM		
	600 × 1215 / 1215 × 600 MM		
2. Upholstery fabric A			
3. Upholstery fabric B			
4. Upholstery fabric C			

### Creating names



A Sileo wall panels set S1, width 600/1215, height 1215/600, upholstered with the CUZ1E, CUZ58 and CUZ30 fabrics.



A Sileo wall panels set S4, width 400/815, height 815/400, upholstered with the CUZ1E, CUZ58 and CUZ30 fabrics.

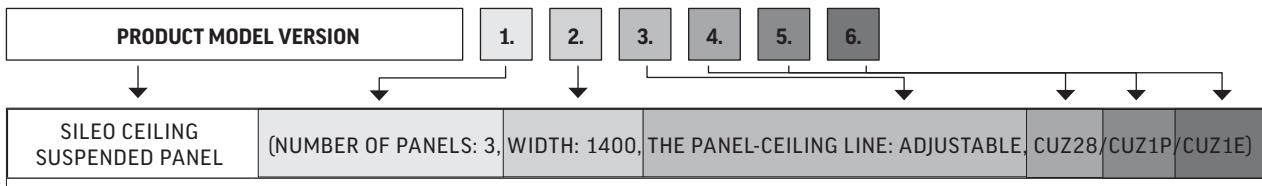
## 2. Sileo ceiling suspended panel

### 2.1 Sileo ceiling suspended panel - vertical

Define the following values:

Product model version	Sileo ceiling suspended panel	
1. Number of panels in a set	1	
	2	
	3	
2. Total width	1200	
	1400	
	1600	
	1800	
3. The panel-ceiling line	adjustable	
4. Upholstery fabric - panel 1		
5. Upholstery fabric - panel 2		
6. Upholstery fabric - panel 3		

#### Creating names



A set of 3 Sileo ceiling suspended panels, width 1400 mm, an adjustable line, 1<sup>st</sup> panel upholstered with the CUZ28 fabric, 2<sup>nd</sup> panel upholstered with the CUZ1P fabric, 3<sup>rd</sup> panel upholstered with the CUZ1E fabric.

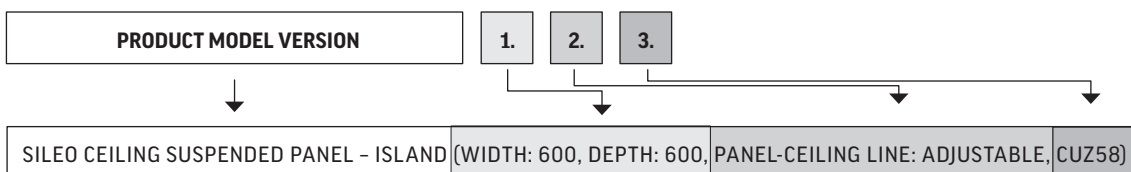
The colours of suspended panels are given starting with the one closest to a ceiling.

### 2.2 Sileo ceiling suspended panel - island

Define the following values:

Product model version	Sileo ceiling suspended panel - island	
1. Total width/total depth	WIDTH: 600, DEPTH: 600	
	WIDTH: 800, DEPTH: 800	
	WIDTH: 1000, DEPTH: 1000	
	WIDTH: 1200, DEPTH: 1200	
2. Panel-ceiling line	adjustable	
3. Upholstery fabric		

#### Creating names



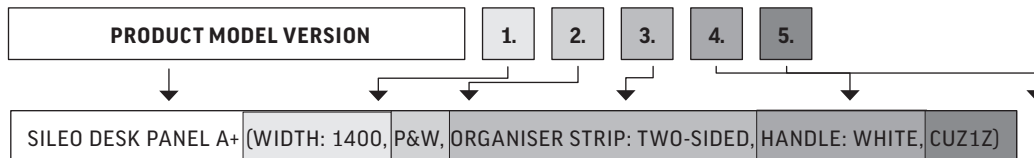
Sileo ceiling suspended panel - island, width 600, depth 600, an adjustable line, panel upholstered with CUZ58 fabric.

### 3. Sileo panel for a desk/workbench

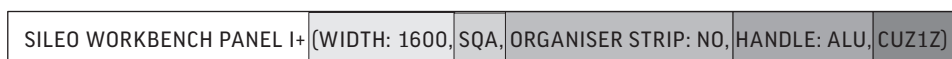
Define the following values:

<b>Product model version</b>	Sileo desk panel A+	
	Sileo desk panel I+	
	Sileo workbench panel A+	
	Sileo workbench panel I+	
1. Total width	1200	
	1400	
	1600	
	1800	
2. For integration with	SQart furniture system (SQA)	
	Play&Work furniture system (P&W)	
3. Organiser strip	–	
	one-sided	
	two-sided	
4. Colour - handle	WHITE	
	ALU	
	BLACK	
5. Upholstery fabric		

#### Creating names



A 1400 wide Sileo desk panel A+, for integration with the Play&Work furniture system, with a two-sided organiser strip, upholstered with the CUZ1Z fabric.



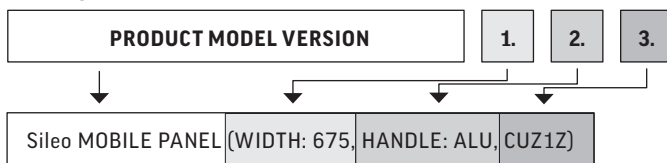
A 1600 wide Sileo workbench panel I+, for integration with the SQart furniture system, without an organiser strip, with a handle in ALU colour, upholstered with the CUZ1Z fabric.

## 4. Sileo mobile panel

Define the following values:

Product model version	Sileo mobile panel	
1. Total width	575	
	675	
	775	
2. Colour - handle	WHITE	
	ALU	
	BLACK	
3. Upholstery fabric		

### Creating names



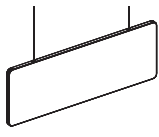
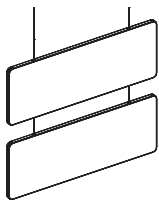
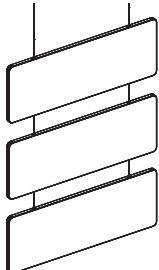
A 675 mm wide Sileo mobile panel, with a handle in ALU colour, upholstered with the CUZ1Z fabric.

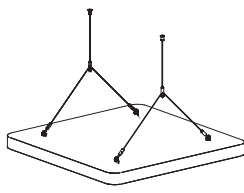


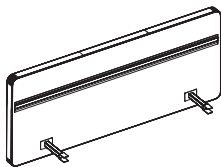
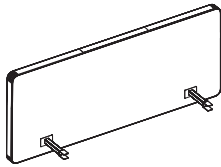


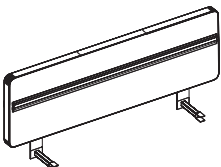
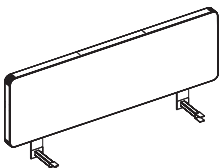
# Price list


SILEO WALL PANEL				
	VARIANT	DIMENSIONS	PRICE GROUP 2 FABRIC	PRICE GROUP 4 FABRIC
	Single panel - horizontal	815 × 400 mm	150	160
		1215 × 600 mm	200	220
	Single panel - vertical	400 × 815 mm	150	160
		600 × 1215 mm	200	220
	Arrangement S1	400 × 815 mm - 1 item 815 × 400 mm - 2 items Total dimensions: 1230 × 815 mm	450	480
		600 × 1215 mm - 1 item 1215 × 600 mm - 2 items Total dimensions: 1830 × 1215 mm	600	660
	Arrangement S2	400 × 815 mm - 2 items 815 × 400 mm - 2 items Total dimensions: 1645 × 815 mm	600	640
		600 × 1215 mm - 2 items 1215 × 600 mm - 2 items Total dimensions: 2445 × 1215 mm	800	880
	Arrangement S3	400 × 815 mm - 2 items 815 × 400 mm - 4 items Total dimensions: 2475 × 815 mm	900	960
		600 × 1215 mm - 2 items 1215 × 600 mm - 4 items Total dimensions: 3675 × 1215 mm	1200	1320
	Arrangement S4	400 × 815 mm - 4 items 815 × 400 mm - 4 items Total dimensions: 3305 × 815 mm	1200	1280
		600 × 1215 mm - 4 items 1215 × 600 mm - 4 items Total dimensions: 4905 × 1215 mm	1600	1760

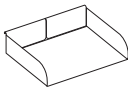
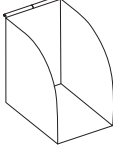
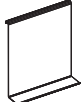
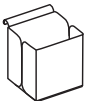
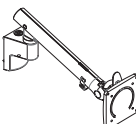
SILEO CEILING SUSPENDED PANEL					
	NUMBER OF ITEMS IN A SET	DIMENSIONS	TOTAL HEIGHT	PRICE GROUP 2 FABRIC	PRICE GROUP 4 FABRIC
	1	1200 × 600 mm	600 mm	265	300
		1400 × 600 mm		290	335
		1600 × 600 mm		315	370
		1800 × 600 mm		340	405
	2	1200 × 600 mm	1350 mm	555	625
		1400 × 600 mm		605	695
		1600 × 600 mm		655	765
		1800 × 600 mm		705	835
	3	1200 × 600 mm	2100 mm	845	950
		1400 × 600 mm		920	1055
		1600 × 600 mm		995	1160
		1800 × 600 mm		1070	1265

SILEO CEILING SUSPENDED PANEL - ISLAND			
	DIMENSIONS	PRICE GROUP 2 FABRIC	PRICE GROUP 4 FABRIC
	600 × 600 mm	195	210
	800 × 800 mm	345	360
	1000 × 1000 mm	495	510
	1200 × 1200 mm	645	660

SILEO DESK PANEL					
 <b>PANEL WITH THE STRIP</b>	PANEL A+				
	DIMENSIONS	PRICE GROUP 2 FABRIC	PRICE GROUP 4 FABRIC	ORGANISER STRIP	
				ONE-SIDED	TWO-SIDED
	1200 × 660 mm	260	300	84	168
	1400 × 660 mm	290	340	96	192
1600 × 660 mm	320	380	108	216	
1800 × 660 mm	350	420	120	240	
 <b>PANEL WITHOUT THE STRIP</b>	PANEL I+				
	DIMENSIONS	PRICE GROUP 2 FABRIC	PRICE GROUP 4 FABRIC	ORGANISER STRIP	
				ONE-SIDED	TWO-SIDED
	1200 × 660 mm	260	300	84	168
	1400 × 660 mm	290	340	96	192
1600 × 660 mm	320	380	108	216	
1800 × 660 mm	350	420	120	240	

SILEO WORKBENCH PANEL					
 <b>PANEL WITH THE STRIP</b>	PANEL A+				
	DIMENSIONS	PRICE GROUP 2 FABRIC	PRICE GROUP 4 FABRIC	ORGANISER STRIP	
				ONE-SIDED	TWO-SIDED
	1200 × 520 mm	255	290	84	168
	1400 × 520 mm	285	330	96	192
1600 × 520 mm	315	370	108	216	
1800 × 520 mm	345	410	120	240	
 <b>PANEL WITHOUT THE STRIP</b>	PANEL I+				
	DIMENSIONS	PRICE GROUP 2 FABRIC	PRICE GROUP 4 FABRIC	ORGANISER STRIP	
				ONE-SIDED	TWO-SIDED
	1200 × 520 mm	255	290	84	168
	1400 × 520 mm	285	330	96	192
1600 × 520 mm	315	370	108	216	
1800 × 520 mm	345	410	120	240	

SILEO MOBILE PANEL			
	DIMENSIONS	PRICE GROUP 2 FABRIC	PRICE GROUP 4 FABRIC
	575 mm	90	105
	675 mm	100	120
	775 mm	110	135

ACCESSORIES		
	NAME	PRICE
	Horizontal document (A4) shelf	45
	Binder shelf	53
	Magnetic board with pencil tray	22
	Pencil box	23
	Screen handle	price on request



# Formo

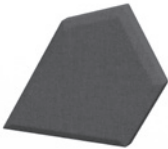

# Description

Formo panels are a line of light felt acoustic panels that are available in two versions:

- panels with a shape that resembles an irregular pentagon, with dimensions 518 × 361 mm and thickness 43 mm (Formo I),
- square panels with dimensions 450 × 450 mm and thickness 60 mm with a visible 3D motif (Formo II).

The panels are made of thermoformed felt that can be optionally covered with fabric.

Panels are assembled to the wall using a special mounting bracket, which consists of two parts: one is permanently assembled to the panel, while the other one is fixed directly to the wall. The two parts are joined together with a Velcro fastening. The mounting bracket can be fixed with either double-sided tape attached to the set or screws (screws are not included in the set; when choosing the right screws it is necessary to take into account the type of wall to which the panels will be assembled).

MODEL	DIMENSIONS [in mm]	THICKNESS [in mm]	PRICE [EUR]	
			PET FELT	FABRIC SYNERGY
Formo I 	518 × 361	43	55	90
Formo II 	450 × 450	60	60	95

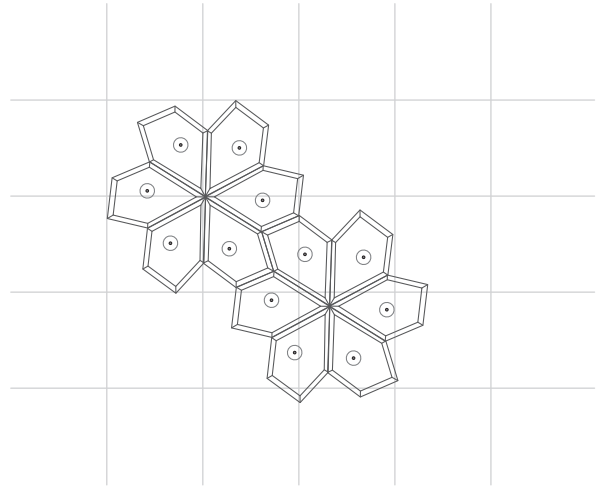
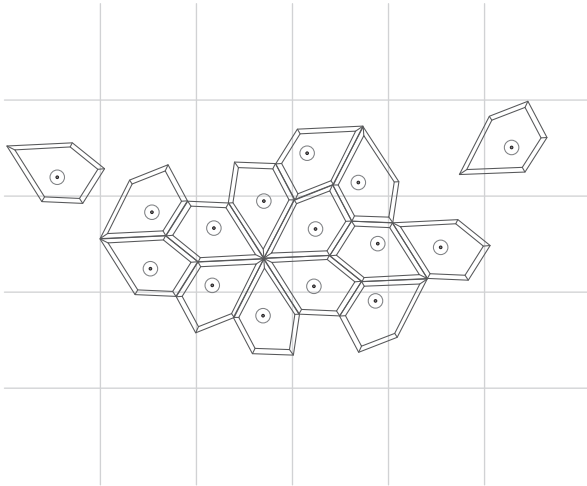
Sample order:

FORMO WALL PANEL I (W:518 H:361 TH:43 F:**FC01**)

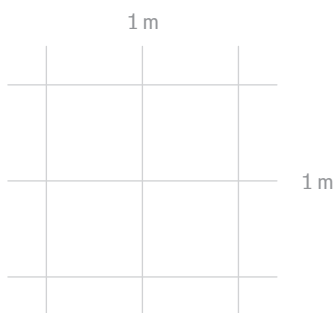
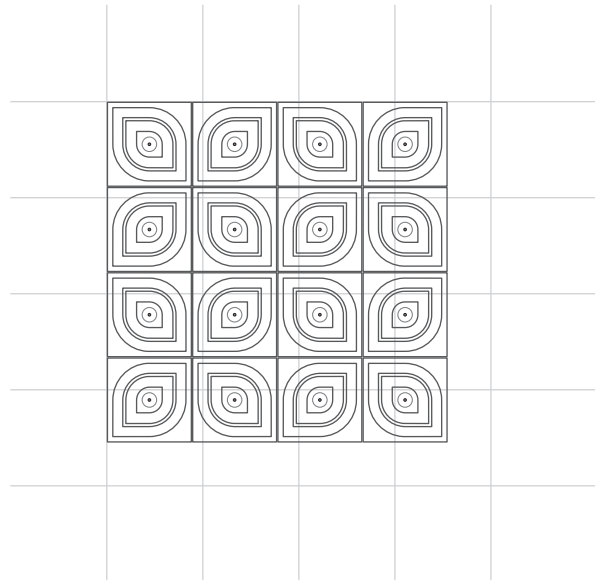
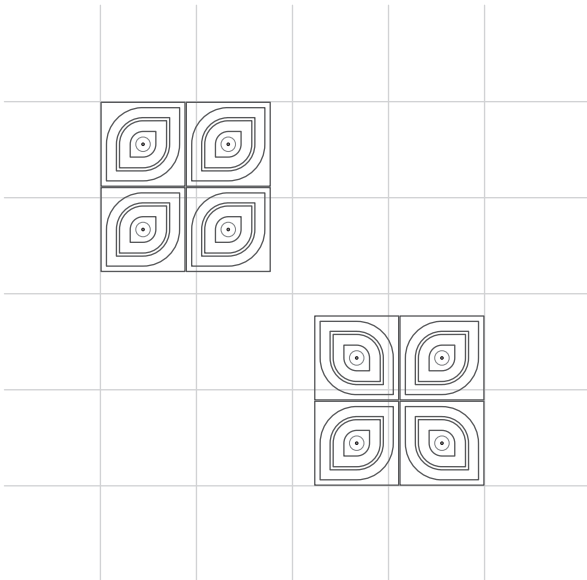
FORMO WALL PANEL II (W:450 H:450 TH:60 F:**LDS05**)



## FORMO I



## FORMO II



# Electrical sockets

<b>GE</b>		<p>Austria, Saudi Arabia, Bosnia and Herzegovina, Bulgaria, Croatia, Egypt, Finland, Greece, Holland, Iran, Ireland, Iceland, Israel, Luxembourg, Germany, Norway, Poland, Portugal, Romania, Spain, Sweden, Slovenia, Turkey, Hungary</p>
<b>FR</b>		<p>Saudi Arabia, Belgium, Czech Republic, France, Monaco, Poland, Russia, Slovakia</p>
<b>GB</b>		<p>Cyprus, Dubai, Iraq, Ireland, India, Malta, United Kingdom</p>
<b>CH</b>		<p>Switzerland</p>

# Finishes

# Finishes

## Easy Space & eModel

### Melamine + 1



\*Melamine available with option: laser edge

\*\*Melamine available only for elements with 18mm thickness (cabinets/pedestals fronts, all panels for desks).

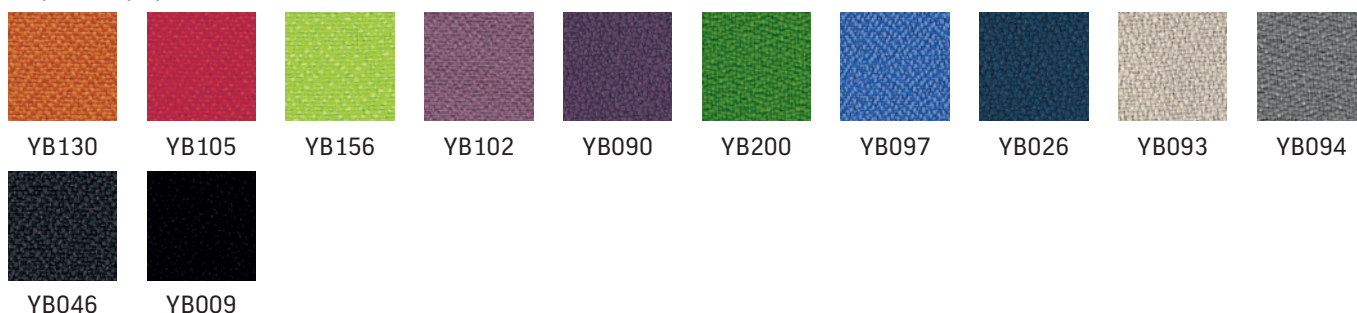
### Bondai + 3 (price group 1)

Only for Easy Space



### Lucia + 3 (price group 1)

Only for Easy Space



### Era + 3 (price group 2)

Only for eModel

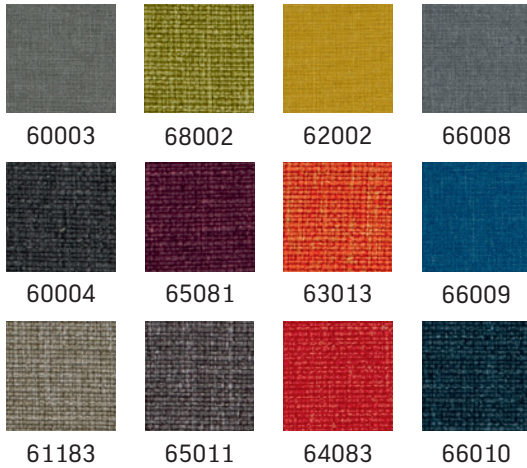


Nowy Styl Group reserves the rights to change the constructional features, upholsteries and prices of products.

## Easy Space & eModel

### Xpress + 3 (price group 2)

Only for eModel



### Xtreme + 3 (price group 2)

Only for eModel



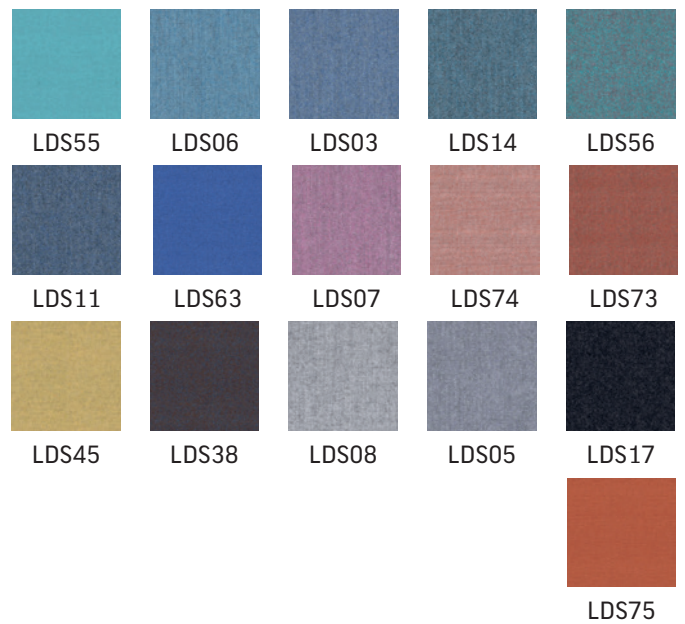
### Blazer + 3 (price group 4)

Not applicable for Easy Space pinboards

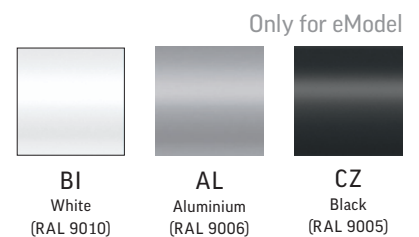
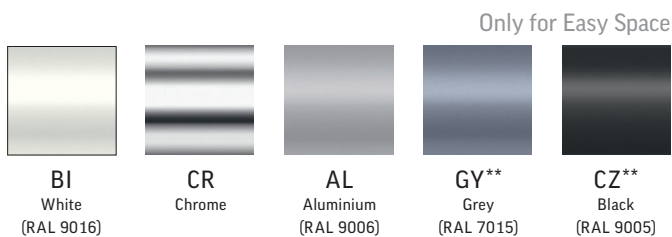


### Synergy (price group 4)

Not applicable for Easy Space pinboards



### Metal



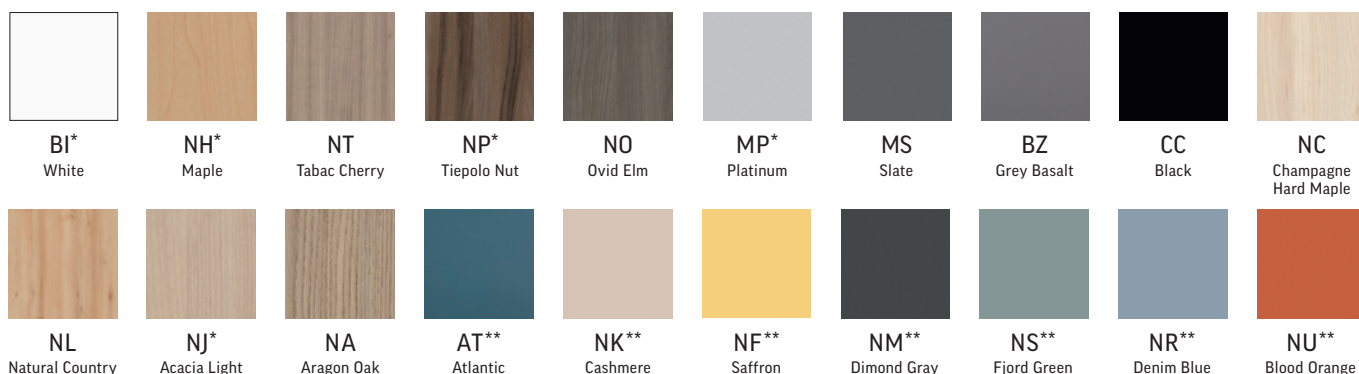
\*\*Only for Easy Space desks with round and square legs

The colours of products and finishes may slightly differ from the colours printed in the price list.

# Finishes

## Play&Work

### Melamine + 1



\*Melamine available with option: laser edge

\*\*Melamine available only for elements with 18 mm thickness.

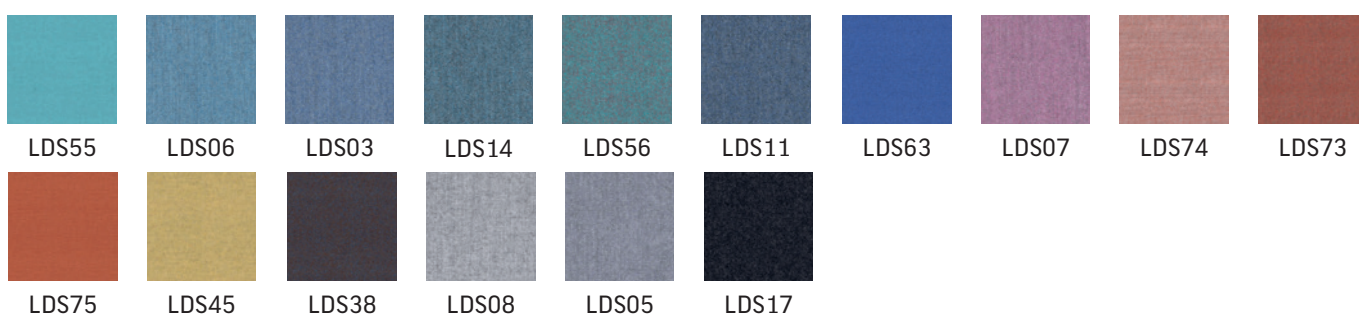
### Laminate HPL + 6



### Blazer + 3 (price group 4)



### Synergy (price group 4)

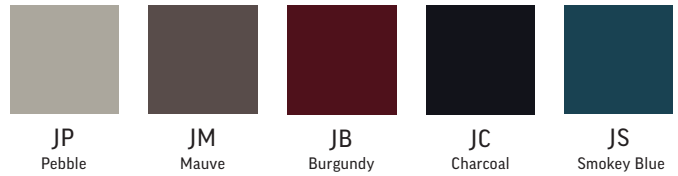


Nowy Styl Group reserves the rights to change the constructional features, upholsteries and prices of products.

# Finishes

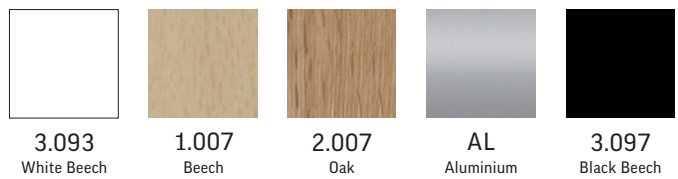
## Play&Work

### Linoleum



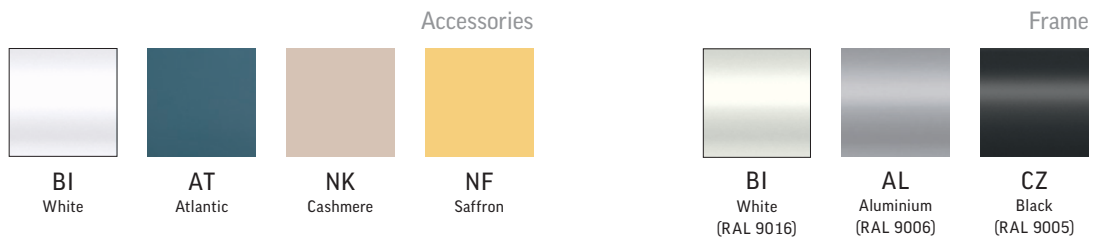
### Metal/Wood

#### Handle



### Metal

#### Frame



### Leather

#### Accessories



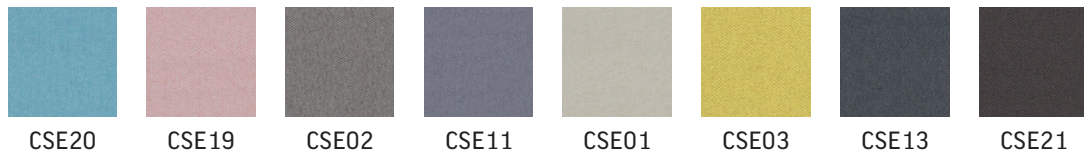
The colours of products and finishes may slightly differ from the colours printed in the price list.



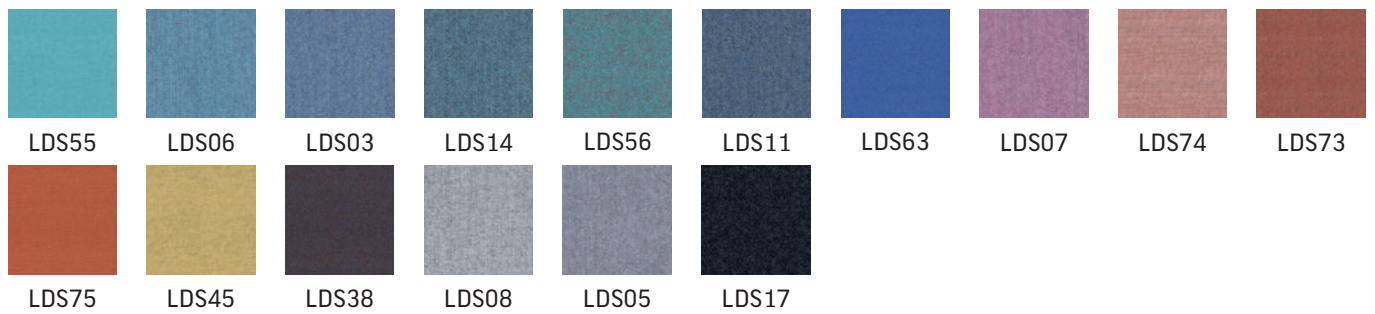
# Finishes

## Levitate

### Era



### Synergy



### Melamine

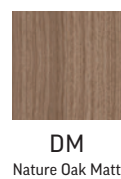


\*Available only in 12 mm thickness (applies to seats)

### Linoleum



### Veneer + 5

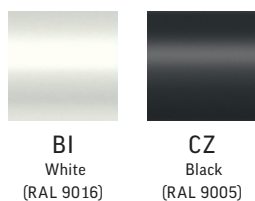


### Wood

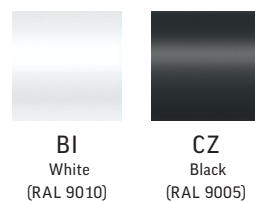


## Metal

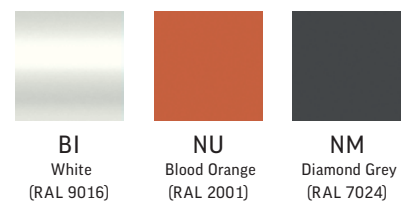
### Furniture



### Seats



### Accessories



Nowy Styl Group reserves the rights to change the constructional features, upholsteries and prices of products.



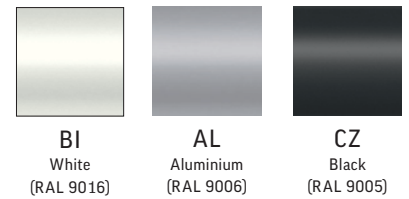
## SQart Workstation

### Melamine + 1



\*Melamine available with option: laser edge  
\*\*Melamine available only for elements with 18 mm thickness (cabinets/pedestals fronts, all panels for desks and Workbench).

### Metal



### Wood

Handle



### Glass

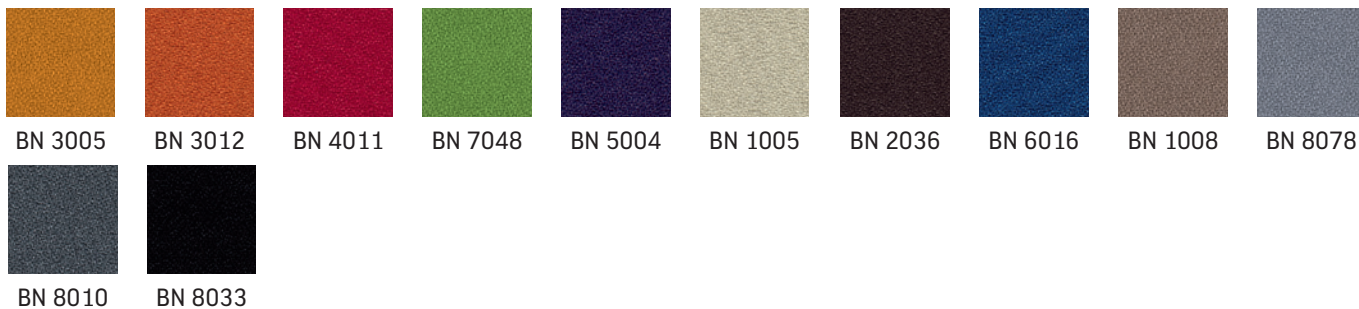


The colours of products and finishes may slightly differ from the colours printed in the price list.

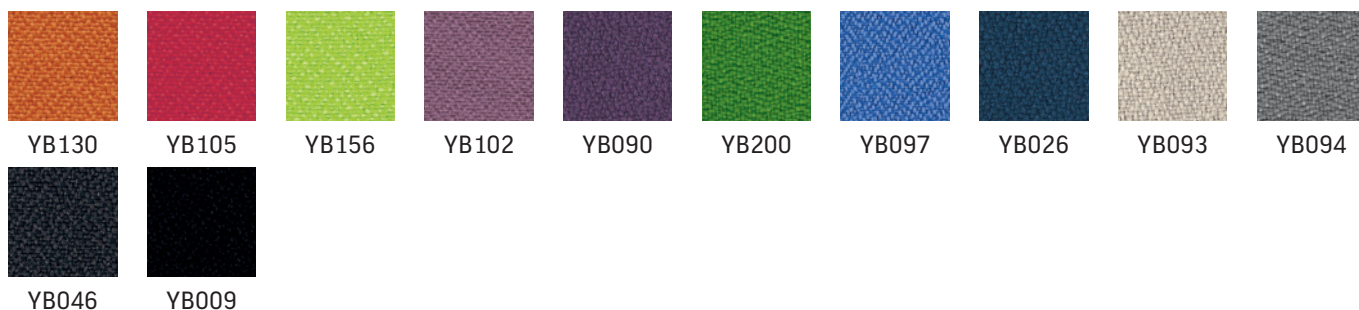
# Finishes

## SQart Workstation

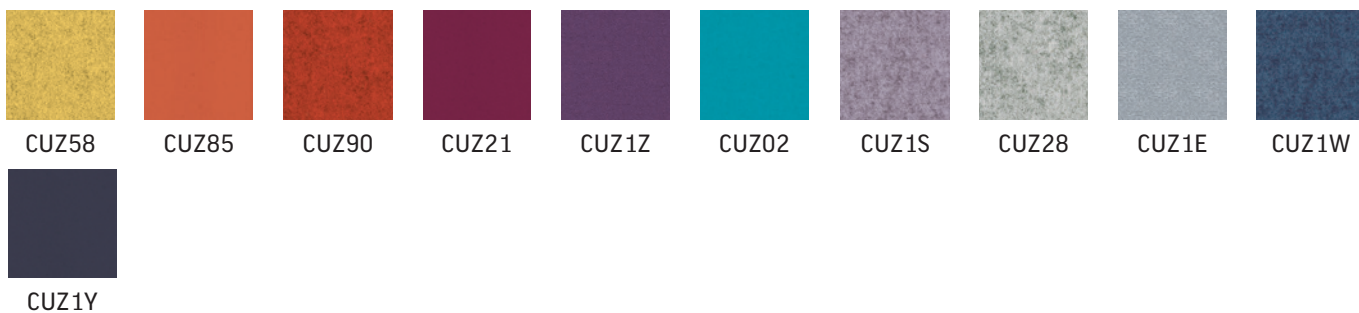
### Bondai + 3 (price group 1)



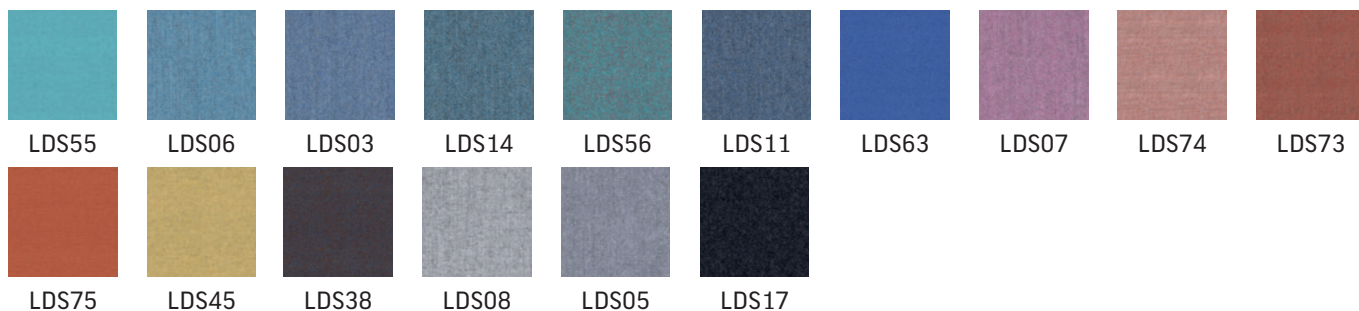
### Lucia + 3 (price group 1)



### Blazer + 3 (price group 4)



### Synergy (price group 4)



## SQart Managerial

### Veneer + 5

Open pore veneers



Carefully read important information about veneered furniture on page 415.



**OA**  
American Nut



**BC**  
Bamboo



**DN**  
Nature Oak

### Veneer + 4

Closed pore veneers | Geschlossenes Echtholz furnier | Placage bois pores fermés



Veneer furniture colour matching wood/plywood sofas/chairs colour:  
CB Veneer = 1.032 (Colombo)  
LV Veneer = 1.076 (Havana)



**LN**  
Beech Nature



**CB**  
Beech Colombo

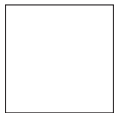


**LK**  
Classic Cherry



**LV**  
Beech Havana

### Melamine + 1



**BI\***  
White



**NB\***  
Beech Bright



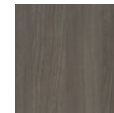
**NH\***  
Maple



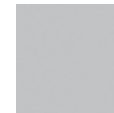
**NT\***  
Tabac Cherry



**NP**  
Tiepolo Nut



**NO\***  
Ovid Elm



**MP\***  
Platinum



**MS**  
Slate



**BZ**  
Grey Basalt



**CC**  
Black



**AT\*\***  
Atlantic



**NK\*\***  
Cashmere



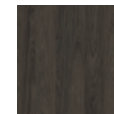
**NF\*\***  
Saffron



**NC**  
Champagne  
Hard Maple



**NL**  
Natural Country  
Beech



**NV**  
Brown Hickory



**MB\***  
White Grey



**NJ\***  
Acacia Light



**NA**  
Aragon Oak

\*Melamine available with option: laser edge

\*\*Melamine available only for elements with 18 mm thickness (cabinets/pedestals fronts, all panels for desks and Workbench).

### Metal



**BI**  
White  
(RAL 9016)



**AL**  
Aluminium  
(RAL 9006)



**CZ**  
Black  
(RAL 9005)

### Glass



**ST**  
Satino White

The colours of products and finishes may slightly differ from the colours printed in the price list.

# Finishes

## CX 3200

### Laminate HPL + 6

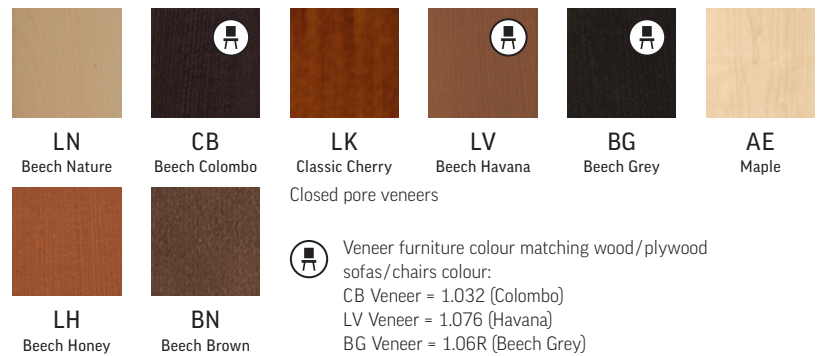


### Veneer + 5



**i** Carefully read important information about veneered furniture on page 415.

### Veneer + 4

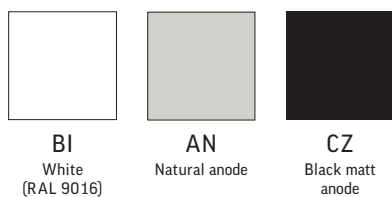


### Melamine + 1 (only modesty panels)



Please note that for laminate table top wood decor finishes we do not guarantee the coherence and continuity of grain in areas where patterns of two table tops meet. For veneered table tops, sending final arrangement drawing with order is required, only then we can guarantee the coherence and continuity of grain.

### Bases



# Finishes

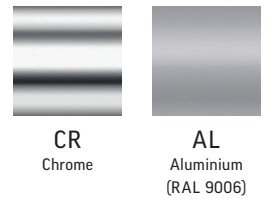
## Flib & Tinto

### Melamine



### Metal

Only for Flib



The colours of products and finishes may slightly differ from the colours printed in the price list.

# Finishes

## eRange

### Veneer + 5



OA  
American Nut



BC  
Bamboo



DN  
Nature Oak

Open pore veneers



Carefully read important information about veneered furniture on page 415.

### Veneer + 4



LN  
Beech Nature



CB  
Beech Colombo



LK  
Classic Cherry



LV  
Beech Havana



BG  
Beech Grey



AE  
Maple



LH  
Beech Honey



BN  
Beech Brown

Closed pore veneers



Veneer furniture colour matching wood/plywood sofas/chairs colour:

CB Veneer = 1.032 (Colombo)

LV Veneer = 1.076 (Havana)

BG Veneer = 1.06R (Beech Grey)

### Melamine + 1



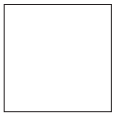
MS  
Slate

### Leather

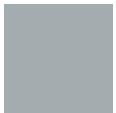


S1  
SD01

### MDF / Glass



FI/SI  
White  
(RAL 9003)



FS/SS  
Grey  
(RAL 7012)



FG/SG  
Black  
(RAL 7021)

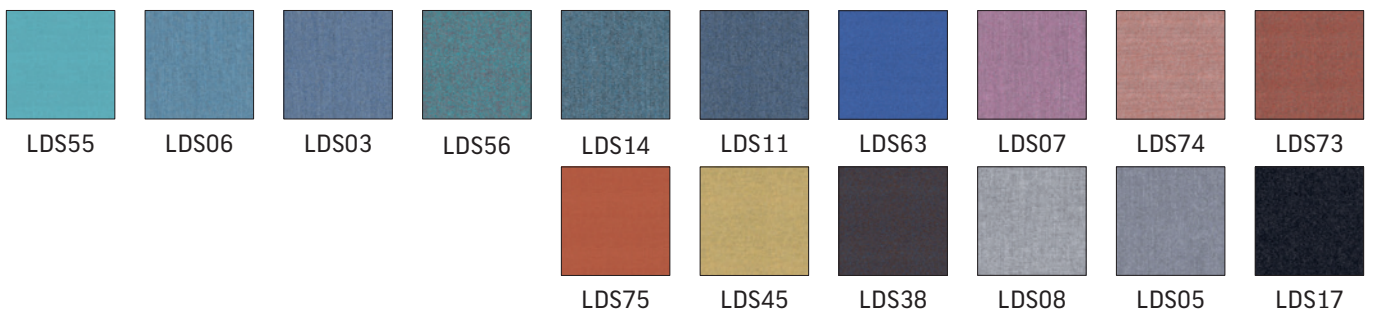
# Finishes

## Sand

### Blazer + 3 (price group 4)



### Synergy + 3 (price group 4)



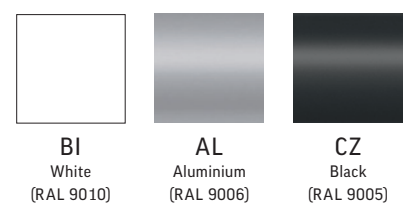
### Melamine + 1



### Laminate HPL + 6



### Metal



The colours of products and finishes may slightly differ from the colours printed in the price list.



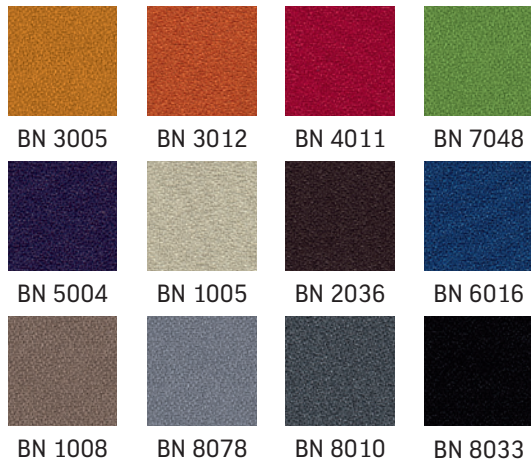
# Finishes

## Check-in, Velum

### Melamine + 1



### Bondai + 3 (price group 1)



### Lucia + 3 (price group 1)



### Laminate HPL + 6

Only for Velum

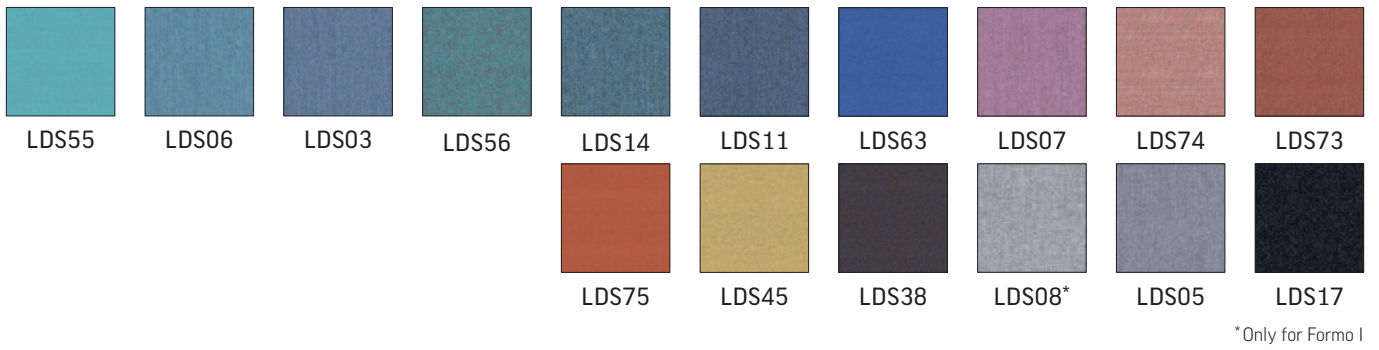




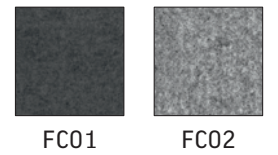
# Finishes

## Formo

Synergy + 3 (price group 4)



## PET Felt



The colours of products and finishes may slightly differ from the colours printed in the price list.

# Finishes

## Sileo

### Xpress (price group 2)



### Blazer (price group 4)



### Synergy + 3



## Metal

### Organisational strip



BI  
White

### Panel handle



BI  
White  
(RAL 9016)

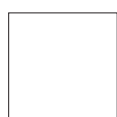


AL  
Aluminium  
(RAL 9006)



CZ  
Black  
(RAL 9005)

### Accessories\*



BI  
White



AT  
Atlantic



NK  
Cashmere



NF  
Saffron

\* The FLO screen handle available in BI-White only

Nowy Styl Group reserves the rights to change the constructional features, upholsteries and prices of products.

## 1. Prices

This price list is EXP/CZ/SKressed in EURO and takes effect as of 01/04/2018. All previous price lists now become invalid. Prices are exclusive of delivery and installation/assembly. The costs of installation will be invoiced at fixed prices. Prices do not include value-added tax. Please note that some chairs are sold assembled. In such situations Nowy Styl sp. z o.o. (further referred to as NSG) does not charge an additional fee for installation/assembly.

## 2. Orders

All orders must be submitted in a written form such as by fax, e-mail etc. to avoid errors or duplication. Orders can be placed via EDI after mutual agreement.

Written orders will be accepted in the form of a signed and approved seller's proposal or in the form of a buyer's purchase order. No phone orders will be accepted. Orders for standard or non-standard products cannot be changed or cancelled once the order had been confirmed in writing by NSG.

### Shipping delays:

Shipping date specified in seller's proposal is seller's best estimation of shipping date at the time of proposal. However, the seller shall not be held responsible to the purchaser for failure to ship by a particular date unless the seller has agreed to an EXP/CZ/SKlicit shipping date in a separate written document signed by seller's authorized officer.

### Shipping suspension:

In the event if the purchaser defaults in any payment due to the seller, the seller shall have the right, after prior notice to the purchaser, to defer or discontinue shipment of any goods permanently or until such time as the default is corrected or the purchaser provides assurance of payment in such form, content and/or amount as the seller deems adequate.

## 3. Delivery

Deliveries will take place ex-factory unless otherwise EXP/CZ/SKressly agreed. Products are dispatched wrapped in standard packaging. The goods are delivered according to NSG practices unless specific packing, labeling,

marking or means of transportation are requested by the buyer and confirmed by NSG. The confirmed delivery date is an estimated date only. NSG cannot be held responsible for any loss that the buyer may suffer due to a delayed delivery or lack of delivery.

## 4. Payment

Terms of payment shall be agreed with the buyer. Unless otherwise agreed, payment for a consignment must be effected in accordance with the payment terms indicated on commercial invoice and order confirmation.

NSG reserves the ownership of all goods sold, which are EXP/CZ/SKlicitly described on order confirmation, until the purchase amount has been paid in full. The buyer is responsible to NSG for any damage that the goods sold may suffer, until the goods have been paid for. Unless otherwise agreed, payments shall be made in the currency referenced on the invoice.

Transfer of payments shall be made by electronic means directly to NSG bank account. Should any change occur in buyer's financial and economic position, and NSG deems buyer's solvency situation to be changed, NSG may require immediate or earlier payment.

## 5. Complaints and deficiencies

The buyer is obliged to inspect the consignment immediately upon receipt. Complaints and/or visible damages in transport, if any, shall be specified on delivery note/waybill immediately upon receipt of the goods and shall be reported to the carrier immediately.

Complaints concerning damages in transport that are not visible shall be made in writing and received by NSG no later than 7 days from the date of delivery. The buyer has no right to return goods without NSG approval. Returned goods shall only be accepted if a prior written agreement has been made. The goods should be carefully packaged when being returned.

Once the risk of the goods has passed to the buyer, NSG is no longer responsible for any damage that may occur, with the exception of product liability (injury caused by a defective product manufactured by NSG). NSG cannot be held responsible for any indirect losses, e.g. loss of profits or loss due to time factors, which the

buyer may have suffered as a consequence of defects and deficiencies.

For complaints made within the warranty period NSG demands a description of the defect or deficiency to be made in writing by the customer. In order to file a complaint the customer should contact the person at NSG Customer Service Department who is responsible for the region. The customer is further required to supply a photo supporting the description or to return the product. NSG shall consider the complaint within maximum 7 working days. NSG shall not be liable as specified above if damages have been caused by incorrect or abnormal product use or storage under extreme temperatures and climate conditions, or in case of product use inconsistent with NSG instructions.

## 6. Warranty

Warranty period 5 years. (applicable to Office Furniture Collection catalogue products)

Manufacturer declares that the products shall be free from defects in material or workmanship. The warranty is given to the original purchaser only, for normal commercial usage.

Standard use/normal use is defined as the wear which occurs in an office environment during the course of a normal eight-hour work day with weight limitation not exceeding 110 kg. We will replace, to the original purchaser only, any defects in products, parts or components resulting from normal single - shift use. Natural wear and tear of fabrics, products, parts and components is not covered by the warranty. The warranty does not cover labour, freight/shipping-handling charges, or damages caused by neglect, abuse, misuse, alterations or damage caused by shipment, fire, flood or other natural disasters.

Detailed terms of warranty are available at: [www.nowystylgroup.com/warranty](http://www.nowystylgroup.com/warranty)

To make a complaint please contact a designated person at NSG Customer Service Department, otherwise write directly to:

[EXP/CZ/SKort@nowystylgroup.com](mailto:EXP/CZ/SKort@nowystylgroup.com).

Collect as much information about the problem (description of the situation, photos) and send it in along with a copy of your receipt. Based on that information an official complaint form will be sent back to you.

# Cleaning and maintenance

## How to make your Nowy Styl Group furniture comfortable and damage-free for a long time:

1. Products must be used in accordance with the purpose they are intended for. Only correct assembly carried out according to instructions included in the assembly manual of the specific product, and subsequent sensible operation in conformity with user manual and these guidelines can assure long life of the product;
  2. We pack our products very carefully, nevertheless the use of sharp tools to open packaging may cause damage to furniture;
  3. Dents and irregular folds on upholstered furniture are most often caused by packing and transportation. Please wait calmly – the problem is normally gone after no later than a couple of days from unpacking;
  4. Long life of office furniture is achieved when it is used in an office environment. Please try not to use our products at temperatures lower than 15°C and higher than 30°C. Relative air humidity should be kept between 35% and 70%;
  5. High temperatures are destructive to furniture. Please do not place or store furniture directly next to heat sources such as radiators. Furniture should be placed at least 1 m away from a heat source;
  6. Sunlight has a negative impact on the colour of materials furniture is made of. Prolonged EXP/CZ/SKosure of product to direct sunlight may result in local discolouration;
  7. Solvents and other chemicals as well as hot objects may damage furniture coatings. You can avoid tarnishes, discolouration and distortions by working with such objects and substances away from your furniture;
  8. Objects with sharp and rough edges may damage furniture. You are advised not to move or place such objects on furniture surface;
  9. Please use special caution when placing a heavy object on furniture. It may easily damage the surface. Upholstered furniture is particularly prone to deformation and denting;
  10. Do not stand on furniture or sit on armrests and backrests. It may be dangerous to both yourself and the product! It may cause an accident or damage furniture components;
  11. Loosened screws are a natural consequence of furniture use. Always act immediately if you notice that a screw has become loose. Please tighten all screws at least once every six months;
  12. The most comfortable way of moving a piece of furniture is to hold it by its vertical walls. Do not hold by fittings and handles not intended for carrying as you can easily damage the product;
  13. A desk or table should be lifted by its supporting structure, not by the top;
  14. Please move fixed furniture by lifting it up – moving it may cause damage to the furniture or floor.
  15. Before you start moving cabinets please remove their contents and lock doors and drawers;
  16. At least two people are required to move a piece of fixed furniture unless otherwise stated in assembly manual;
  17. One person is enough to move a piece of mobile furniture.
  18. Please exercise special caution when using furniture covered with natural veneer. It should be protected from contact with hot objects and chemicals, and sharp or heavy objects should not be moved on its surface. You are advised to use pads for mouse, keyboard and other heavy objects. In case of liquid spillage on furniture surface please immediately wipe away the liquid with a soft absorbent cloth;
  19. If you would like to move modular seats forming a set please first detach all components of the set. By moving individual components of a system separately you make sure they stay undamaged;
  20. A chair is intended to seat only one person (whose weight as prescribed by standards should be no more than 110 kg, for no longer than 8 hours a day) except for the chairs where EXP/CZ/SKressly stated otherwise;
  21. A sofa should not be used at the same time by more people than is provided for a given model (e.g. a 3-seater sofa must not be used by more than three people at a time);
  22. As a standard all swivel chairs come equipped with hard, self-locking castors designed for soft surfaces. Castors for hard surfaces are available optionally;
  23. Please use protective floor mats or get appropriate castors to avoid damaging the floor. The Manufacturer does not bear responsibility for damage to flooring caused by the use of products;
  24. Repair or replacement of a gas lift can only be carried out by specially trained staff. Do not dismantle, disassemble or heat the gas lift on your own. It may result in damage to the gas lift and oil spillage;
  25. Most of visitor chairs are stackable. For your own safety please do not stack chairs higher than as provided for in the instructions for the given model enclosed with this warranty.
- Curb weight and total weight of a product (including packaging) are indicated on the identification sticker located in an inconspicuous spot on the surface of the furniture.

**Please note:** damage caused to a piece of furniture as a result of non-observance of these guidelines provides a basis for rejection of any complaints.

### Veneer-coated, melamine-coated and lacquered surfaces

Materials used in the manufacture of furniture include natural wood – veneer, as well as wood-based materials – melamine coated and raw fine chipboards, lacquered fibreboards and lacquered MDF. These surfaces should be cleaned with a soft, dry or wet fabric, and then wiped dry.

### Wood, plastics and chromium plated elements

Please bear in mind that wood is very prone to moisture. Detergents for cleaning wooden surfaces should therefore be mixed with small amounts of warm water. After cleaning furniture surface please wipe it dry. Wood, aluminum and chromium plated elements should be cleaned with generally available non-scratching detergents intended for the specific type of finish.

### Glass tops

Glass tops must be cleaned with care detergents for cleaning glass and then polished with a dry, clean cloth.

### Leather

With proper care, leather products can be preserved in perfect condition for many years. Leather should not be wetted, oiled or treated with abrasives. All dirty stains should be removed immediately. First, leather should be cleaned with a cloth slightly moistened in a mild cleaning solution of water and soap. Next, the surface should be wiped dry delicately. Use of vacuum cleaner is not recommended as it may result in scratched surface of leather. If special care agents for leather are used, it is recommended that the effect of the agent should be tested on a piece of leather before cleaning.

### Fabrics

To avoid fading of fabric, chairs, armchairs and sofas should always be protected from direct sunlight. All stains must be removed immediately. When removing stains and dirt from upholstery fabric please use a moist cloth soaked in warm water and delicate cleaning liquid and shampoo intended for the particular type of stain on furniture upholstery. It is recommended that the effect of the detergent should be tested on a piece of upholstery in an inconspicuous spot before cleaning. Additionally, fabric upholstery requires regular dusting.

**Please note:** if improperly cleaned, furniture will wear much faster. Non-observance of these maintenance guidelines may provide a basis for rejection of any complaints.

## Important information about furniture in natural veneer

Veneer is a refined natural material with unique shades and patterns of wood rings.

Differences in the look of individual components of a piece of furniture or between furniture sets are a natural feature.

Small variations of surface colours are unavoidable and prove the natural origin of materials.

Morphological elements in the wood such as knots, uneven width of growth rings, presence of wood rays and colour differences are due to the natural origin of raw materials and determine the uniqueness of the product.

Moreover, EXP/CZ/SKosure to sunlight can lead to a change of veneer colour over time.

Depending on the intensity of sunlight, different pieces of veneered furniture may change their shade in different ways.

Those properties of veneer resulting from natural qualities of wood are not regarded as defects and may not be the cause of complaint.

Due to the natural properties of wood and natural veneer referred to above, when extra pieces of veneered furniture are ordered as a complement to a previously owned set, variations of wood ring patterns and colours as compared to the previously owned products may occur. Such variations between newly ordered and previously owned pieces of furniture may not be the cause of complaint.

To ensure patterns and shades are matched as well as possible across individual veneered elements, orders for natural veneer furniture must be placed at one time, on a single order form. This guarantees that the whole set of veneered furniture will be made from the same batch of raw materials.

It should be noted that veneer is a delicate material with low resistance to scratching.

All kinds of liquids and high temperature also have adverse effect on veneered surfaces.

Any damage caused by inappropriate use of furniture may not be the cause of complaint.





We KNOW HOW to  
**#MakeYourSpace**

[www.NowyStylGroup.com](http://www.NowyStylGroup.com)

